



ELECTRONICS, INC.
 44 FARRAND STREET
 BLOOMFIELD, NJ 07003
 (973) 748-5089
<http://www.nteinc.com>

NTE5742 & NTE5743 3 Phase Bridge Rectifier Modules

Description:

The NTE5742 and NTE5743 powerblock modules are designed for three-phase full wave rectification and contain six diodes connected in a three-phase bridge configuration. The mounting base of the module is electrically isolated from the semiconductor elements for simple heatsink construction.

Applications:

- Inverters for AC Motors
- Power Supply Units for DC Motors
- DC Power Supply Units for Battery Chargers
- General Purpose DC Power Supply Units

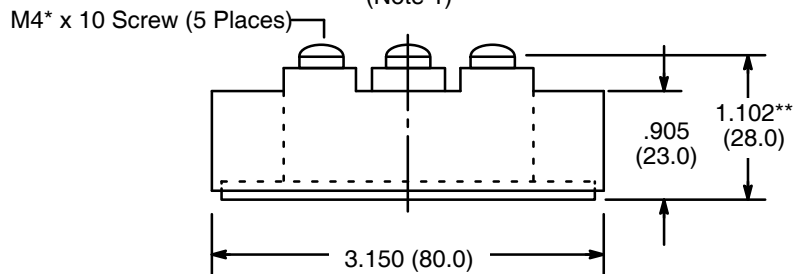
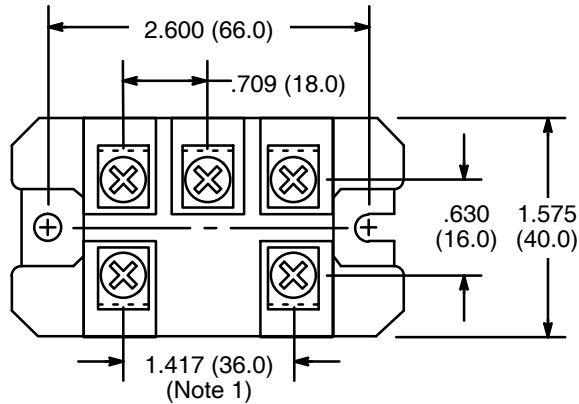
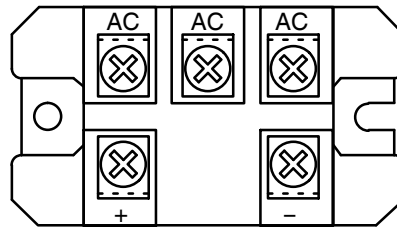
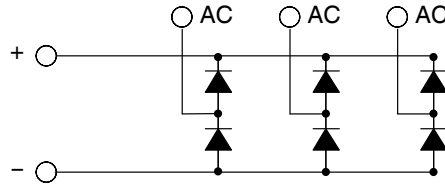
Absolute Maximum Ratings:

Repetitive Peak Reverse Voltage, V_{RRM}	
NTE5742	800V
NTE5743	1600V
Non-Repetitive Peak Reverse Voltage, V_{RSM}	
NTE5742	880V
NTE5743	1760V
Average Output Current (50/60Hz, Sinewave), I_D	
NTE5742 ($T_C = +101^\circ\text{C}$)	75A
NTE5743 ($T_C = +93^\circ\text{C}$)	75A
Surge Forward Current (Rated Load Conditions), I_{FSM}	1000A
Maximum I^2t for Fusing (Rated Load Conditions), I^2t	4000A ² sec
Operating Junction Temperature Range, T_J	-40° to +150°C
Storage Temperature Range, T_{stg}	-40° to +125°C
Isolation Breakdown Voltage (RMS, Main Terminal to Case, 1sec), V_{ISO}	2500V
Thermal Resistance, Junction-to-Case, R_{thJC}	
(50/60Hz Sinewave, Thermal Resistance for Total Loss)	0.30°C/W
Thermal Resistance (With Thermal Compound), R_{thCF}	0.06°C/W

Electrical Characteristics:

Parameter	Symbol	Test Conditions	Rating	Unit
Maximum Repetitive Peak Reverse Current NTE5742	I_{RRM}	$T_J = +150^{\circ}\text{C}, V_{RRM} = 800\text{V}$	10	mA
NTE5743		$T_J = +150^{\circ}\text{C}, V_{RRM} = 1600\text{V}$	8	mA
Maximum Forward Voltage Drop NTE5742	V_{FM}	$T_J = +25^{\circ}\text{C}, I_{FM} = 100\text{A}$	1.15	V
NTE5743		$T_J = +25^{\circ}\text{C}, I_{FM} = 75\text{A}$	1.30	V

Circuit Diagram



*NTE5743 = M5 not M4 **NTE5743 = 1.299 (33)

Note 1. Screws may be closer together at: 1.190 (30.0)

X-ON Electronics

Largest Supplier of Electrical and Electronic Components

Click to view similar products for [Bridge Rectifiers](#) category:

Click to view products by [NTE manufacturer](#):

Other Similar products are found below :

[G3SBA60-E351](#) [GBJ1504-BP](#) [GBU10B-BP](#) [GBU15J-BP](#) [GBU15K-BP](#) [GBU4A-BP](#) [GBU4D-BP](#) [GBU6B-E3/45](#) [GSIB680-E3/45](#) [DB101-BP](#) [DF10SA-E345](#) [RMB2S](#) [RCG](#) [APT30DF100HJ](#) [APT60DF20HJ](#) [B2S-E3/80](#) [BU1506-E351](#) [BU15085S-E345](#) [BU1508-E3/45](#) [BU1510-E3/45](#) [RS404GL-BP](#) [RS405GL-BP](#) [G3SBA20-E3/51](#) [G5SBA20-E3/51](#) [G5SBA60-E3/51](#) [GBJ1502-BP](#) [GBL02-E351](#) [GBL10-E3/45](#) [GBU10J-BP](#) [GBU4J-BP](#) [GBU4K-BP](#) [GBU8B-E3/45](#) [GBU8D-BP](#) [GBU8J-BP](#) [GSIB1520-E3/45](#) [MB1510](#) [MB352W](#) [MB6M-G](#) [B2M-E345](#) [B40C7000A](#) [B500C7000A](#) [MP5010W-BP](#) [MP501W-BP](#) [MP502-BP](#) [BR1005-BP](#) [BR101-BP](#) [BU1006-E345](#) [BU12065S-E3/45](#) [BU1508-E3/51](#) [BU2006-E3/45](#) [BU2008-E345](#)