

## NTE575 General Purpose Silicon Rectifier Fast Recovery

**Features:**

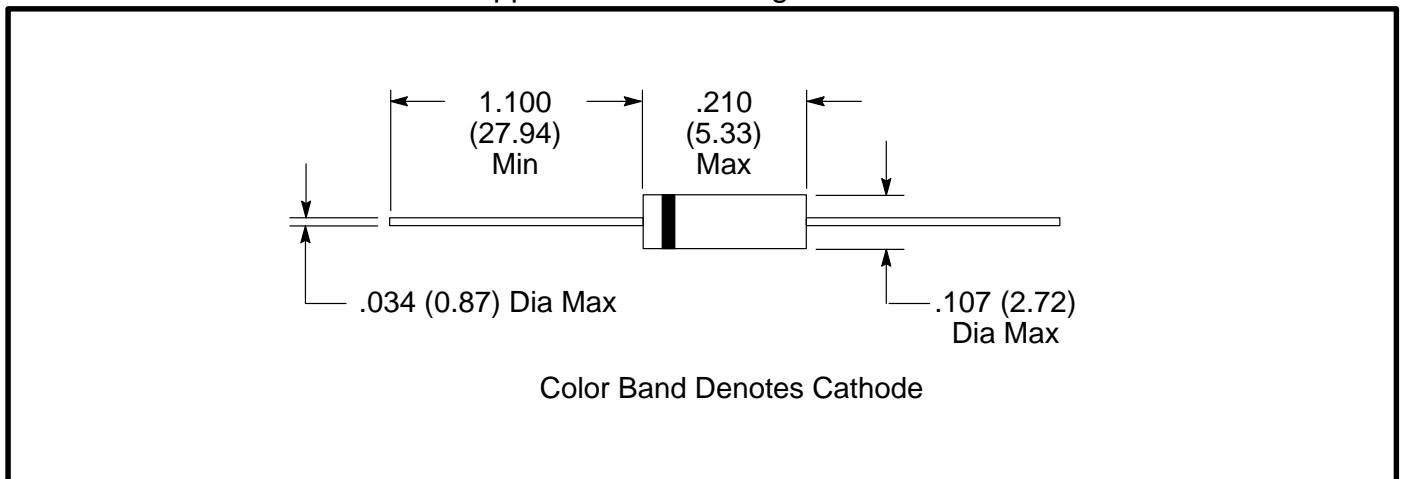
- Low Switching Noise
- Low Forward Voltage Drop
- Low Thermal Resistance
- High Current Capability
- High Switching Capability
- High Surge Capability
- High Reliability

**Maximum Ratings and Electrical Characteristics:**

( $T_A = +25^\circ\text{C}$  unless otherwise specified. Single Phase, half wave, 60Hz, resistive or inductive load. For capacitive load, derate current by 20%)

Maximum Recurrent Peak Reverse Voltage, $V_{RRM}$ .....	1000V
Maximum RMS Voltage, $V_{RMS}$ .....	700V
Maximum DC Blocking Voltage, $V_{DC}$ .....	1000V
Maximum Average Forward Rectified Output Current ( $T_A = +55^\circ\text{C}$ ), $I_{(AV)}$ .....	1A
Peak Forward Surge Current, $I_{FSM}$ (8.3ms single half sine wave superimposed on rated load) .....	35A
Maximum Instantaneous Forward Voltage (At 1A), $V_F$ .....	1.5V
Maximum DC Reverse Current ( $V_{DC} = 1000\text{V}$ ), $I_R$ .....	50 $\mu\text{A}$
Maximum Reverse Recovery Time ( $I_F = 0.5\text{A}$ , $I_R = 1\text{A}$ , $I_{RR} = 0.25\text{A}$ ), $t_{rr}$ .....	70ns
Typical Junction Capacitance (Note 1), $C_J$ .....	15pF
Thermal Resistance, Junction-to-Air ( $^{\circ}\text{W}/\text{fin}$ ), $R_{thJA}$ .....	50 $^{\circ}\text{C}/\text{W}$
Operating Junction Temperature Range, $T_J$ .....	-65 $^{\circ}$ to +150 $^{\circ}\text{C}$
Storage Temperature Range, $T_{stg}$ .....	-65 $^{\circ}$ to +150 $^{\circ}\text{C}$

Note 1. Measured at 1MHz and applied reverse voltage of 4V.



## X-ON Electronics

Largest Supplier of Electrical and Electronic Components

*Click to view similar products for [nte manufacturer](#):*

Other Similar products are found below :

[747](#) [797](#) [868](#) [1724](#) [NEH680M50FE](#) [NEHH1.0M450CB](#) [NTE48](#) [NTE526A](#) [228A](#) [231](#) [954](#) [2023](#) [510](#) [R04-11A30-120](#) [04-SLPE3750A](#)  
[5615](#) [591](#) [7056](#) [NTE5710](#) [7448](#) [NEH.10M50AA](#) [NEH2.2M63AA](#) [NEH330M35DD](#) [NEH33M10AA](#) [NEV.22M100AA](#) [TP0006-100](#)  
[NTE182](#) [NTE528](#) [NTE542](#) [NTE74154](#) [WH20-02-25](#) [04-SCBW25L-BK](#) [04-SCBW32L-BK](#) [04-SCW10C-BK](#) [04-SCBW19L-GR](#) [04-](#)  
[SCW19L-WH](#) [04-SCW19L-OR](#) [04-SCW38L-WH](#) [04-SCBW50L-OR](#) [04-SCBW50L-GR](#) [04-SCW10C-GR](#) [04-SCW10C-OR](#) [04-SCBW32L-](#)  
[GR](#) [04-SCBW32L-WH](#) [04-SCBW32L-OR](#) [04-SCBW6C-WH](#) [04-SCBW6C-GR](#) [04-SCBW6C-OR](#) [04-SCBW25L-GR](#) [04-SCBW25L-WH](#)