

## NTE615P Integrated Circuit Voltage Stabilizer for Electronic Tuner

**Description:**

The NTE615P is a monolithic integrated voltage stabilizer in a TO92 type package designed for use as a voltage supplier for electronic tuners.

**Features:**

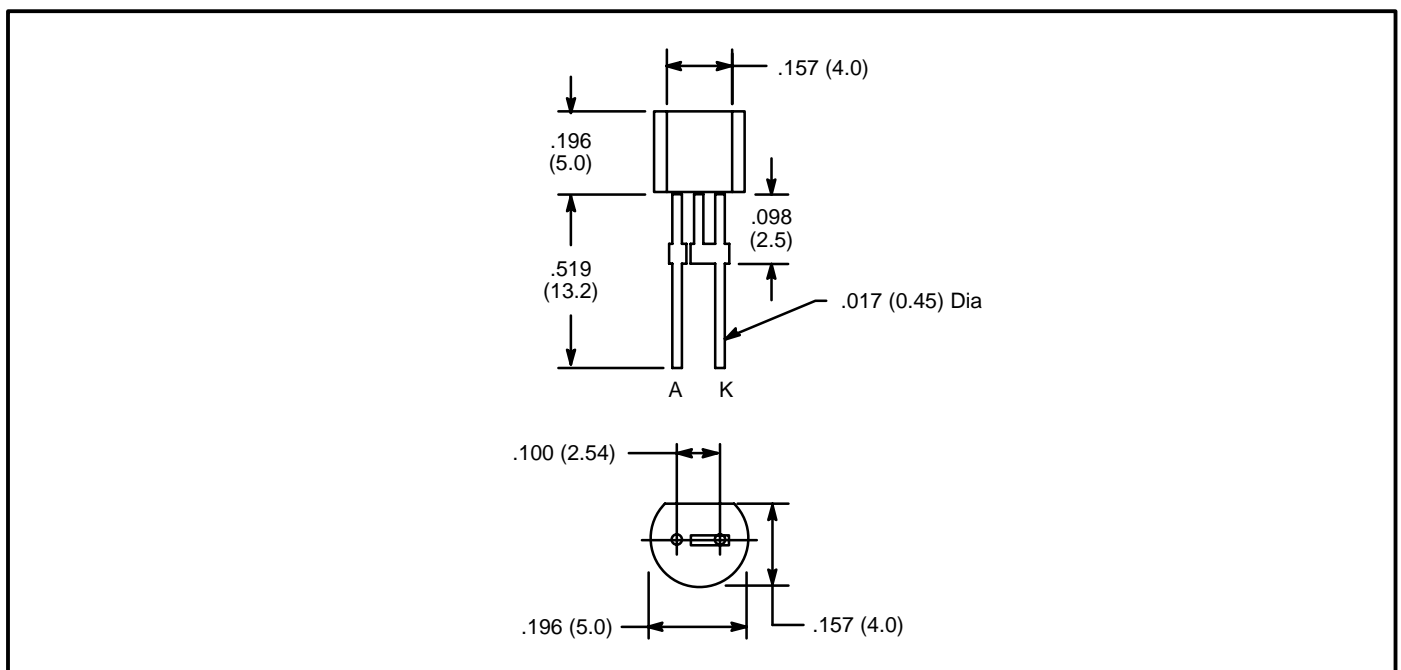
- Low Temperature Coefficient
- Low Dynamic Resistance
- Typical Reference Voltage of 33V

**Absolute Maximum Ratings:** ( $T_A = +25^\circ\text{C}$  unless otherwise specified)

Zener Current,  $I_Z$  ..... 10mA  
 Power Dissipation ( $T_A = +75^\circ\text{C}$ ),  $P_D$  ..... 200mW  
 Operating Ambient Temperature Range,  $T_{opr}$  .....  $-20^\circ$  to  $+75^\circ\text{C}$   
 Storage Temperature range,  $T_{stg}$  .....  $-40^\circ$  to  $+125^\circ\text{C}$

**Electrical Characteristics:** ( $I_Z = 5\text{mA}$ ,  $T_A = +25^\circ\text{C}$  unless otherwise specified)

Parameter	Symbol	Test Conditions	Min	Typ	Max	Unit
Stabilized Voltage	$V_Z$		31	–	35	V
Stabilized Voltage Temperature Drift	$\Delta V_Z/\Delta T$	$T_A = -20^\circ$ to $+75^\circ\text{C}$	-1.0	0	+1.0	mV/ $^\circ\text{C}$
Dynamic Resistance	$r_z$	$I_{AC} = 0.5\text{mA}$ , $f = 1\text{kHz}$	–	10	25	$\Omega$



## X-ON Electronics

Largest Supplier of Electrical and Electronic Components

*Click to view similar products for [Linear Voltage Regulators](#) category:*

*Click to view products by [NTE](#) manufacturer:*

Other Similar products are found below :

[LV56831P-E](#) [LV5684PVD-XH](#) [MAX202ECWE-LF](#) [MCDTSA6-2R](#) [L4953G](#) [L7815ACV-DG](#) [PQ3DZ53U](#) [LV56801P-E](#)  
[TCR3DF13,LM\(CT](#) [TCR3DF39,LM\(CT](#) [TLE42794G](#) [L78L05CZ/1SX](#) [L78LR05DL-MA-E](#) [L78MR05-E](#) [033150D](#) [033151B](#) [090756R](#)  
[636416C](#) [NCV78M15BDTG](#) [702482B](#) [714954EB](#) [TLE42794GM](#) [TLE42994GM](#) [ZMR500QFTA](#) [BA033LBSG2-TR](#)  
[NCV78M05ABDTRKG](#) [NCV78M08BDTRKG](#) [NCP7808TG](#) [NCV571SN12T1G](#) [LV5680P-E](#) [CAJ24C256YI-GT3](#) [L78M15CV-DG](#) [L9474N](#)  
[TLS202B1MBV33HTSA1](#) [L79M05T-E](#) [NCP571SN09T1G](#) [MAX15006AASA/V+](#) [MIC5283-5.0YML-T5](#) [L4969URTR-E](#) [L78LR05D-MA-E](#)  
[NCV7808BDTRKG](#) [L9466N](#) [NCP7805ETG](#) [SC7812CTG](#) [NCV7809BTG](#) [NCV571SN09T1G](#) [NCV317MBTG](#) [MC78M15CDTT5G](#)  
[MC78M12CDTT5G](#) [L9468N](#)