



ELECTRONICS, INC.
 44 FARRAND STREET
 BLOOMFIELD, NJ 07003
 (973) 748-5089
<http://www.nteinc.com>



NTE966 Integrated Circuit 3-Terminal Positive Voltage Regulator, 12V

The NTE966 fixed-voltage regulator is a monolithic integrated circuit in a TO220 type package designed for use in a wide variety of applications including local, on-card regulation. This regulator employs internal current limiting, thermal shutdown, and safe-area compensation. With adequate heat-sinking it can deliver output currents in excess of 1.0 ampere.

Features:

- Output Current in Excess of 1.0 Ampere
- No External Components Required
- Internal Thermal Overload Protection
- Internal Short-Circuit Current Limiting
- Output Transistor Safe-Area Compensation

Absolute Maximum Ratings: ($T_A = +25^\circ\text{C}$ unless otherwise specified)

Input Voltage, V_{in}	35Vdc
Power Dissipation ($T_A = +25^\circ\text{C}$), P_D	Internally Limited
Derate above $+25^\circ\text{C}$	15.4mW/ $^\circ\text{C}$
Power Dissipation ($T_C = +25^\circ\text{C}$), P_D	Internally Limited
Derate above $+75^\circ\text{C}$	200mW/ $^\circ\text{C}$
Thermal Resistance, Junction-to-Ambient, R_{thJA}	65 $^\circ\text{C}/\text{W}$
Thermal Resistance, Junction-to-Case, R_{thJC}	5 $^\circ\text{C}/\text{W}$
Operating Junction Temperature Range, T_J	-55 $^\circ$ to +150 $^\circ\text{C}$
Storage Junction Temperature Range, T_{stg}	-65 $^\circ$ to +150 $^\circ\text{C}$

Electrical Characteristics: ($V_{in} = 19\text{V}$, $I_O = 500\text{mA}$, $T_J = 0^\circ$ to +125 $^\circ\text{C}$ unless otherwise specified)

Parameter	Symbol	Test Conditions	Min	Typ	Max	Unit	
Output Voltage	V_O	$T_J = +25^\circ\text{C}$	11.5	12.0	12.5	V	
		$5\text{mA} \leq I_O \leq 1\text{A}$, $P_O \leq 15\text{W}$, $14.5\text{V} \leq V_{in} \leq 27\text{V}$	11.4	12.0	12.6	V	
Line Regulation	Reg_{line}	$T_J = +25^\circ\text{C}$, Note 1	$14.5\text{V} \leq V_{in} \leq 20\text{V}$	-	13	240	mV
			$16\text{V} \leq V_{in} \leq 22\text{V}$	-	6	120	mV
Load Regulation	Reg_{load}	$T_J = +25^\circ\text{C}$, Note 1	$5\text{mA} \leq I_O \leq 1.5\text{A}$	-	45	160	mV
			$250\text{mA} \leq I_O \leq 750\text{mA}$	-	16	80	mV

Note 1. Load and line regulation are specified at constant junction temperature. Changes in V_O due to heating effects must be taken into account separately. Pulse testing with low duty cycle is used.

Electrical Characteristics (Cont'd): ($V_{in} = 19V$, $I_O = 500mA$, $T_J = 0^\circ$ to $+125^\circ C$ unless otherwise specified)

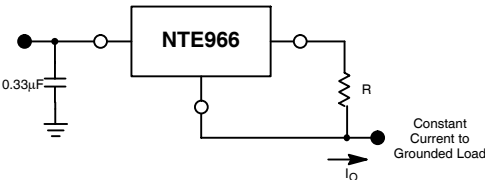
Parameter	Symbol	Test Conditions	Min	Typ	Max	Unit
Quiescent Current	I_B	$T_J = +25^\circ C$	-	4.4	8.0	mA
Quiescent Current Change	ΔI_B	$14.5V \leq V_{in} \leq 30V$	-	-	1.0	mA
		$5mA \leq I_O \leq 1A$	-	-	0.5	mA
Ripple Rejection	RR	$15V \leq V_{in} \leq 25V$, $f = 120Hz$	-	60	-	dB
Dropout Voltage	$V_{in} - V_O$	$T_J = +25^\circ C$, $I_O = 1A$	-	2	-	V
Output Noise Voltage	V_n	$T_A = +25^\circ C$, $10Hz \leq f \leq 100kHz$	-	10	-	$\mu V/V_O$
Output Resistance	r_O	$f = 1kHz$	-	18	-	$m\Omega$
Short-Circuit Current Limit	I_{sc}	$T_A = +25^\circ C$, $V_{in} = 35V$	-	0.2	-	A
Peak Output Current	I_{max}	$T_J = +25^\circ C$	-	2.2	-	A
Average Temperature Coefficient of Output Voltage	TCV_O		-	-1.0	-	$mV/^\circ C$

Application Information:

The NTE966 fixed-voltage regulator is designed with Thermal Overload Protection that shuts down the circuit when subjected to an excessive power overload condition, Internal Short-Circuit Protection that limits the maximum current the circuit will pass, and Output Transistor Safe-Area Compensation that reduces the output short-circuit current as the voltage across the pass transistor is increased.

In many low current applications, compensation capacitors are not required. However, it is recommended that the regulator input be bypassed with a capacitor if the regulator is connected to the power supply filter with long wire lengths, or if the output load capacitor is large. An input bypass capacitor should be selected to provide good high-frequency characteristics to insure stable operation under all load conditions. A $0.33\mu F$ or larger tantalum, mylar, or other capacitor having low internal impedance at high frequencies should be chosen. The bypass capacitor should be mounted with the shortest possible leads directly across the regulators input terminals. Normally good construction techniques should be used to minimize ground loops and lead resistance drops since the regulator has no external sense leads.

Current Regulator



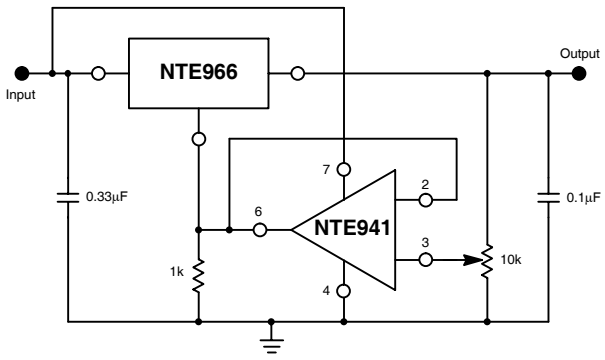
The NTE966 regulator can also be used as a current source when connected as above. Resistor R determines the current as follows:

$$I_O \cong \frac{5V}{R} + I_Q$$

$I_Q \cong 1.5mA$ over line and load changes

For example, a 1-ampere current source would require R to be a 5Ω , 10W resistor and the output voltage compliance would be the input voltage less 7 volts.

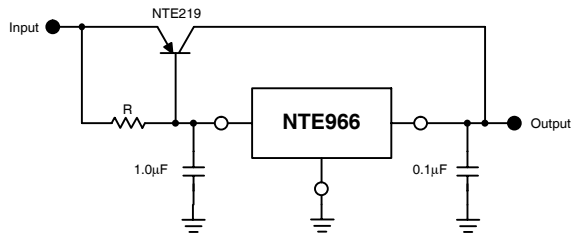
Adjustable Output Regulator



V_O , 7V to 20V
 V_{IN} $V_O \geq 2V$

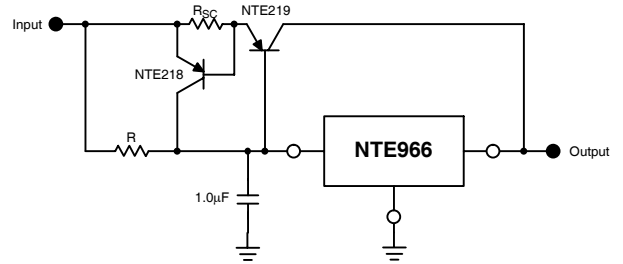
The addition of an operational amplifier allows adjustment to higher or intermediate values while retaining regulation characteristics. The minimum voltage obtainable with this arrangement is 2 volts greater than the regulator voltage.

Current Boost Regulator

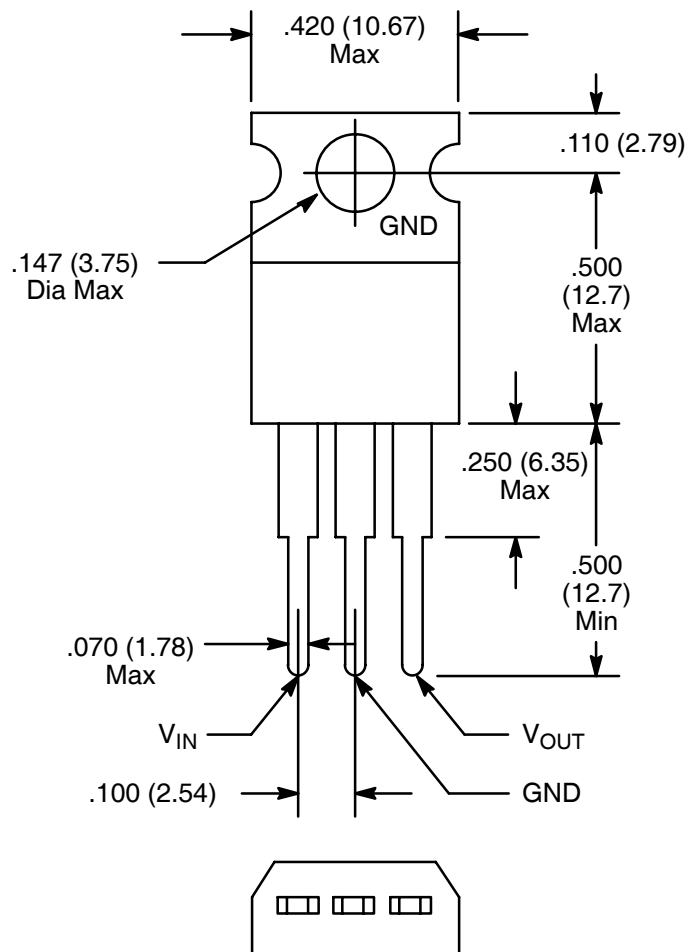


The NTE966 can be current boosted with a PNP transistor. The NTE219 provides current to 5 amperes. Resistor R in conjunction with the V_{BE} of the PNP determines when the pass transistor begins conducting; this circuit is not short-circuit proof. Input-output differential voltage minimum is increased by V_{BE} of the pass transistor.

Short-Circuit Protection



The "Current Boost Regulator" circuit can be modified to provide supply protection against short circuits by adding a short-circuit sense resistor, R_{SC} , and an additional PNP transistor. The current sensing PNP must be able to handle the short-circuit current of the three-terminal regulator. Therefore, a four-ampere plastic power transistor is specified.



X-ON Electronics

Largest Supplier of Electrical and Electronic Components

Click to view similar products for [Linear Voltage Regulators](#) category:

Click to view products by [NTE manufacturer](#):

Other Similar products are found below :

[LV56831P-E](#) [LV5684PVD-XH](#) [MAX202ECWE-LF](#) [MCDTSA6-2R](#) [L4953G](#) [L7815ACV-DG](#) [PQ3DZ53U](#) [LV56801P-E](#)
[TCR3DF13,LM\(CT](#) [TCR3DF39,LM\(CT](#) [TLE42794G](#) [L78L05CZ/1SX](#) [L78LR05DL-MA-E](#) [L78MR05-E](#) [033150D](#) [033151B](#) [090756R](#)
[636416C](#) [NCV78M15BDTG](#) [702482B](#) [714954EB](#) [TLE42794GM](#) [TLE42994GM](#) [ZMR500QFTA](#) [BA033LBSG2-TR](#)
[NCV78M05ABDTRKG](#) [NCV78M08BDTRKG](#) [NCP7808TG](#) [NCV571SN12T1G](#) [LV5680P-E](#) [CAJ24C256YI-GT3](#) [L78M15CV-DG](#) [L9474N](#)
[TLS202B1MBV33HTSA1](#) [L79M05T-E](#) [NCP571SN09T1G](#) [MAX15006AASA/V+](#) [MIC5283-5.0YML-T5](#) [L4969URTR-E](#) [L78LR05D-MA-E](#)
[NCV7808BDTRKG](#) [L9466N](#) [NCP7805ETG](#) [SC7812CTG](#) [NCV7809BTG](#) [NCV571SN09T1G](#) [NCV317MBTG](#) [MC78M15CDTT5G](#)
[MC78M12CDTT5G](#) [L9468N](#)