



**ELECTRONICS, INC.**  
 44 FARRAND STREET  
 BLOOMFIELD, NJ 07003  
 (973) 748-5089

## NTE988 Integrated Circuit Positive 3 Terminal Voltage Regulator, 100mA

**Description:**

The NTE988 is a 3-terminal positive voltage regulator in a TO92 type package and employs internal current-limiting and thermal shutdown, making it essentially indestructible. If adequate heat sinking is provided, this device can deliver up to 100mA output current. The NTE988 is intended for use as a fixed voltage regulator in a wide range of applications including local (on-card) regulation for elimination of noise and distribution problems associated with single-point regulation. In addition, this device can be used with power pass elements to make a high current voltage regulator. When used as a Zener diode/resistor combination replacement, the NTE988 offers an effective output impedance improvement of typically two orders of magnitude, along with lower quiescent current and lower noise.

**Features:**

- Output Current up to 100mA
- No External Components
- Internal Thermal Overload Protection
- Internal Short Circuit Current-Limiting
- Output Voltage Tolerance of  $\pm 5\%$  over the Temperature Range

**Absolute Maximum Ratings:**

Input Voltage,  $V_{IN}$  ..... 35V  
 Internal Power Dissipation,  $P_D$  ..... Internally Limited  
 Operating Junction Temperature Range,  $T_A$  .....  $0^\circ\text{C}$  to  $+125^\circ\text{C}$   
 Storage Temperature Range,  $T_{stg}$  .....  $-65^\circ\text{C}$  to  $+150^\circ\text{C}$   
 Lead Temperature (Soldering, 10 sec),  $T_L$  .....  $+265^\circ\text{C}$

**Electrical Characteristics:** ( $0^\circ \leq T_J \leq +125^\circ\text{C}$ ,  $V_{IN} = 12\text{V}$ ,  $I_O = 40\text{mA}$ ,  $C_{IN} = 0.33\mu\text{F}$ ,  $C_O = 0.1\mu\text{F}$ , Note 1 unless otherwise specified)

Parameter	Symbol	Test Conditions	Min	Typ	Max	Unit	
Output Voltage	$V_O$	$T_J = +25^\circ\text{C}$	5.95	6.20	6.45	V	
Line Regulation	$V_{R(LINE)}$	$T_J = +25^\circ\text{C}$	$8.5\text{V} \leq V_I \leq 20\text{V}$	–	65	175	mV
			$9.0\text{V} \leq V_I \leq 20\text{V}$	–	55	125	mV

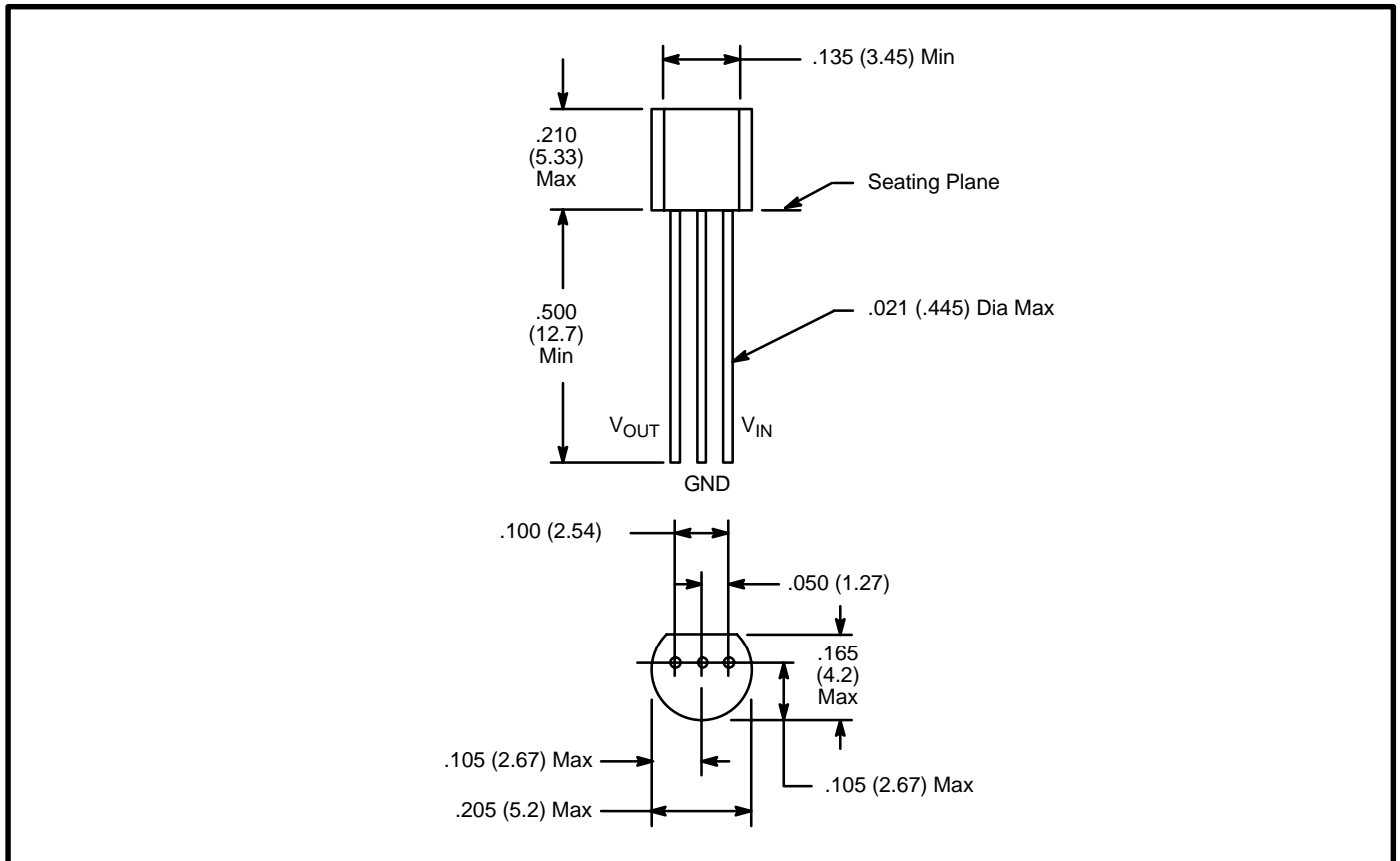
Note 1. The maximum steady state usable output current and input voltage are very dependent on the heat sinking and/or lead length of the package. The data above represents pulse test conditions with junction temperatures as indicated at the initiation of the tests.

**Electrical Characteristics (Cont'd):** ( $0^{\circ} \leq T_J \leq +125^{\circ}\text{C}$ ,  $V_{IN} = 12\text{V}$ ,  $I_O = 40\text{mA}$ ,  $C_{IN} = 0.33\mu\text{F}$ ,  $C_O = 0.1\mu\text{F}$ , Note 1 unless otherwise specified)

Parameter	Symbol	Test Conditions	Min	Typ	Max	Unit
Load Regulation	$V_{R(\text{LOAD})}$	$T_J = +25^{\circ}\text{C}$				
		$1\text{mA} \leq I_O \leq 100\text{mA}$	-	13	80	mV
Output Voltage (Note 2)	$V_O$	$8.5\text{V} \leq V_I \leq 20\text{V}$				
		$1\text{mA} \leq I_O \leq 40\text{mA}$	-	6	40	mV
Quiescent Current	$I_Q$		-	2.0	5.5	mA
Quiescent Current Change With Line	$\Delta I_Q$	$8.0\text{V} \leq V_I \leq 20\text{V}$	-	-	1.5	mA
		$1\text{mA} \leq I_O \leq 40\text{mA}$	-	-	0.1	mA
With Load						
Noise	$N_O$	$T_A = +25^{\circ}\text{C}$ , $10\text{Hz} \leq f \leq 100\text{kHz}$	-	50	-	$\mu\text{V}$
Ripple Rejection	$\Delta V_I / \Delta V_O$	$f = 120\text{Hz}$ , $10\text{V} \leq V_I \leq 20\text{V}$ , $T_J = +25^{\circ}\text{C}$	40	46	-	dB
Dropout Voltage	$V_{DO}$	$T_J = +25^{\circ}\text{C}$	-	1.7	-	V
Peak Output/Output Short Circuit Current	$I_{pk}/I_{OS}$	$T_J = +25^{\circ}\text{C}$	-	140	-	mA
Average Temperature Coefficient of Output Voltage	$\Delta V_O / \Delta T$	$I_O = 5\text{mA}$	-	-0.75	-	$\text{mV}/^{\circ}\text{C}$

Note 1. The maximum steady state usable output current and input voltage are very dependent on the heat sinking and/or lead length of the package. The data above represents pulse test conditions with junction temperatures as indicated at the initiation of the tests.

Note 2. Power Dissipation  $\leq 0.75\text{W}$ .



## X-ON Electronics

Largest Supplier of Electrical and Electronic Components

*Click to view similar products for [Linear Voltage Regulators](#) category:*

*Click to view products by [NTE manufacturer](#):*

Other Similar products are found below :

[LV56831P-E](#) [LV5684PVD-XH](#) [MAX202ECWE-LF](#) [MCDTSA6-2R](#) [L4953G](#) [L7815ACV-DG](#) [PQ3DZ53U](#) [LV56801P-E](#)  
[TCR3DF13,LM\(CT](#) [TCR3DF39,LM\(CT](#) [TLE42794G](#) [L78L05CZ/1SX](#) [L78LR05DL-MA-E](#) [L78MR05-E](#) [033150D](#) [033151B](#) [090756R](#)  
[636416C](#) [NCV78M15BDTG](#) [702482B](#) [714954EB](#) [TLE42794GM](#) [TLE42994GM](#) [ZMR500QFTA](#) [BA033LBSG2-TR](#)  
[NCV78M05ABDTRKG](#) [NCV78M08BDTRKG](#) [NCP7808TG](#) [NCV571SN12T1G](#) [LV5680P-E](#) [CAJ24C256YI-GT3](#) [L78M15CV-DG](#) [L9474N](#)  
[TLS202B1MBV33HTSA1](#) [L79M05T-E](#) [NCP571SN09T1G](#) [MAX15006AASA/V+](#) [MIC5283-5.0YML-T5](#) [L4969URTR-E](#) [L78LR05D-MA-E](#)  
[NCV7808BDTRKG](#) [L9466N](#) [NCP7805ETG](#) [SC7812CTG](#) [NCV7809BTG](#) [NCV571SN09T1G](#) [NCV317MBTG](#) [MC78M15CDTT5G](#)  
[MC78M12CDTT5G](#) [L9468N](#)