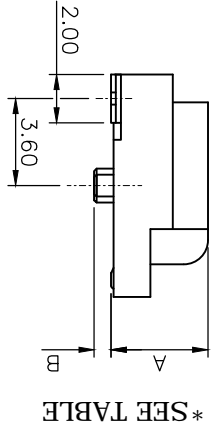
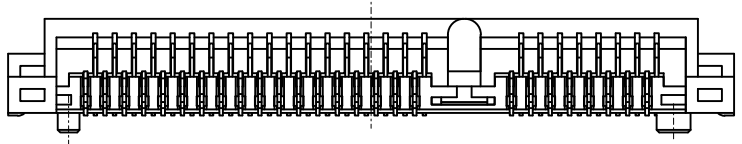
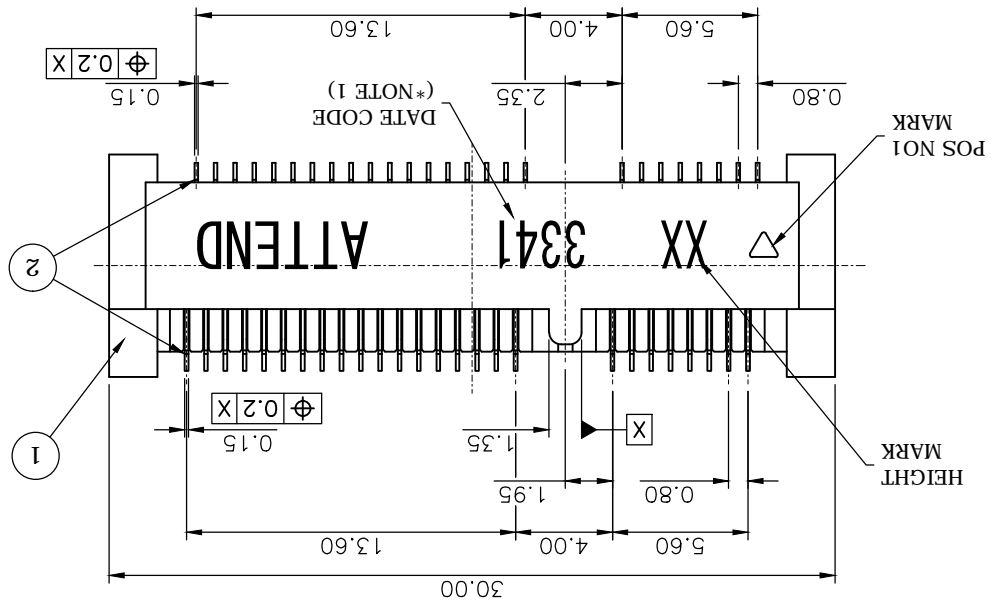


SEE SLUG HOLES NOTES



*SEE TABLE

	UNITS: mm DECIMAL: X.XX LINEAR: ±0.12 ANGLES: ±1° UNLESS OTHERWISE SPECIFIED TOLERANCE	DRAWN: Fros CHECKED: Ron APPROVED: Albert SCALE: 3.2 SHEET: 1/4 SIZE: A4	PRODUCT NO.: SEE P/N TABLE FILE NAME: 119A-XXA00-R04_B_3
NO. PART NAME DESCRIPTION 3 HOLDDOWN Brass C2680, Tin Plated 2 CONTACT Phosphor Bronze C5210, Contact Area: Gold Flash Over Nickel 1 HOUSING LCP UL94V-0, Black	DRAWN NAME: Mini PCI Express Socket H:X:mm WWW.ATTEND.COM.TW	DRAWN: 2014/12/12 CHECKED: 2014/12/12 APPROVED: 2014/12/12	PRODUCT NO.: SEE P/N TABLE FILE NAME: 119A-XXA00-R04_B_3

NOTE: 1

DATE CODE	YEAR	WEEK
3 3 4 1	2013	34

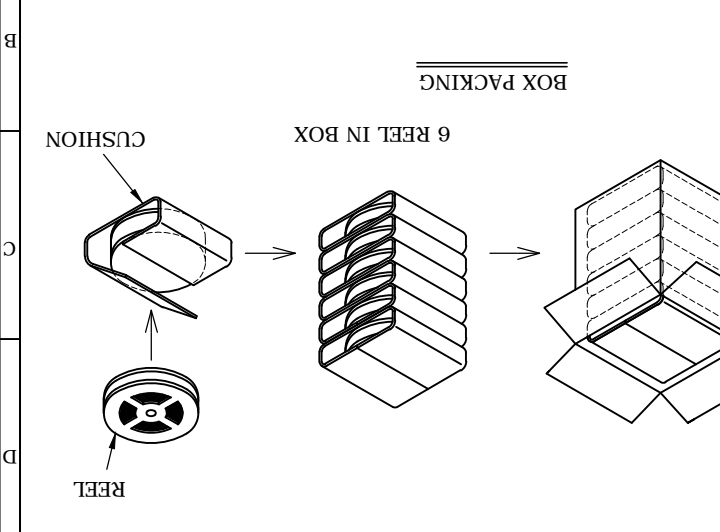
DAY 1 AT WEEK

DIMENSIONS TABLE		
A	B	P/N
5.6	0.5	119A-56A00-R04
4.0	0.7	119A-40A00-R04

- 3.1 Operating temperature range: -40°C~+85°C
 3.2 Storage temperature range: -40°C~+85°C
 4.1 Recommended IR Reflow Temperature: 260°C 10Sec
2. MECHANICAL
- 2.1 Durability: 100 Cycle
 - 2.2 Insertion Force: 2.3Kgf max.
 - 2.3 Extraction Force: 2.3Kgf max.
3. ENVIRONMENTAL
- 1.1 Current Rating: 0.5A per pin
 - 1.2 Voltage Rating: 50V DC
 - 1.3 Contact Resistance: 5mΩ Max
 - 1.4 Insulation Resistance: 500MΩ Min
 - 1.5 Dielectric Withstanding Voltage: 300VAC

NO.	DESCRIPTION	DRAWN	DATE
1	INITIAL RELEASE	FROS	2014/12/12
2	ADD PACKING & DIMENSIONS TABLE	FROS	2014/12/19
3	ADD PAGE 4, SLUG HOLE NOTES	FROS	2015/08/11

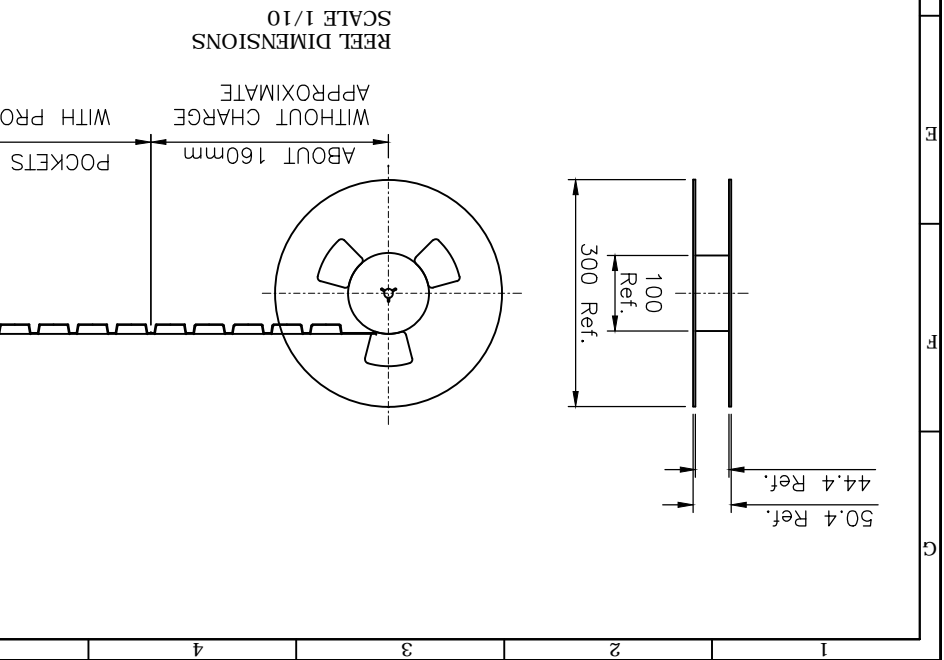
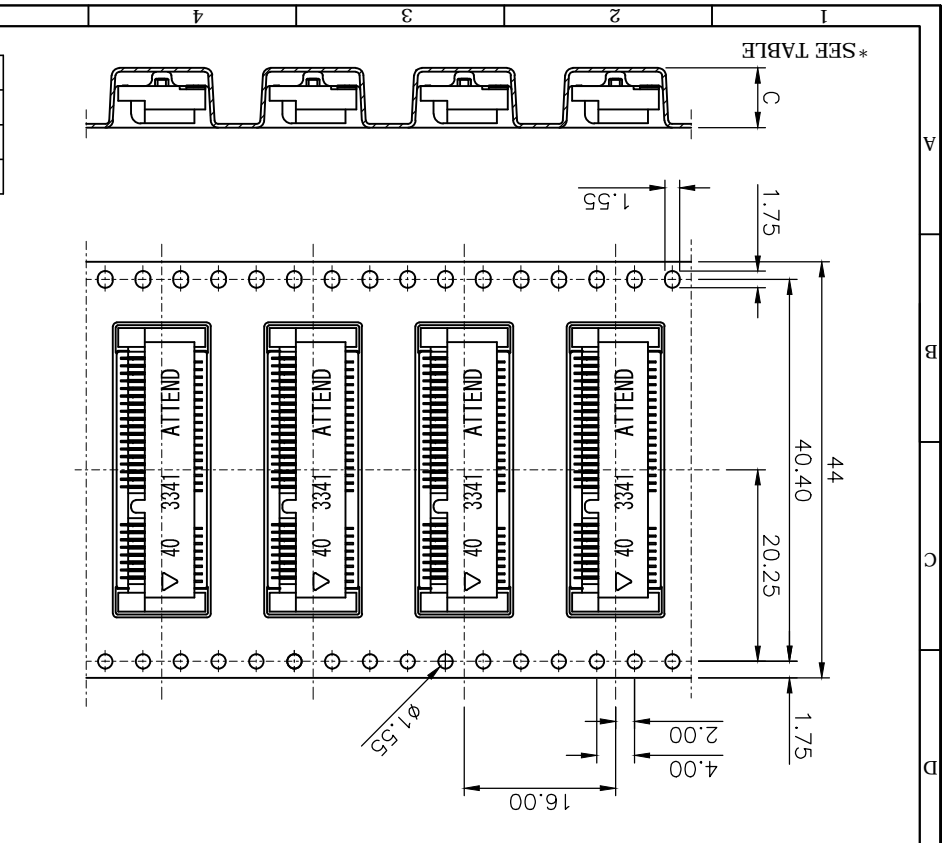
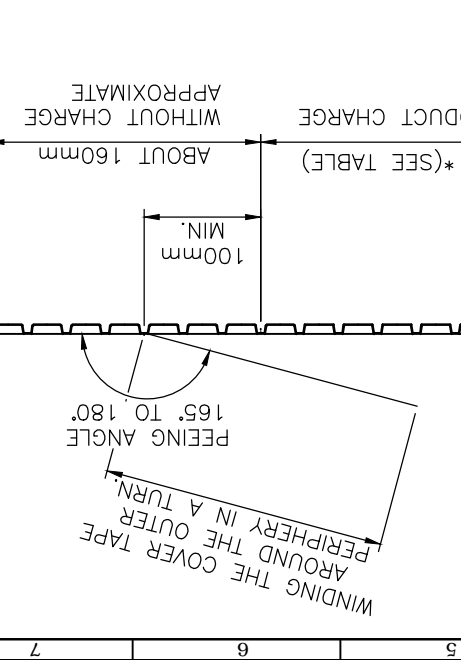
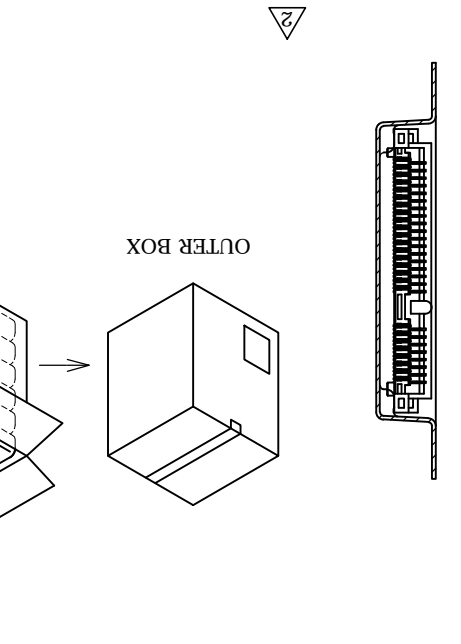
UNLESS OTHERWISE SPECIFIED TOLERANCE	UNIT:	DECIMAL	LINEAR	ANGLES
		X.X	±0.25	±3°
		X.XX	±0.12	±1°
DRAWN NAME: 2014/12/12	DRAWN	Fros		
	CHECKED	Ron		
PRODUCT NO.	2014/12/12	Albert		
FILE NAME	119A-XXA00-R04_B_3	SHEET	3/4	A4



PACKING TABLE	
P/N	Q'TY/ REEL
119A-40A00-R04	700 PCS
119A-56A00-R04	550 PCS
Q'TY/ CARTON	
119A-40A00-R04	4,200 PCS
119A-56A00-R04	3,300 PCS

NO.	DESCRIPTION	DRAWN	DATE
	SEE SHEET 1		

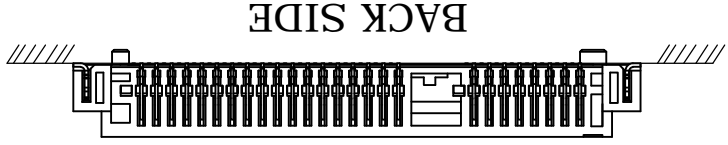
DIMENSIONS TABLE	
C	P/N
6.30	119A-40A00-R04
7.90	119A-56A00-R04



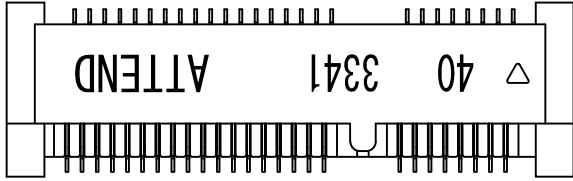
UNLESS OTHERWISE SPECIFIED TOLERANCE		DECIMAL	LINEAR	ANGLES
UNIT:	mm	X	±0.50	±5°
		X.X	±0.25	±3°
		X.XX	±0.12	±1°
DRAWN NAME: Min! PCI Express Socket H:X.Xmm		DRAWN		
2014/12/12		Fros		
2014/12/12		Ron		
2014/12/12		Albert		
PRODUCT NO.	SEE P/N TABLE	APPROVED		
FILE NAME	119A-XXA00-R04_B_3	SCALE	2.5	4/4
		SHEET	4/4	SIZE
			A4	



SLUG HOLE NOTES



BACK SIDE

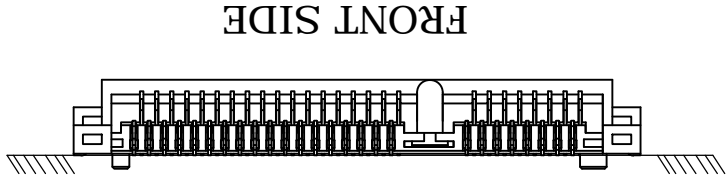


TOP VIEW

ATTEND

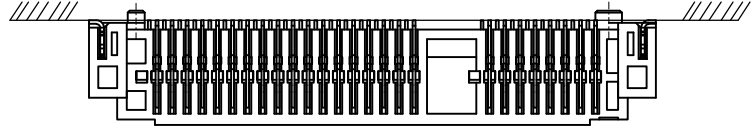
3341

40

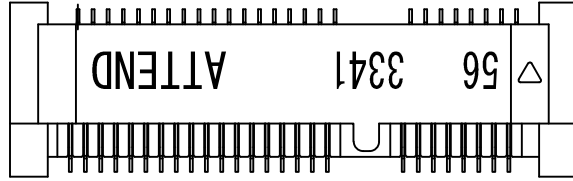


FRONT SIDE

119A-40A00-R04



BACK SIDE

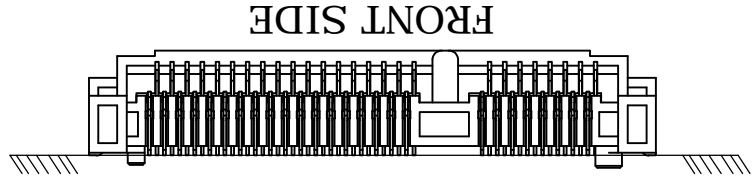


TOP VIEW

ATTEND

3341

56



FRONT SIDE

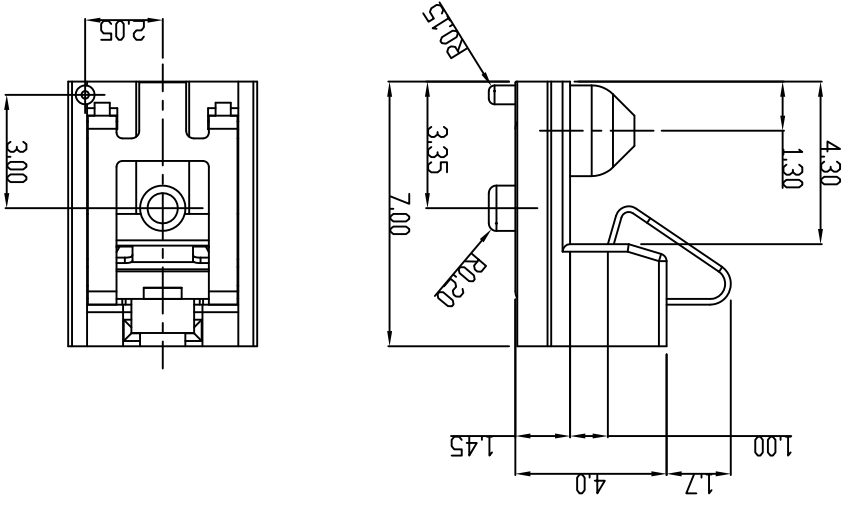
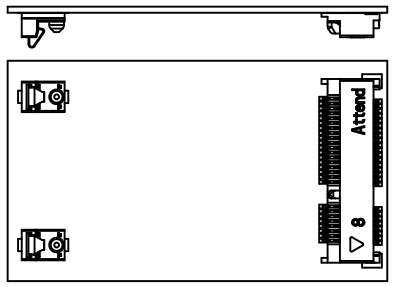
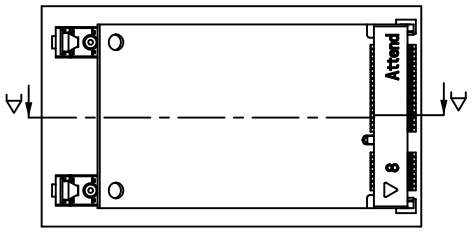
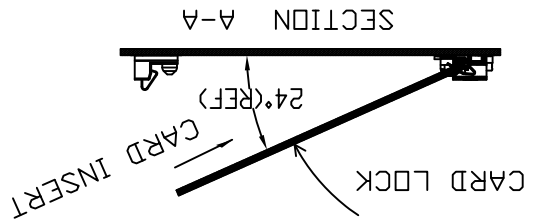
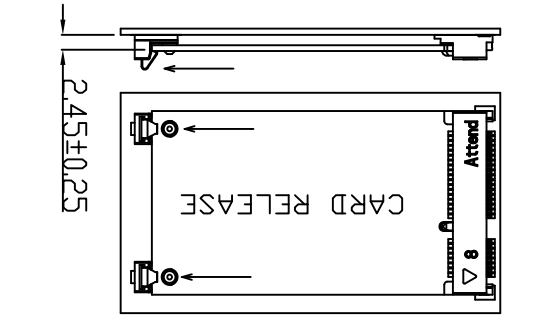
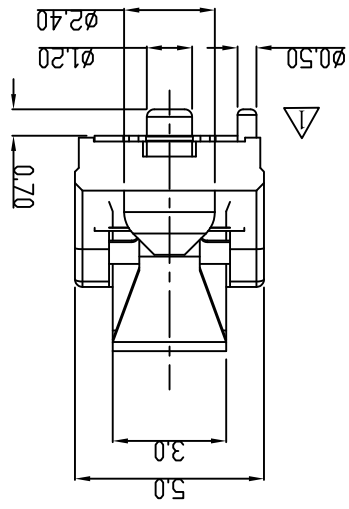
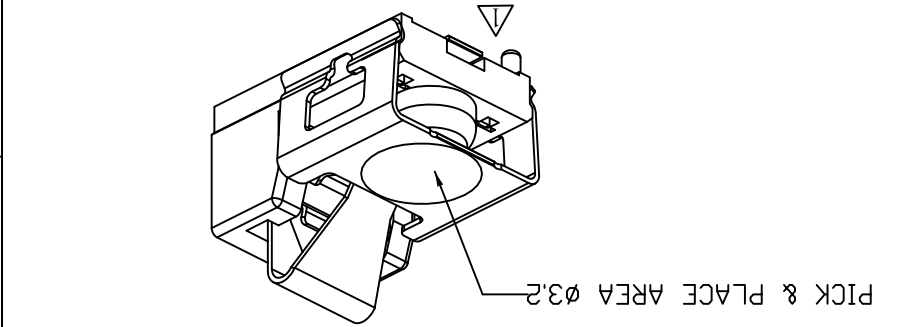
119A-56A00-R04

NO.	DESCRIPTION	DATE
	see sheet one	
DRAWN		

REV.	DESCRIPTION	DATE	REV.	DESCRIPTION	DATE	REV.	DESCRIPTION	DATE	REV.	DESCRIPTION
△	Revise: (1) Peg (2) Housing (3) Solder Pad	2010/01/15								
△	Revise:									
△	Revise:									

PRODUCT NO.	ITEM	PART NAME	Q'TY	MATERIAL	PLATING
119A-LATCH-40	1	BODY	1	LCP	
	2	LATCH	1	PHOSPHOR BRONZE	TIN 100u"
	3	COVER	1	STAINLESS	N/A

PRODUCT NO.	ITEM	PART NAME	Q'TY	MATERIAL	PLATING
119A-LATCH-40	1	BODY	1	LCP	
119A-LATCH-40	2	LATCH	1	PHOSPHOR BRONZE	TIN 100u"
119A-LATCH-40	3	COVER	1	STAINLESS	N/A



WWW.ATTEND.COM.TW

SCALE	AS SHOWN	UNIT: mm
ANGLES	±5°	
LINEAR	0.0	
	±0.25	
	±0.20	

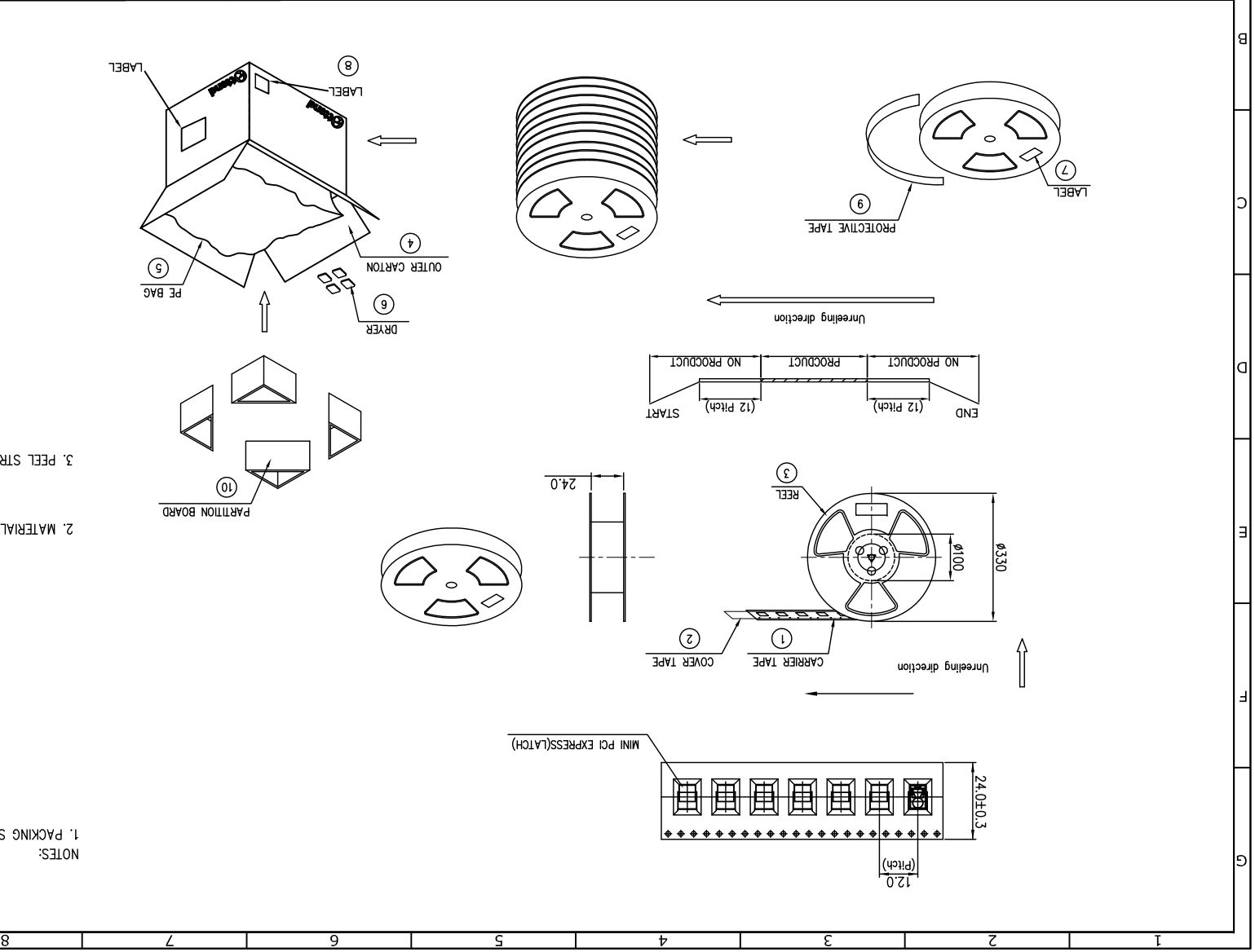
UNLESS OTHERWISE SPECIFIED TOLERANCE	ANGLES	LINEAR	SCALE	AS SHOWN	UNIT: mm
	±5°	0.0		±0.20	
		±0.25			
		±0.20			

DRAWN NAME:	DATE:	CHECKED:	APPROVED:	PRODUCT NO.:	FILE NAME:
Willis	2012/08/03	Angel	Ken	119A-LATCH-40	119A-LATCH-40_B.3

REV.	DESCRIPTION	DATE	REV.	DESCRIPTION	DATE
1.0			1.0		

REV.	DESCRIPTION	DATE	REV.	DESCRIPTION	DATE	REV.	DESCRIPTION	DATE	REV.	DESCRIPTION	DATE	REV.	DESCRIPTION	DATE																												
3	Revise:																																									
2	Revise:																																									
1	Revise:																																									
<table border="1"> <tr> <td>SIZE</td> <td>A4</td> <td>REV.</td> <td>1.0</td> <td>FILE NAME</td> <td>119A-LATCH-XX_D_2</td> </tr> <tr> <td>DATE</td> <td>2012/08/03</td> <td>APPROVED</td> <td>Ken</td> <td>PRODUCT NO.</td> <td>119A-LATCH-XX</td> </tr> <tr> <td>SCALE</td> <td>AS SHOWN</td> <td>DRAWN</td> <td>Willis</td> <td>DRAWN NAME:</td> <td>Mini PCI Express Latch</td> </tr> <tr> <td>LINEAR</td> <td>±0.25</td> <td>UNIT:</td> <td>mm</td> <td>WWW.ATTEND.COM.TW</td> <td></td> </tr> <tr> <td>ANGLES</td> <td>±5°</td> <td colspan="4">UNLESS OTHERWISE SPECIFIED TOLERANCE</td> </tr> </table>													SIZE	A4	REV.	1.0	FILE NAME	119A-LATCH-XX_D_2	DATE	2012/08/03	APPROVED	Ken	PRODUCT NO.	119A-LATCH-XX	SCALE	AS SHOWN	DRAWN	Willis	DRAWN NAME:	Mini PCI Express Latch	LINEAR	±0.25	UNIT:	mm	WWW.ATTEND.COM.TW		ANGLES	±5°	UNLESS OTHERWISE SPECIFIED TOLERANCE			
SIZE	A4	REV.	1.0	FILE NAME	119A-LATCH-XX_D_2																																					
DATE	2012/08/03	APPROVED	Ken	PRODUCT NO.	119A-LATCH-XX																																					
SCALE	AS SHOWN	DRAWN	Willis	DRAWN NAME:	Mini PCI Express Latch																																					
LINEAR	±0.25	UNIT:	mm	WWW.ATTEND.COM.TW																																						
ANGLES	±5°	UNLESS OTHERWISE SPECIFIED TOLERANCE																																								

NO	PACKING NAME	PCS/R/BOX	UNIT	NOTE
1	CARRIER TAPE	10	PCS	W=24mm,L=0.5mm
2	COVER TAPE	10	PCS	W=21.5mm
3	REEL	10	SET	ø330*100mm,W=44mm
4	OUTER CARTON	1	PCS	
5	PE BAG	1	PCS	L850*W750mm
6	DRYER	4	BAG	
7	LABEL	6	PCS	
8	LABEL	1	PCS	
9	PROTECTIVE TAPE	3	PCS	
10	PARTION BOARD	4	PCS	



REV.	DESCRIPTION	DRAWN	DATE
1	Initial Release	FROS	2014/12/03

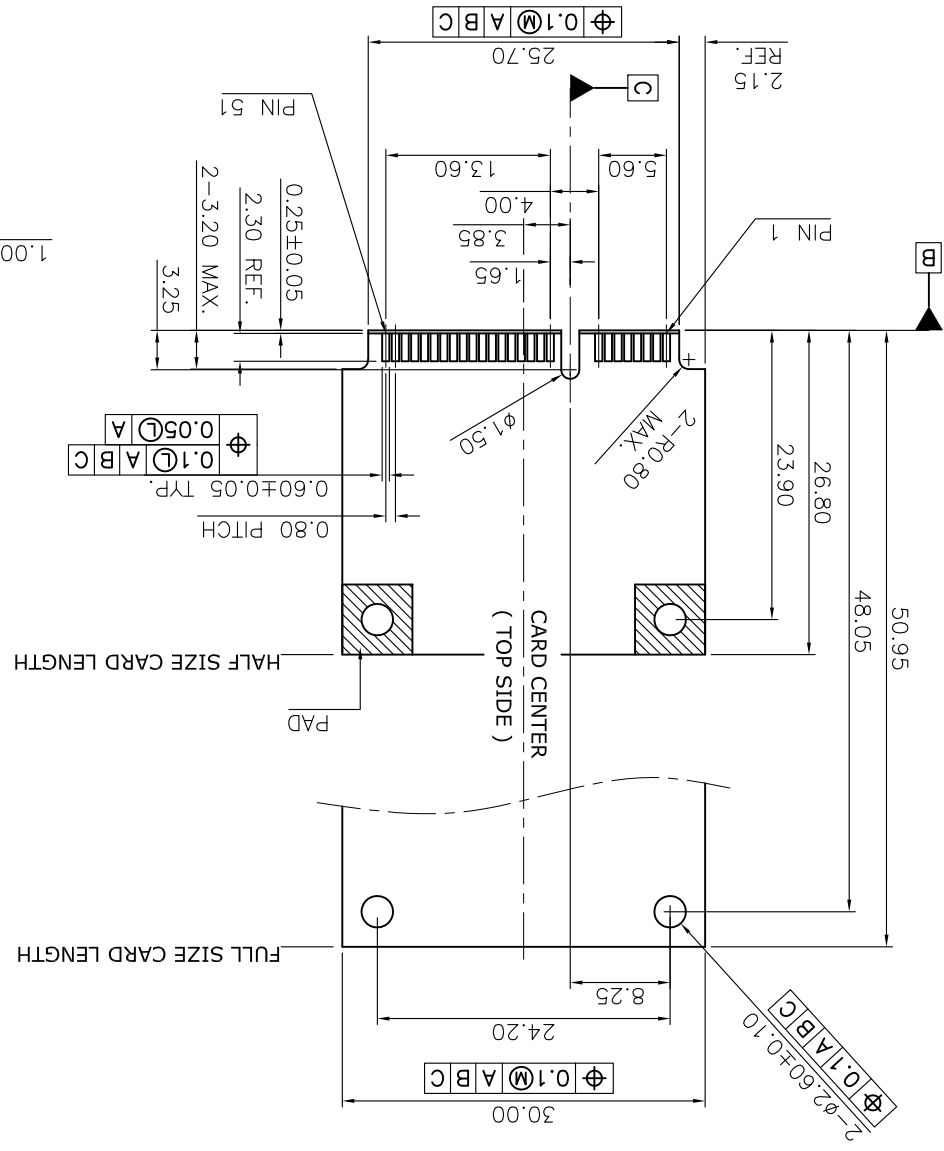
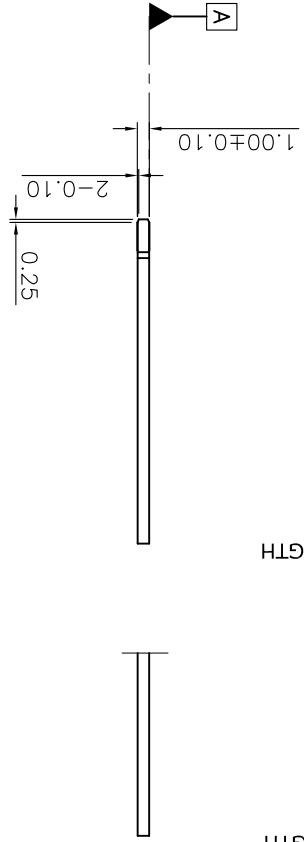
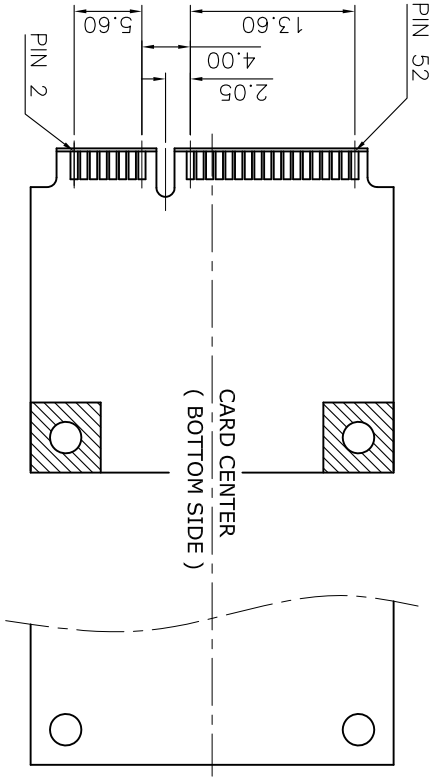
UNITS:	DECIMAL	LINEAR	ANGLES
mm	X.XX	±0.12	±1°
	X.X	±0.25	±3°
	X.	±0.50	±5°
UNLESS OTHERWISE SPECIFIED TOLERANCE			
DRAWN NAME: FROS			
DRAWN DATE: 2014/12/03			
CHECKED: Ron			
CHECKED DATE: 2014/12/03			
APPROVED: Albert			
APPROVED DATE: 2014/12/03			
SCALE: 1.6/1			
SHEET: 1/1			
SHEET SIZE: A4			
FILE NAME: 119A-CARD_1			



PHYSICAL DIMENSIONS OF
PCI EXPRESS MINI CARD

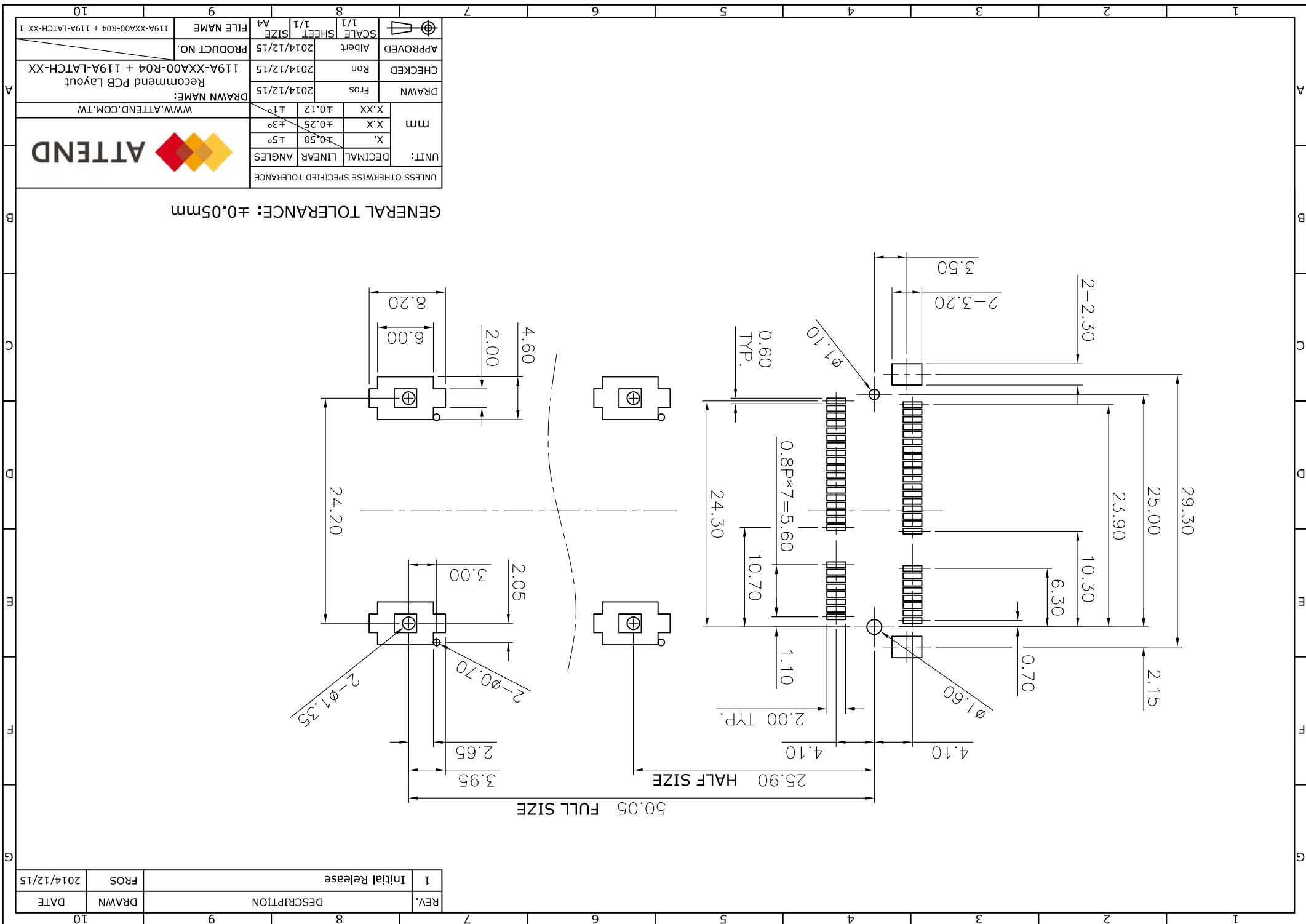
10 9 8 7 6 5 4 3 2 1

A B C D E F G



10 9 8 7 6 5 4 3 2 1

A B C D E F G



GENERAL TOLERANCE: ±0.05mm

UNITS:		DECIMAL	LINEAR	ANGLES
mm	X:	±0.50	±5°	
	X.X	±0.25	±3°	
	X.XX	±0.12	±1°	
UNLESS OTHERWISE SPECIFIED TOLERANCE				
DRAWN NAME: Fros				
CHECKED: Ron				
APPROVED: Albert				
SCALE: 1/1				
SHEET: 1/1				
FILE NAME: 119A-XXA00-R04 + 119A-LATCH-XX.1				
PRODUCT NO.:				
DRAWN NAME: Fros				
CHECKED: Ron				
APPROVED: Albert				
SCALE: 1/1				
SHEET: 1/1				
FILE NAME: 119A-XXA00-R04 + 119A-LATCH-XX.1				



www.attend.com.tw

Recommend PCB Layout
119A-XXA00-R04 + 119A-LATCH-XX

119A-XXA00-R04 + 119A-LATCH-XX.1

REV.	DESCRIPTION	DRAWN	DATE
1	Initial Release	FROS	2014/12/15

X-ON Electronics

Largest Supplier of Electrical and Electronic Components

Click to view similar products for [Memory Card Connectors](#) category:

Click to view products by [Attend manufacturer](#):

Other Similar products are found below :

[M10-597810-355](#) [M21-033321-005](#) [6426-201-21343](#) [69.920.0553.0](#) [MCR60A-98D-2.54DSA\(70\)](#) [FCN-568P068-G/07-4V](#) [809180410000000](#)
[95622-003LF](#) [DM3AT-SF-PEJM5\(41\)](#) [EN2997S72039F6](#) [N7E50-7516PG-20-WF](#) [IC11S-BUR-PNEJL\(71\)](#) [NX30TA-15PAA\(50\)](#) [21920-5](#)
[2041353-2](#) [FUA006-3220-0](#) [33CFAE-DN](#) [MI21A-50PD-SF-EJR\(91\)](#) [502431-1011](#) [5175651-2](#) [10-247926-166](#) [10-629549-258N](#)
[EN2997S02039B8](#) [EN2997S61212BN](#) [EN2997S72039B6](#) [EN2997SE02039B8](#) [EN2997SE61212BN](#) [EN2997SE72039B6](#) [71-252718-32P](#)
[NX1-32T-KT3K\(05\)](#) [95622-003LF](#) [91-570124-15P](#) [192900-0488](#) [N7E50-U516RB-50-SIN0005](#) [DM1AA-SF-PEJ](#) [95079-00CALF](#) [84648-](#)
[056HLF](#) [68-580163-21S](#) [33DVIR-29S12R](#) [SF58S006VBBR2000](#) [93-570123-08P](#) [GMC020080HR](#) [125A-78C00](#) [1010040575#](#) [MI20A-](#)
[50PD-SF-EJL\(71\)](#) [KP10S-SF-PEJ\(812\)](#) [DM1AA-SF-PEJ\(31\)](#) [FO-10GGBLCX20-002](#) [504536-0691](#) [115S-ACA2](#)