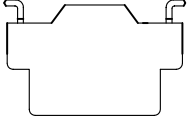




NOTES:

1. ROHS COMPLIANT
2. HEADER: DAP (DIALYL PHTHALATE) WITH FLAMMABILITY RATING UL 94V-0 OR BETTER.
3. STORAGE TEMPERATURE: -20°C TO +125°C
4. COMPLIANCE TO J-STD:
 - A. J-STD-002: SOLDERABILITY AT 245°C REFLOW PROFILE
 - B. J-STD-020: LEVEL 1, NO MOISTURE SENSITIVE
 - C. J-STD-075: R7, 245°C MAXIMUM THROUGH REFLOW SOLDER
5. TO ORDER TAPE & REEL PACKAGING ADD A "T" SUFFIX TO THE PART NUMBER (i.e. H1313FNL BECOMES H1313FNLT).



FINAL OUTLINE

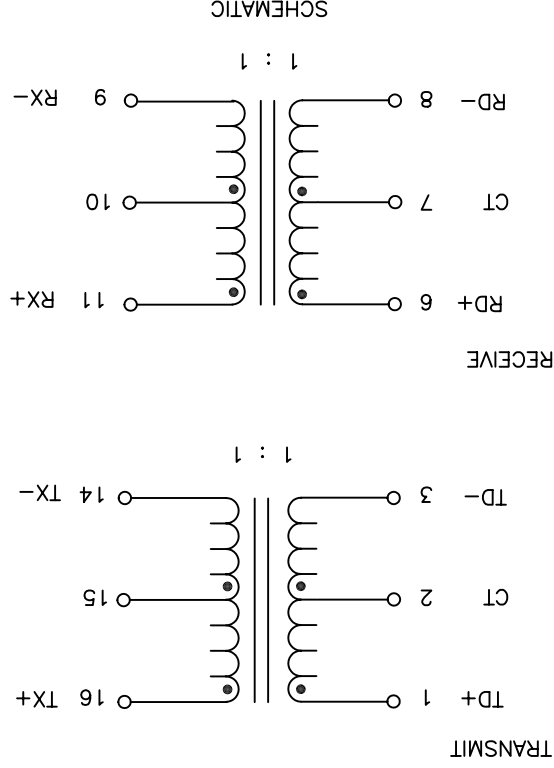
PRODUCT DESCRIPTION	TLA DRAWING	PS DRAWING	SHEET	PART NO.	DATASHEET REV.
MDL,SIN,100D,1;1,SM,TU	H1313FNL-10	PS-2005.002-D	1 OF 3	H1313FNL	A

© Copyright, 2014. Pulse Electronics Corp. All rights reserved. Pulse confidential & proprietary. (06/12/14)

ELECTRICAL CHARACTERISTICS AT +25°C UNLESS OTHER SPECIFIED
 MEETS IEEE 802.3 SPECIFICATION

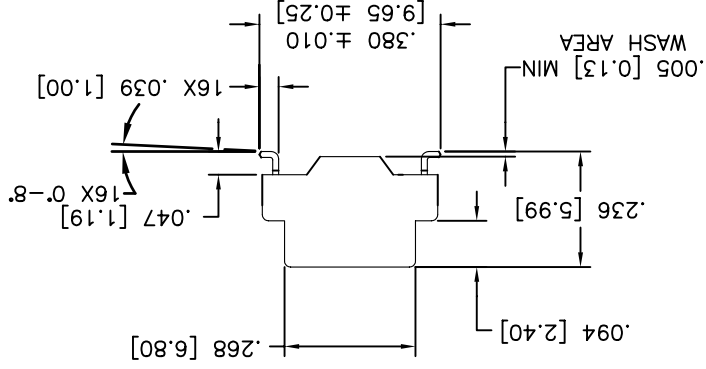
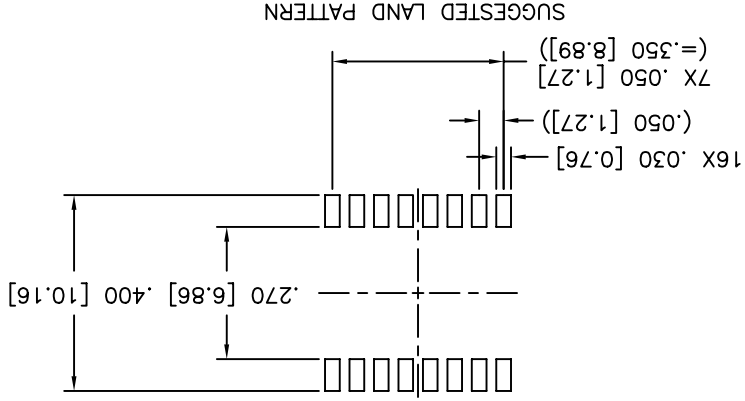
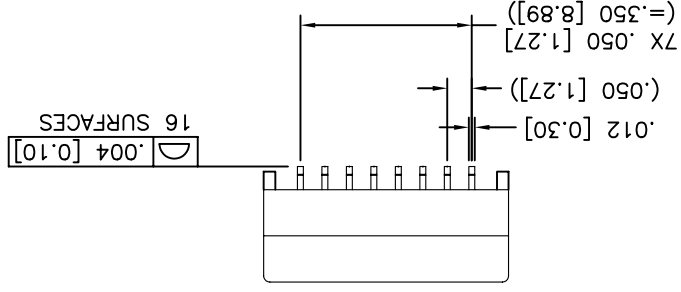
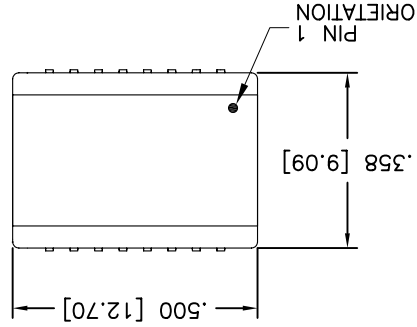
PARAMETER		SPECIFICATIONS	
OPERATING TEMPERATURE		0°C - 70 °C	
TURNS RATIO		1 : 1 ±2%	
POLARITY		PER SCHEMATIC	
INSERTION LOSS		100 KHZ	1-125 MHZ
		-1.2 DB MAX	-0.2-0.002*f ^{1.4} DB MAX
RETURN LOSS, 100ΩBT (Z OUT = 100 OHM)		.1-40 MHZ	40-100 MHZ
		-18 DB MIN	-12+20*LOG ₁₀ (f/80 MHZ) DB MIN
INDUCTANCE (OCL) (MEDIA SIDE, 0°C-70°C)		350 uH MIN	
		(MEASURED AT 100 KHZ, 100 mVRMS) (AND WITH 8 mA DC BIAS)	
CROSSTALK, ADJACENT CHANNELS		1 MHZ	10-100 MHZ
		-50 DB MIN	-50+17*LOG ₁₀ (f/10) DB MIN
COMMON MODE REJECTION RATIO		2 MHZ	30-200 MHZ
		-50 DB MIN	-15+20*LOG ₁₀ (f/200) DB MIN
INPUT - OUTPUT ISOLATION		1500 VRMS MIN AT 60 SECONDS	

NOTE: f IS FREQUENCY IN MHZ.



PRODUCT DESCRIPTION	TLA DRAWING	PS DRAWING	SHEET	PART NO.	DATASHEET REV.
MDL,SIN,100D,1:1SM,TU	H1313FNL-10	PS-2005,002-D	2 OF 3	H1313FNL	A

© Copyright, 2014, Pulse Electronics Corp. All rights reserved. Pulse confidential & proprietary. (06/12/14)



DIMENSIONS ARE IN INCHES [MILLIMETERS] WITH THE FOLLOWING TOLERANCES: [MILLIMETERS] ARE FOR REFERENCE ONLY.

.XX = ±.01 [±0.25]

.XXX = ±.005 [±0.13]

© Copyright, 2014, Pulse Electronics Corp. All rights reserved. Pulse confidential & proprietary. (06/12/14)

PRODUCT DESCRIPTION	TLA DRAWING	PS DRAWING	SHEET	PART NO.	DATASHEET REV.
MDL,SIN,100D,1:1,SM,TU	H1313FNL-10	PS-2005.002-D	3 OF 3	H1313FNL	A

X-ON Electronics

Largest Supplier of Electrical and Electronic Components

Click to view similar products for [Transformers Audio & Signal](#) category:

Click to view products by [Pulse](#) manufacturer:

Other Similar products are found below :

[CX2041NLT](#) [MGPWT-00449-P](#) [PL2615NL](#) [H1302FNLT](#) [H5012FNL](#) [H5077NLT](#) [H5084FNLT](#) [E4001NLT](#) [BX1194WNL](#) [HX2260FNL](#)
[HX5014FNL](#) [PA2437NL](#) [EX2024FNL](#) [T1049NL](#) [PE-65848FNLT](#) [PE-68023NL](#) [PH0905NL](#) [H1174FNL](#) [H1302FNL](#) [H5015FNL](#)
[H5062FNLT](#) [CX2047LNL](#) [MGPWT-00266-P](#) [MGPWT-00278-P](#) [MGPWT-00431-P](#) [BX1194WNLT](#) [HX5019FNL](#) [HX5084NL](#) [TX1263NLT](#)
[4-1879391-0](#) [PA0173NLT](#) [PA1284NLT](#) [T1142NL](#) [T60403-Y4021-X115](#) [HX6101FNL](#) [HX1148NL](#) [HX5020FNLT](#) [HX5014FNLT](#)
[T1124NL](#) [B8846NL](#) [TX1267NLT](#) [TX1341NL](#) [H0013FNL](#) [H1270FNLT](#) [H2009FNL](#) [H5008FNLT](#) [H7008FNLT](#) [H5004NLT](#) [H5084FNL](#)
[H7008FNL](#)