

D38999/28 Jam Nut



Miscellaneous
Accessories

Glenair Connector
Designator H

MIL-DTL-38999
Series III & IV,
EN3645

D38999/28-11 F

Basic Part No.

Dash No.

Material and Finish:

C = Aluminum, Anodize

F = Aluminum, Electroless Nickel

K = Corrosion Resistant Steel Passivate

W = Aluminum, Cadmium Olive Drab over
Electroless Nickel

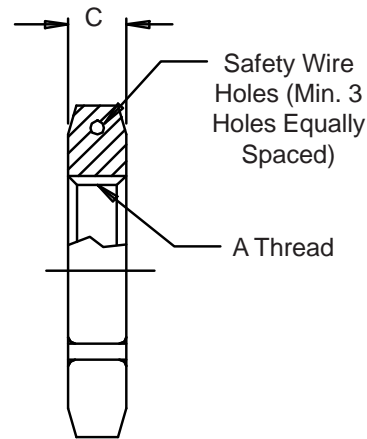
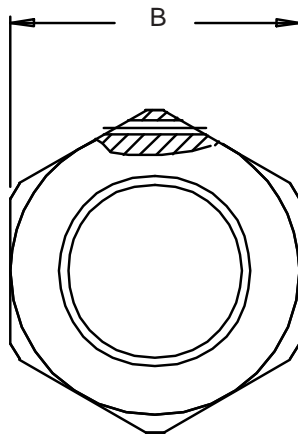


TABLE I

Dash No.	Shell Size		A Thread Class 2B	B Hex Max	C	
	Series III	Series IV			+018 -.000	(.45) (.00)
1	9	--	M17 X 1 - 6H*	.945 (24.00)	.125	(3.17)
2	11	--	M20 X 1 - 6H*	1.063 (27.00)	.125	(3.17)
3	13	11	M25 X 1 - 6H	1.260 (32.00)	.125	(3.17)
4	15	13	M28 X 1 - 6H	1.417 (36.00)	.125	(3.17)
5	--	15	M31 X 1 - 6H	1.614 (41.00)	.125	(3.17)
6	17	--	M32 X 1 - 6H	1.457 (37.00)	.125	(3.17)
7	--	17	M34 X 1 - 6H	1.614 (41.00)	.125	(3.17)
8	19	--	M35 X 1 - 6H	1.614 (41.00)	.125	(3.17)
9	21	19	M38 X 1 - 6H	1.811 (46.00)	.125	(3.17)
10	23	21	M41 X 1 - 6H	1.969 (50.00)	.125	(3.17)
11	25	23	M44 X 1 - 6H	2.017 (51.23)	.125	(3.17)
12	--	25	M47 X 1 - 6H	2.165 (55.00)	.125	(3.17)

* Modified Minor Diameter

1. For complete dimensions see applicable Military Specification.
2. Metric dimensions (mm) are indicated in parentheses.

X-ON Electronics

Largest Supplier of Electrical and Electronic Components

Click to view similar products for [Circular MIL Spec Tools, Hardware & Accessories](#) *category:*

Click to view products by [Glenair](#) *manufacturer:*

Other Similar products are found below :

[809-199-3](#) [001104](#) [300 04](#) [600-006-16](#) [600-079-06](#) [M10-101982-143](#) [M10-101982-163](#) [M10-101983-183](#) [M10-150912-083](#) [M10-454396-008](#) [602GB18808](#) [M225201-06](#) [M24758-20E21](#) [M2887610-BC](#) [M2887615-CD](#) [M38999/9-19B](#) [62GB-812-10](#) [630A007NF083A](#) [630B007M051A](#) [630BJ003NF032H](#) [637-149NF04B](#) [M39029/29-215](#) [650FS002NF16](#) [M81969-14-02](#) [660-008NF14S7-01](#) [660-009M22H8-03](#) [660-013NF19U6-210](#) [660-015M10S6-17](#) [660-015NF10S5-01](#) [660-015NF14R3.5-01](#) [660-023NF19H6-19](#) [660-024N09S5-104](#) [660-024NF11S12-01](#) [660-024NF11S3-01](#) [660-050XM17F4-01](#) [660-068NF25R6-30G](#) [660-070M23S8-04](#) [660-073MTCH9-20](#) [M83723/60-116RC](#) [M83723/61-18W](#) [M83723/61-218R](#) [M83723/61-224W](#) [667-224NF16](#) [M85049/118S22A](#) [M85049/126S11N](#) [M85049130-07M](#) [M85049140-09BC](#) [M85049/41-16A W/B](#) [687-697NF-1](#) [M85049/75-14-1](#) [M8504980-8](#)