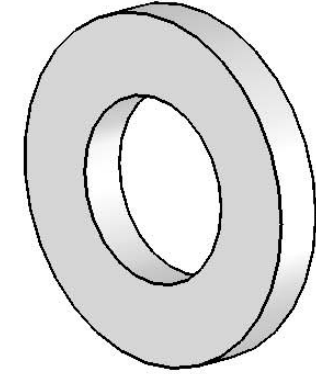
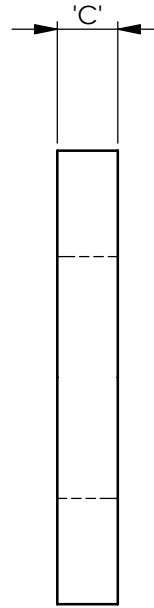
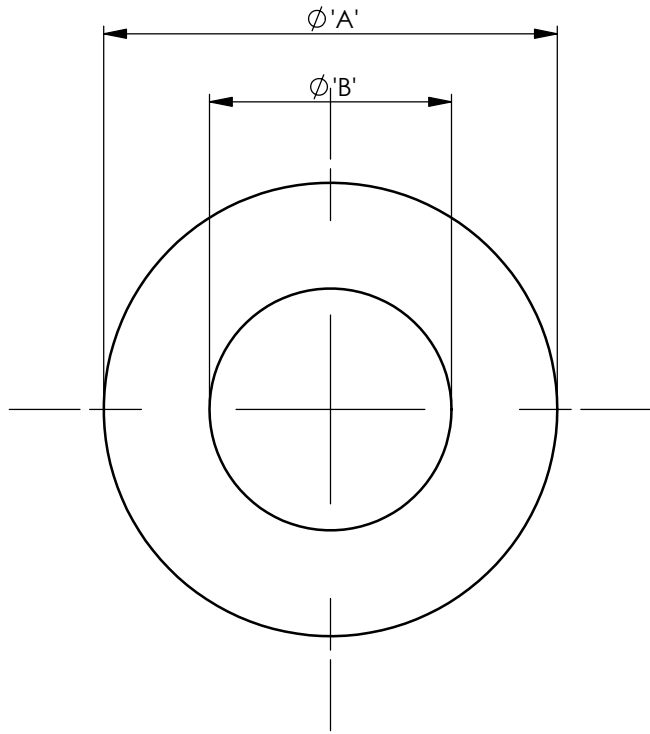


REV.	MODIFICATION.	DATE	DRN
01	NEW DRAWING	19/10/04	NJB
02	ECN2005-075	21/06/05	OW



NOTES:
 1) ALL PRIMARY DIMENSIONS IN mm,
 SECONDARY DIMENSIONS IN INCHES.
 2) PART PRODUCED ACCORDING TO DIN-34815.

AVAILABLE BY SPECIAL ORDER- NAFTA REGION ONLY

NWE-34815-M6	M6	12.0 (-0.43 +0) [.473 (-.017 +0)]	6.4 (-0 +0.22) [.252 (-0 +0.009)]	1.6 (±0.2) [.063 (±.008)]
NWE-34815-M5	M5	10.0 (-0.36 +0) [.394 (-.014 +0)]	5.3 (-0 +0.18) [.209 (-0 +.007)]	1.0 (±0.1) [.040 (±.004)]
NWE-34815-M4	M4	9.0 (-0.36 +0) [.355 (-.014 +0)]	4.3 (-0 +0.18) [.170 (-0 +.007)]	0.8 (±0.1) [.032 (±.004)]
NWE-34815-M3	M3	7.0 (-0.36 +0) [.276 (-.014 +0)]	3.2 (-0 +0.18) [.126 (-0 +.007)]	0.5 (±0.05) [.020 (±.002)]
NWE-34815-M2.5	M2.5	6.5 (-0.36 +0) [.256 (-.014 +0)]	2.7 (-0 +0.18) [.107 (-0 +.007)]	0.5 (±0.05) [.020 (±.002)]
PART REF:	M	ØA	ØB	C

INFORMATION CONTAINED IN THIS DOCUMENT IS CONFIDENTIAL TO RICHCO INTERNATIONAL Co. Ltd. AND MAY NOT BE DISCLOSED OR REPRODUCED IN WHOLE OR PART WITHOUT THEIR WRITTEN CONSENT



METRIC GENERAL TOLERANCES ±0.25
 ARE PRIMARY UNLESS OTHERWISE STATED
 1 DECIMAL PLACE ±
 2 DECIMAL PLACES ±
 ANGULAR ±1°

IMPERIAL GENERAL TOLERANCES ±0.010
 ARE FOR REFERENCE UNLESS OTHERWISE STATED
 1 DECIMAL PLACE ±
 2 DECIMAL PLACES ±
 ANGULAR ±1°

MATERIAL: NYLON 6/6 (RMS-174)		COLOUR: NATURAL	
TITLE: WASHER		PART No: NWE-34815-MX	
DRG No: 04-119	NPR REF:		SIZE A4
DRN NJB	DATE 19/10/04	CHKD I.C	DATE 19/10/04
SCALE NTS	SHEET No 1 OF 1		

X-ON Electronics

Largest Supplier of Electrical and Electronic Components

Click to view similar products for [richco](#) manufacturer:

Other Similar products are found below :

[KLB450ART](#) [RBS-5-BK](#) [RRC-16-9-28-M2](#) [RRH-142-80-150](#) [LEDS2E-8-01](#) [RRC-16-9-28-M1](#) [RT-310-190-222](#) [RLCBSR-10-01](#) [OFST-1-L](#)
[RFS1-15-7-A5](#) [DLCBST-5-01](#) [RT-145-102-80](#) [RSH6-76100-50A](#) [RFP1-34-28-A5](#) [CAT-15-PP-BU](#) [CAT-32-PP](#) [RT-142-64-135](#) [FGPT-92](#)
[MFTH-2-01A-RT-M](#) [RT-290-190-77](#) [BMS-SAX300MM](#) [RRH-110-50-250](#) [SHR-32-6NB](#) [RCP-040-T](#) [LEDS2M-440-01](#) [SHR-C2](#) [CBSS-8-](#)
[01](#) [RRH-120-85-150](#) [RFS1-15-15-A5](#) [RT-280-160-75](#) [MB-1-156](#) [RFS1-17-15-A5](#) [RFS2-34-12-2-A5](#) [RT-175-95-127](#) [RT-290-190-75](#) [RT-](#)
[70-35-40](#) [SNGS-2](#) [SPGSG-2](#) [RT-100-70-50](#) [WSB-2-01A-RT](#) [SP3-4-01](#) [RT-100-70-70](#) [RRH-186-102-286](#) [SHR-32-PPB](#) [VMCGN120-M3-L-](#)
[K](#) [OFHB3-4-19A-RT](#) [RRH-140-90-150](#) [RT-160-120-80](#) [RSFS-450](#) [MSPMST-10-01](#)