

(2,54 mm) .100"

LST, HLST SERIES

SELF-MATING HERMAPHRODITIC STRIP

SPECIFICATIONS

For complete specifications see www.samtec.com?LST or www.samtec.com?HLST

LST

Insulator Material:
LST: Black
Glass Filled Polyester
Terminal Material:
Phosphor Bronze
Contact Material:
Phosphor Bronze
Plating:
Au or Sn over 50µ" (1,27 µm) Ni



Operating Temp Range:
-55°C to +125°C with Gold
-55°C to +105°C with Tin

Insertion Depth:
(3,68 mm) .145" to (6,35 mm) .250"

Insertion Force:
(Single contact only)
6 oz (1,67 N) avg

Withdrawal Force:
(Single contact only)
4 oz (1,11 N) avg

Cycles:
100 with 10µ" (0,25 µm) Au
RoHS Compliant:
Yes

Lead-Free Solderable:
Wave Only

HLST

Same as LST except:
Insulator Material:
Liquid Crystal Polymer (Socket Black, Header Natural)
Lead-Free Solderable:
Yes



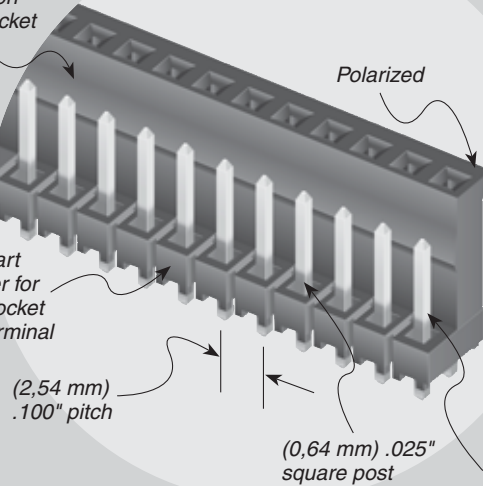
Note: Some lengths, styles and options are non-standard, non-returnable.

Mates with:
LST, HLST

Hermaphroditic self-mating combination header/socket system



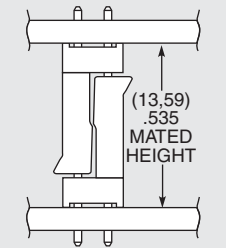
One part number for both socket and terminal



(2,54 mm) .100" pitch

(0,64 mm) .025" square post

APPLICATION



Locking feature increases unmating force and provides audible "click" when properly mated

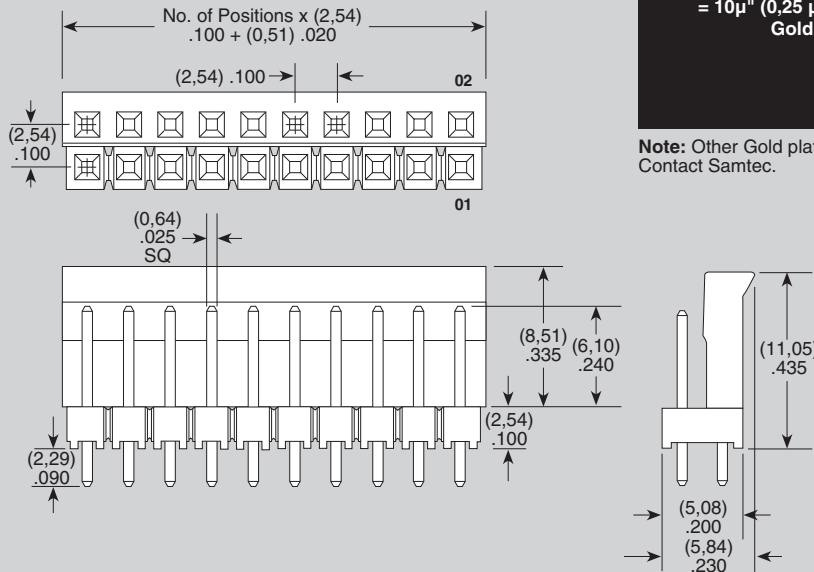
CURRENT RATING (PER CONTACT)	
AMBIENT TEMP	5 Contacts
20°C	6.0A
40°C	5.3A
60°C	4.2A
80°C	3.0A

TYPE STRIP	1	NO. PINS PER ROW	07	PLATING OPTION	D
LST = Standard		HLST = High Temperature	02 thru 30	-F = Gold flash on contact area, Matte Tin on tail	
				-G = 10µ" (0,25 µm) Gold on contact area, Gold flash on balance	
				-T = Matte Tin	

Note: Other Gold plating options available. Contact Samtec.

Also Available

- Right Angle**
Call Samtec.
- Elevated**
Call Samtec.
- Surface Mount**
Call Samtec.
- Edge Mount**
Call Samtec.



Due to technical progress, all designs, specifications and components are subject to change without notice.

WWW.SAMTEC.COM

X-ON Electronics

Largest Supplier of Electrical and Electronic Components

Click to view similar products for [Headers & Wire Housings](#) category:

Click to view products by [Samtec](#) manufacturer:

Other Similar products are found below :

[95000-104TRLF](#) [10135584-644402LF](#) [DF62W-EP2022PCA](#) [95000-106TRLF](#) [DF62W-2022SCA](#) [DF62W-EP2022PC](#) [2203348](#) [DF62W-2022SC](#) [1084018](#) [1029039](#) [1084017](#) [802-10-012-10-002000](#) [1112640](#) [1112639](#) [000-34000](#) [0008550134](#) [0009482033](#) [0009507031](#) [57102-F02-18ULF](#) [57102-S06-03LF](#) [57202-S52-04LF](#) [PCN6-15S-2.5E](#) [0039019024](#) [58102-G61-06LF](#) [582553-1](#) [0009485154](#) [0009508121](#) [009176003701906](#) [0022285053](#) [0050291907](#) [018731A](#) [LY20-4P-DT1-P1E-BR](#) [02.125.8002.8](#) [60101931](#) [60598-1 \(Cut Strip\)](#) [M1625-3R/100](#) [61062-3](#) [61082-181009](#) [CSU011177004](#) [636-1427](#) [638009-1](#) [641938-9](#) [641991-4](#) [644168-1](#) [644827-2](#) [647662-1](#) [65039-019ELF](#) [65692-001LF](#) [65781-018](#) [65781-047](#)