



# Precision Devices, Inc.

8840 N. Greenview Dr.  
Middleton, WI 53562  
Phone: 608-831-4445  
1-800-274-XTAL  
Fax: 608-831-3343



Visit our web site at [www.pdixtal.com](http://www.pdixtal.com)

Sales Information

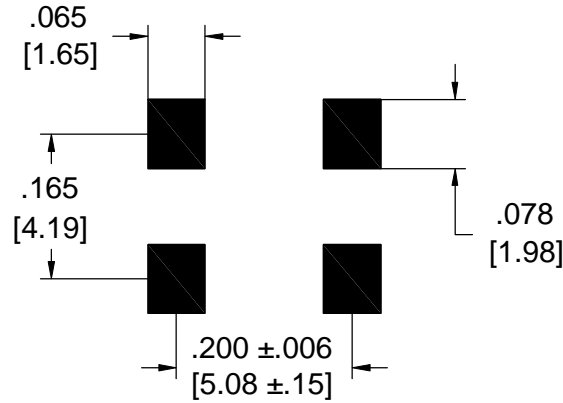
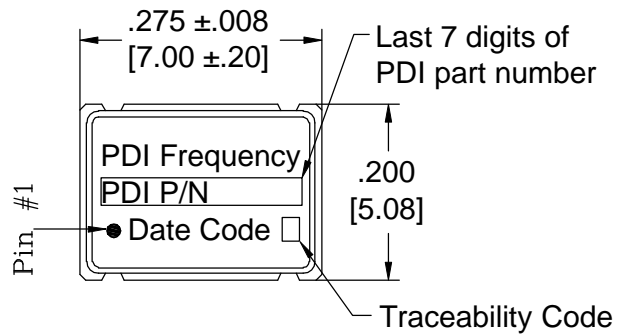
[sales@pdixtal.com](mailto:sales@pdixtal.com)

## Electrical Specifications

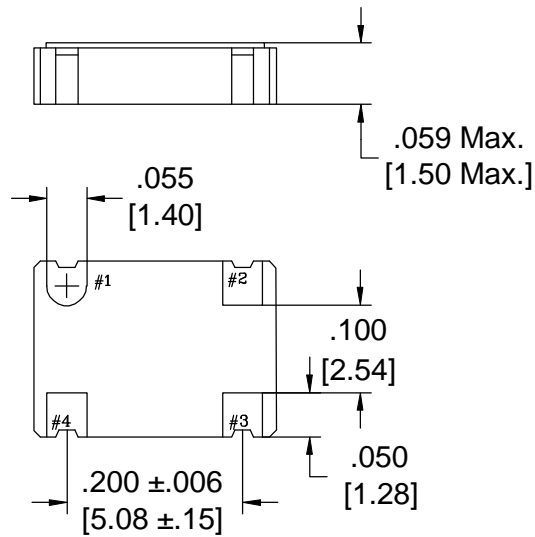
- Center Frequency: 50.000000MHz
- Output: TTL/CMOS
- Frequency Tolerance at +25°C: ±25ppm
- Operating Temperature Range: -40°C to +85°C
- Frequency Stability: ±25ppm
- Storage Temperature Range: -55°C to +125°C
- Duty Cycle: 40/60% Max., 45/55% Typ.
- T-Rise, T-Fall: 6.0ns Max., 2.0ns Typ.
- Supply Current: 50mA for 70MHz, 25mA for 25MHz
- Supply Current O.T.: N/A
- Supply Voltage: +3.3Vdc ±10%
- Jitter: 4.0ps Rms Max.

The information contained in this drawing is the sole property of Precision Devices Inc. Any reproduction in part or as a whole without the written permission of Precision Devices Inc. is prohibited.

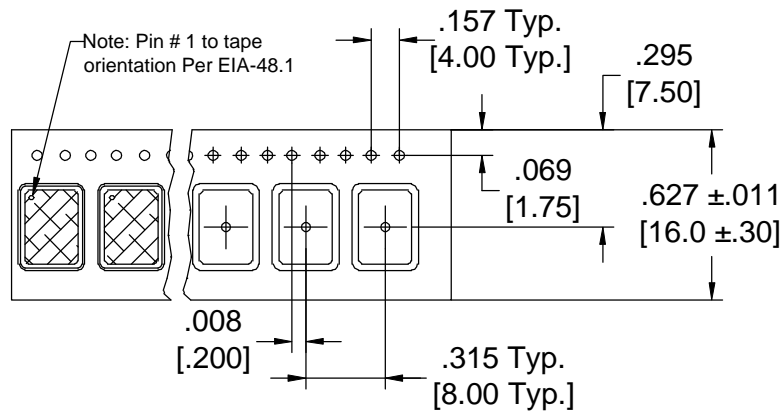
REV.	DATE	PAGE	DESCRIPTION	Auth.	ECN	Originator	Date	Engineering	Date
						J.R.B.	1/14/05	D.T.	1/14/05
						TITLE Crystal Oscillator Assembly		FKA 4789R	
						PART NUMBER <b>OC7T50000XCDDR</b>			
						DATE 1/14/05	SCALE N.T.S.	ECN. E0002	REV. A
						SIZE A	CAGE OS4G1		Page 1 of 2



Recommended Land Pattern



PIN	CONNECTION
1	Tri-State
2	Ground
3	Output
4	Vcc



# Precision Devices Inc.

8840 N. Greenview Dr.  
Middleton WI 53562  
608-831-4445  
1-800-274-XTAL



Manufacturer of Quartz Crystal Products

DECIMAL	DWG FILE	PART NUMBER	
XX=±.020 XXX=±.008	4789R	OC7T50000XCBDRX	
METRIC	SCALE	FREQUENCY	DRAWN BY
XX=±.50 XXX=±.20	N.T.S.	50.000000MHz	J. Bender
ANGULAR	DRAWING TYPE	DATE	
XX=±2°	Crystal Oscillator Assembly	1/14/05	
	REV. LEVEL	ECN NO.	CAGE CODE
	A	E0002	OS4G1

## **X-ON Electronics**

Largest Supplier of Electrical and Electronic Components

*Click to view similar products for [wi2wi](#) manufacturer:*

Other Similar products are found below :

[CR101B/U11M05920](#) [OC7EC12500CBDRX](#) [C711980XFAS30XX](#) [W2SW0001-SHLD](#) [L416000XFCDEBX](#)