

Series 440 - Ceramics

High Power UV - LED

preliminary

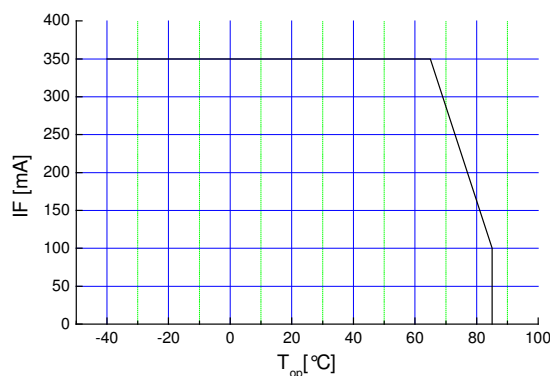
Features

- size 3.8(L) x 3.8(W) x 0.9(H) mm
- circuit substrate: AlN Ceramics
- devices are ROHS conform
- lead free solderable. soldering pads: silver plated
- taped in 16 mm blister tape. cathode to transporting perforation
- all devices sorted into luminous intensity classes
- taping: face-up (T)
- high radiation intensity types



Absolute Maximum Ratings

$I_{F, max}$ [mA]	$I_{F, P}$ [mA] $100 \mu s \tau=1: 10$	$t_p \leq$	V_R [V]	allowable $I_{R, max}$ [mA]	Thermal resistance R_{thJA} [K / W]	T_{Op} [°C]	T_{St} [°C]
350	800		1	20	10	-40...85	-40...100



Maximal forward current (DC) characteristic

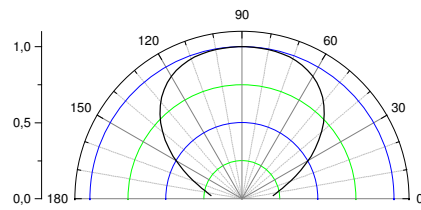
electrostatic discharge classification (MIL-STD-883E)

class 1

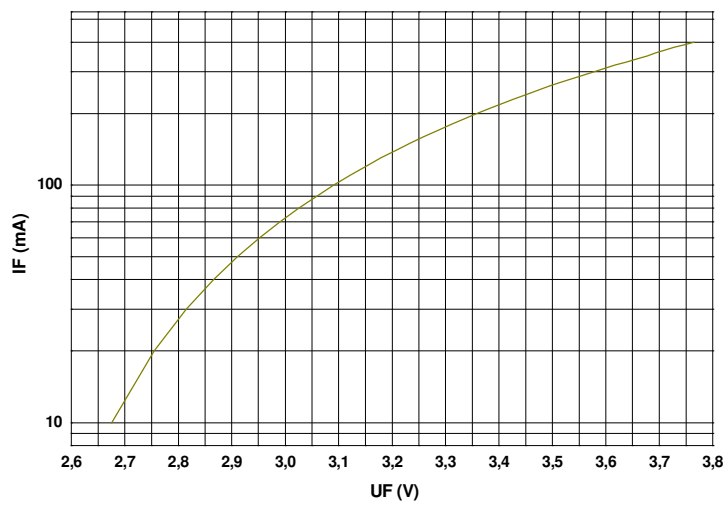
Electro-Optical Characteristics

Type	Marking at	measured at I_F [mA]	V_F [V]		λ_p [nm]		I_e [mW/sr]		Φ_e [mW]	
			typ	max	min	max	min	max	min	max
OCU-440 UE365	cathode	350	3.6	4.5	365	370	15	32	40	90
OCU-440 UE380	cathode	350	3.6	4.5	380	385	32	55	90	160
OCU-440 UE390	cathode	350	3.6	4.5	390	395	45	95	130	260
OCU-440 UE400	cathode	350	3.6	4.5	400	405	70	110	190	310

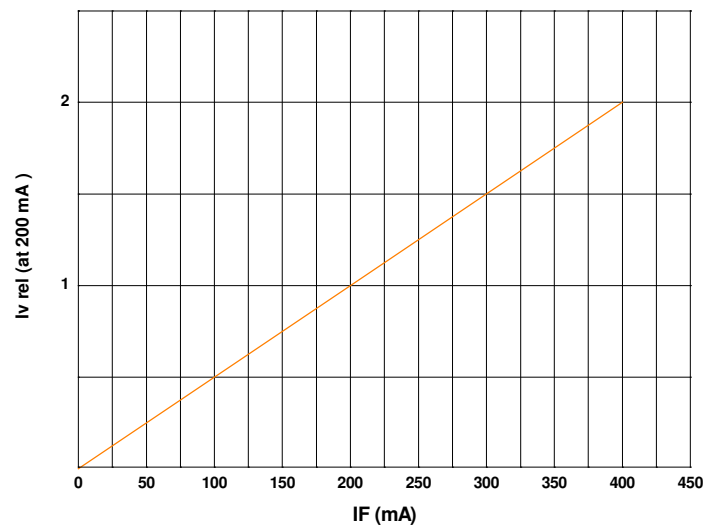
Wavelength between 365 and 420 nm upon request possible



view angle

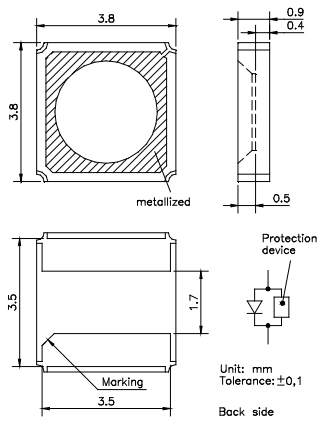


$U_F - I_F$
characteristic

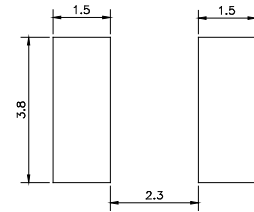


$I_F - I_{v, rel}$
characteristic

Outline Drawing

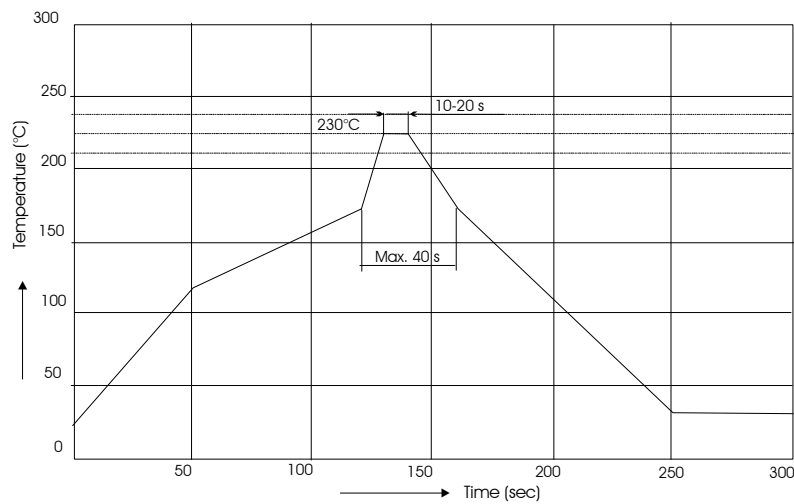


Recommended Soldering Patterns

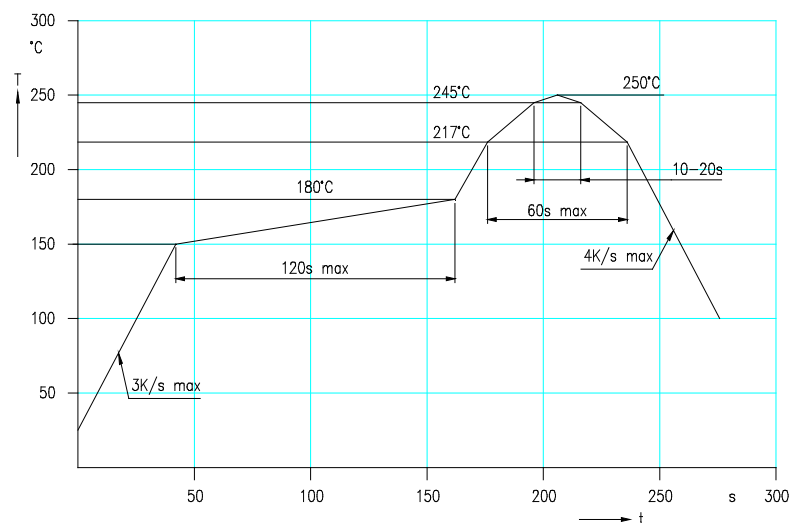


recommended min. thermal resistance
device-ambient: 20 K/W
4x4 mm² on IMS
with insulating thickness < 70 µm

Soldering Conditions



IR reflow
soldering
profile



IR reflow
soldering
profile for lead
free soldering

Manual soldering: max power of iron 25W/ 3s/ 300°C

Ordering Code For Parts

Series	Color	Encapsulation	Packaging
OCU-440	???????	X	T
		X - uncolored clear	T - taped

Type definition, e.g. OCU-440 UE390-X -T

LED Intensity Groups [mW/sr]

(general information – not this device specific)

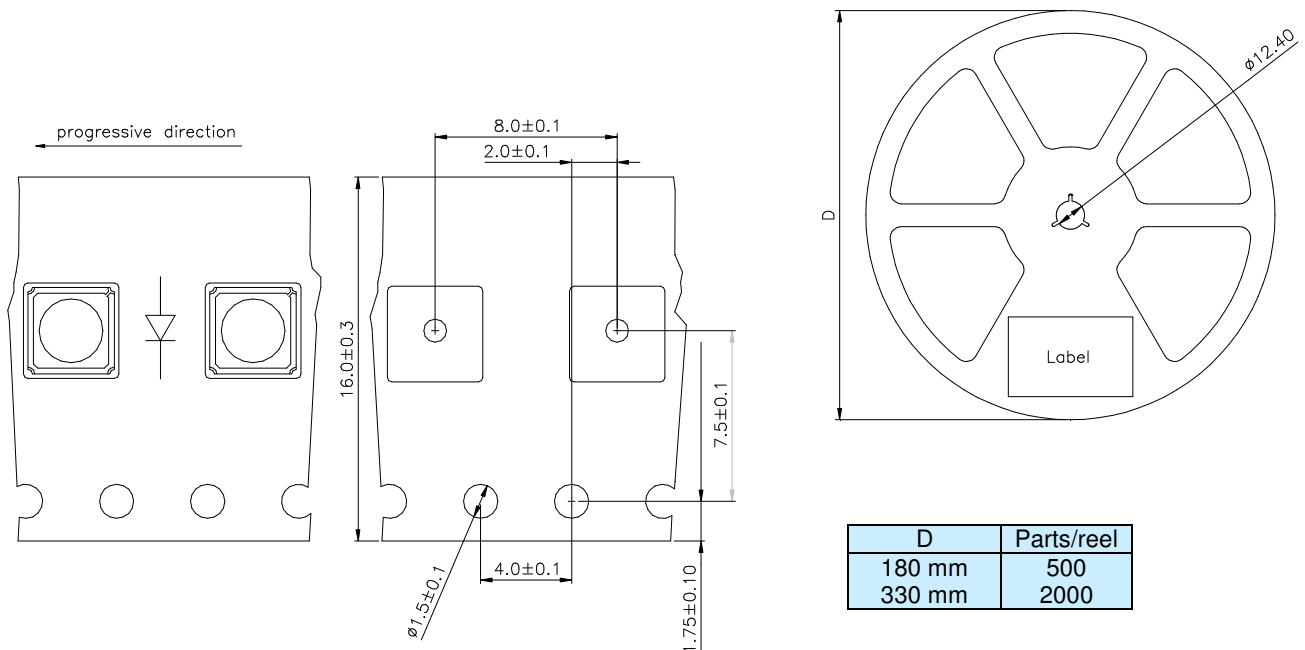
N:	28	-	45
P:	45	-	71
Q:	71	-	112
R:	112	-	180
S:	180	-	280
T:	280	-	450
U:	450	-	710
V:	710	-	1120
W:	1120	-	1800
X:	1800	-	2800
Y:	2800	-	4500
Z:	4500	-	7100

Measured according to CIE 127. All SMD-LEDs are 100% measured and selected on full automated equipment with an accuracy of ± 11 %.

Warnings and Handling Instructions

- **UV LEDs emit intense but mainly invisible ultraviolet radiation when in operation, which may be harmful to eyes, even for brief periods.**
- *** DO NOT LOOK DIRECTLY INTO THE UV LED DURING OPERATION ***
- *** BE SURE THAT YOU AND ALL PERSONS IN THE VICINITY WEAR SAFETY GOGGLES THAT PROVIDE SUITABLE UV PROTECTION WHEN A UV LED IS OPERATING ***
- *** KEEP CHILDREN AWAY FROM THE OPERATING VICINITY ***
- *** KEEP UV LEDs OUT OF THE REACH OF CHILDREN ***
- **If you incorporate a UV LED into a product, be sure to provide appropriate cautionary labels and instructions.**
- **Please follow all standard procedures for storing, handling, cleaning, mounting, soldering, disposal, or otherwise handling LED dies or packaged LEDs, including static electricity protection.**
- **The user has the responsibility to inform, train and instruct customers and coworkers**
- **UV- LED are ESD sensitive (Class1). The handling and usage have to consider this device property**

Tape And Reel Packing



Packing: The reel is sealed in special plastic bag with integrate ESD protection (MIL - STD 81705) including a silica dry-pack

Label

Order No.	XXXXXXXXXX	Customer order No.
Type	OCU-440 ?????-??-T	
Intensity group	ZZ	Color class: CC
Charge No.	1122-AAAAAA	11 Week – 22 year – A internal identification
Quantity	9999	

Attention please:

The information describes the type of component and shall not considered as assured characteristics. Terms of delivery and rights to change reserved. Due to technical requirements components may contain dangerous substances. The data sheet may changed without prior information; the valid issue will be on our webpage in internet. Parameters can vary in different applications. All operating parameters must be validated for each customer application by the customer. OSA opto light does not have the responsibility for the reliability and the degradation behaviour of products made with OSA opto light diodes because they depend not only on the diode but also on the conditions of manufacture or design of the final products.

Packaging: Please use the recycling operators known to you.

Components used in life support devices or systems and safety systems must be expressly authorized for such purpose!

X-ON Electronics

Largest Supplier of Electrical and Electronic Components

Click to view similar products for [osa opto light manufacturer](#):

Other Similar products are found below :

[OLS 330 MY](#) [EOLD-355-525](#) [EOLD-1550-525](#) [OIS-330-IT940-T](#) [OLS-330GC525-X-T](#) [OIS 150 880](#) [OLS 330 MG 525](#) [OLS-153MSD/GC525-T](#) [OCU 400-UC375](#) [OIS-330-740-X-T](#) [OIS-330-IT855-T](#) [OLS 330 MB 460](#) [OLS 330 EG 525](#) [OIS-150-IT940-T](#) [OIS 170 880](#) [OLS-336BA460-X-TU](#) [OIS 330 770](#) [OLS 159 SR/G](#)