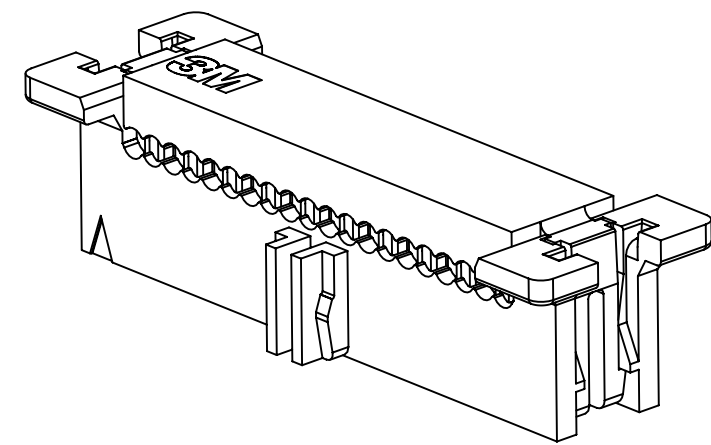
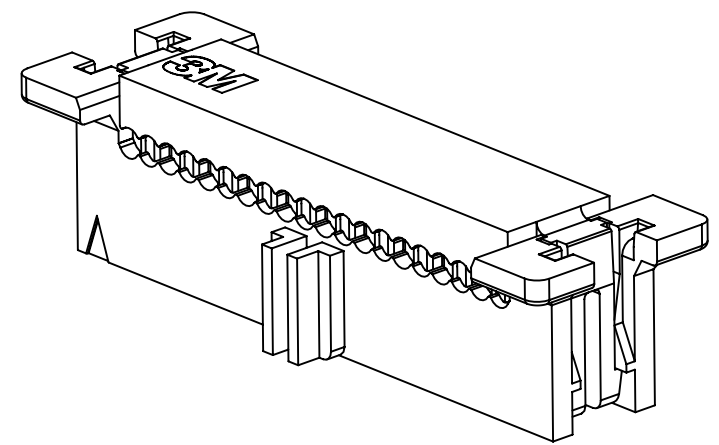


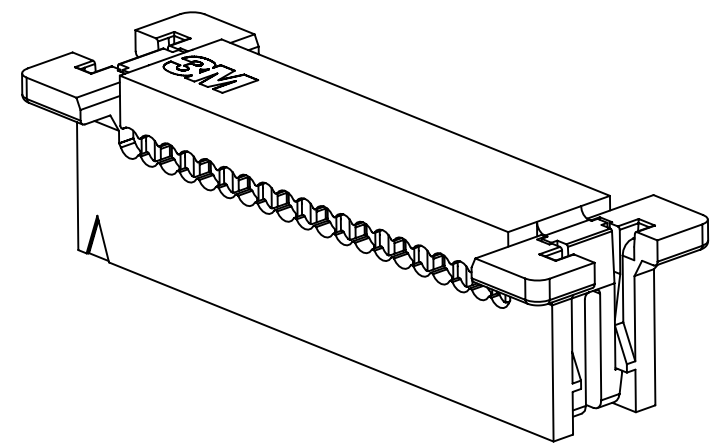
3M™ RIBBON CABLE WIREMOUNT SOCKET ASSEMBLY,
 .05" X .05" (1.27mm X 1.27mm) PITCH, 451 SERIES



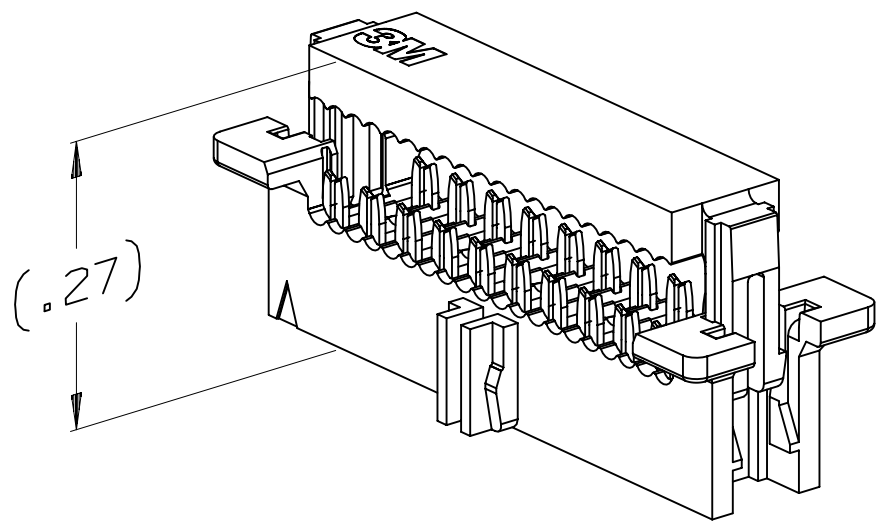
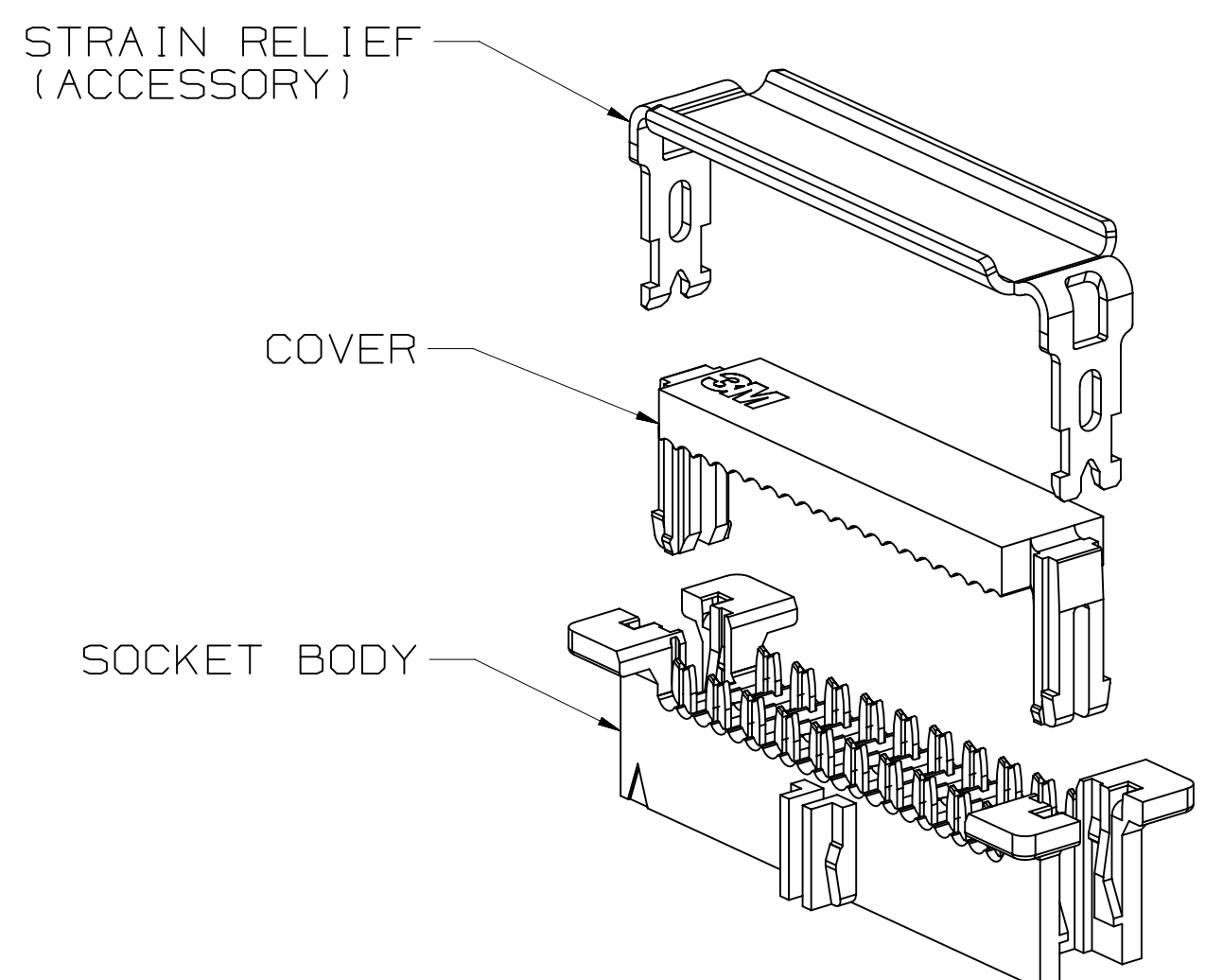
CENTER POLARIZATION
AND FRICTION LATCH



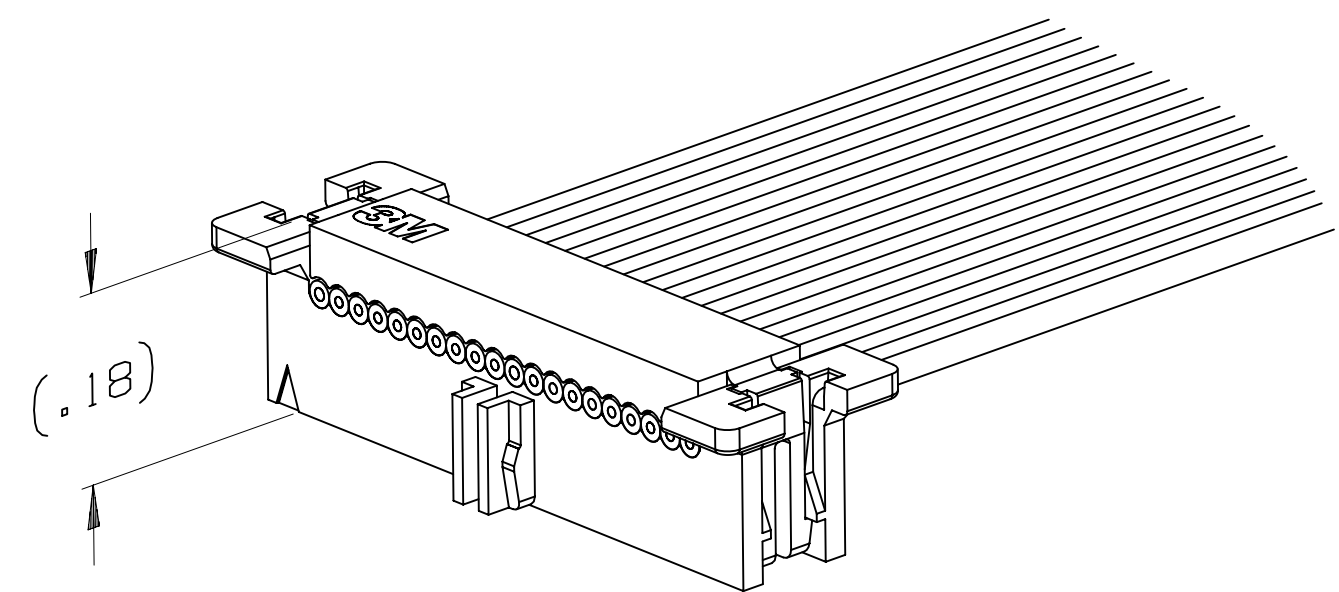
CENTER POLARIZATION
AND NO FRICTION LATCH



NO CENTER POLARIZATION
AND NO FRICTION LATCH

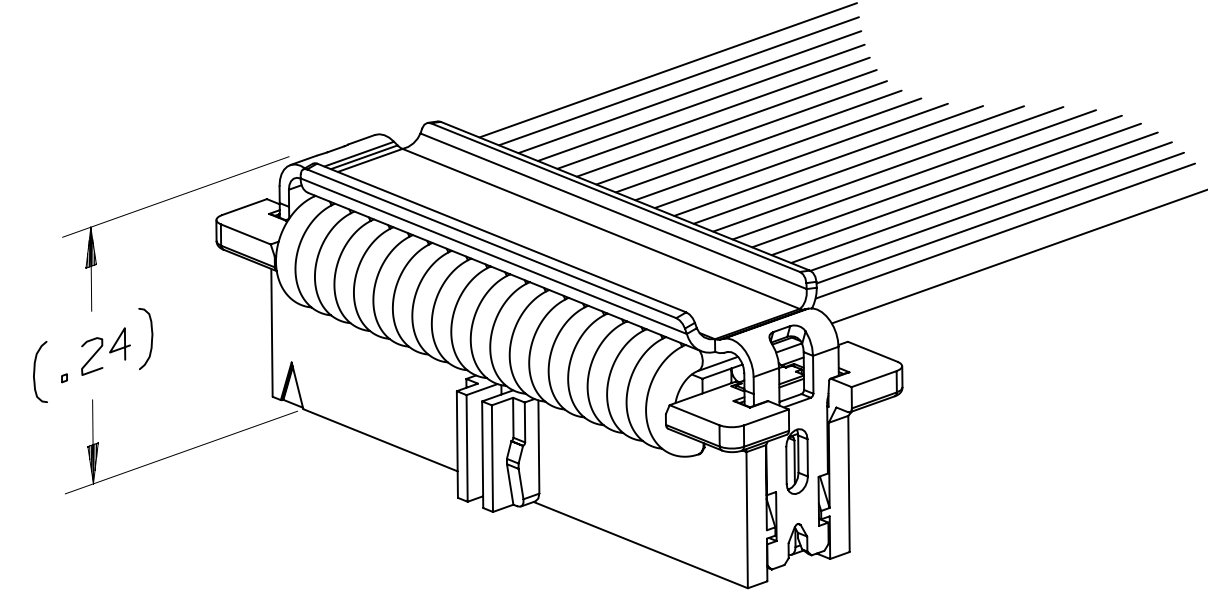


PRE-POSITIONED COVER



NO STRAIN RELIEF

TERMINATED
CONNECTOR



WITH OPTIONAL
STRAIN RELIEF

Performance:	
Current Rating:	1.0 A, all lines energized, 30C temp rise per EIA 364-70 1.5 A, 6 lines energized, 30C temp rise per EIA 364-70 2.5 A, 1 line energized, 30C temp rise per EIA 364-70
Voltage Rating:	125V min
Insulation Resistance:	> 1 x 10 ⁹ Ohms at 500 VDC
Withstanding Voltage:	1250VACrms at sea level
Operating Temperature:	-55°C to +105°C

ORDERING INFORMATION
FOR RAPID INSTALLATION ON
RIBBON CABLE APPLICATIONS

451 XX - 0 X 0 0 XX

SERIES ——— PLATING
 00 = AU FLASH
 30 = 30μ" GOLD

POSITION COUNT ———
 04 - 30
 SEE TABLE 1

OPTIONAL FEATURES
 0 = NONE SPECIFIED

PACKAGING
 0 = STANDARD (TRAYS)

CENTER POLARIZATION / FRICTION LATCH
 0 = NO CENTER POLARIZATION (CP) (04-30 POS.)
 1 = CP NO FRICTION LATCH (08 - 30 POS.)
 2 = CP WITH FRICTION LATCH (08 - 30 POS.)

NOTE:
 FRICTION LATCH (OPTION 2) IS NOT SUITABLE
 FOR HEADER WITH LATCH EJECT OPTION

ACCESSORY: STRAIN RELIEF
 3448-451XX

POSITION COUNT
 04 - 30

APPLICATION TOOLING:
 ALUMINUM: 3443-82-XX

POSITION COUNT
 04 - 30

- NOTES
- MATERIAL:
 BODY: PBT, UL94V-0
 COVER: PBT, UL94V-0
 STRAIN RELIEF: 304 STAINLESS STEEL
 CONTACTS: COPPER ALLOY.
 - PLATING:
 50-150μ" NICKEL UNDERPLATE
 30 = 30μ" MIN. GOLD ON WIPING AREA
 00 = FLASH GOLD ON WIPING AREA.
 - RIBBON CABLE COMPATIBILITY:
 GENERAL:
 0.025" PITCH PVC, PO, TPE, OR FEP CABLE 30 AWG, SOLID OR 7 STRAND.
 RECOMMENDED:
 3M 3754, 3749, HF447 SERIES CABLE.
 - MATING COMPATIBILITY:
 3M .050" X .050" SERIES 452 HEADER WITH LATCH/EJECT OPTION.
 - REGULATORY INFORMATION:
 ROHS COMPLIANT. SEE THE REGULATORY INFORMATION APPENDIX (RIA) IN THE "ROHS COMPLIANCE" SECTION OF WWW.3MCONNECTORS.COM FOR COMPLIANCE INFORMATION (RIA E1 & C1 APPLY)
 - IN THE EVENT OF CONFLICT BETWEEN THIS DATA AND THAT CONTAINED IN THE PRODUCT SPECIFICATION, THE PRODUCT SPECIFICATION TAKES PRECEDENT.
 - REFERENCE RELATED DOCUMENTS:
 PRODUCT SPECIFICATION:
 3M DOC. ID# 78-5102-0091-4.
 - TOOLING AND INSTALLATION INSTRUCTIONS:
 3M DOC. ID# 78-9101-5361-4
 - OTHER PIN COUNTS AVAILABLE UPON REQUEST. CONTACT 3M.
 - PACKAGING:
 SOCKET: TRAY
 COVER: BAG

3M™ ELECTRONIC SOLUTIONS DIVISION
 INTERCONNECT SOLUTIONS
<http://www.3mconnectors.com>

3M IS A TRADEMARK OF 3M COMPANY.
 FOR TECHNICAL, SALES OR ORDERING
 INFORMATION CALL 800-225-5373

DESIGN REFERENCE	NEXT ASSEMBLY	REV	ECO	ISSUE DATE AND DESCRIPTION	DRFT	CHKD
		B	48635	JUL 12, 2013 MATCH TEXT FONTS & ADD NOTE 10	JNC	SN
		A	46797	MAR 25, 2013 PRODUCTION RELEASE	JNC	SAN

DATE	DATE	DATE	DATE
ARM	FEB 11, 2011	MFG	
CHKD		APRVL	FEB 11, 2011

DIVISION	DIVISION CODE
Interconnect Solutions	ISD

DO NOT SCALE DRAWING	SCALE	TOLERANCES EXCEPT AS NOTED
	6-1	

INCHES	MILLIMETERS
.00 ± .01	0 ± .25
.00 ± .02	0 ± .50
.000 ± .010	0 ± .25
.0000 ± .005	0 ± .125

INTERPRET PER ASME Y14.5 - 1994	THIRD ANGLE PROJECTION

MAX SURFACE ROUGHNESS	MAX SURFACE ROUGHNESS
0.8	0.8
0.4	0.4
0.2	0.2

TITLE	CAGE NUMBER	SIZE	DRAWING NO.	REV.
RIBBON CABLE SOCKET, .05 X .05 PITCH, 451 SERIES	D		78-5100-2436-3	B

MODEL: 78-5100-2436-3 B

DATE: FEB 11, 2011

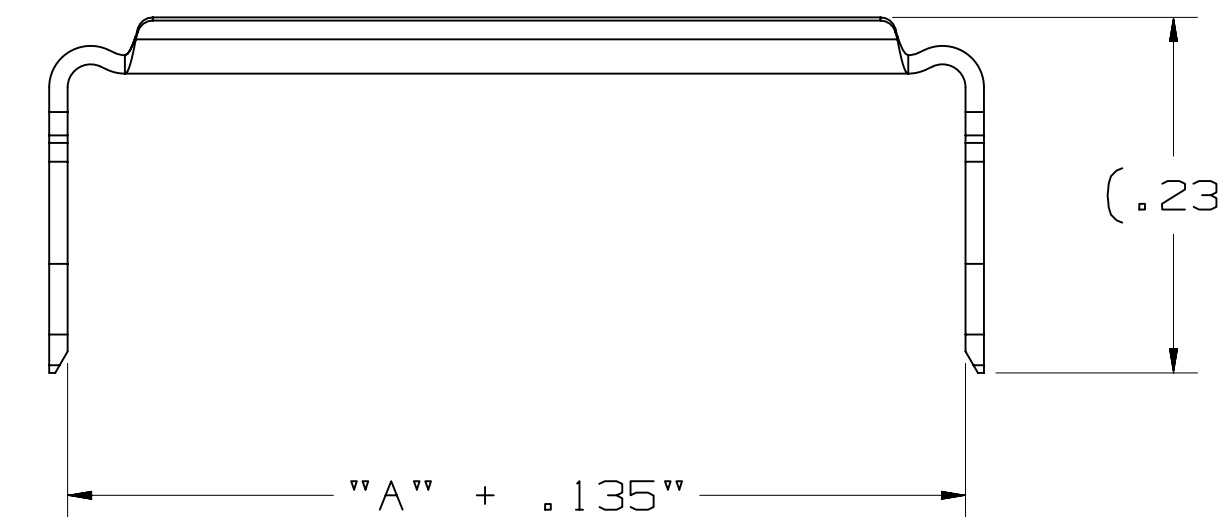
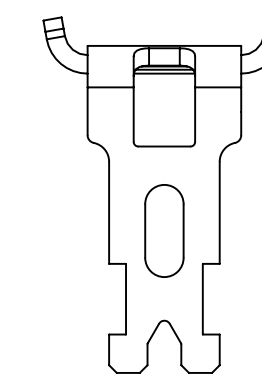
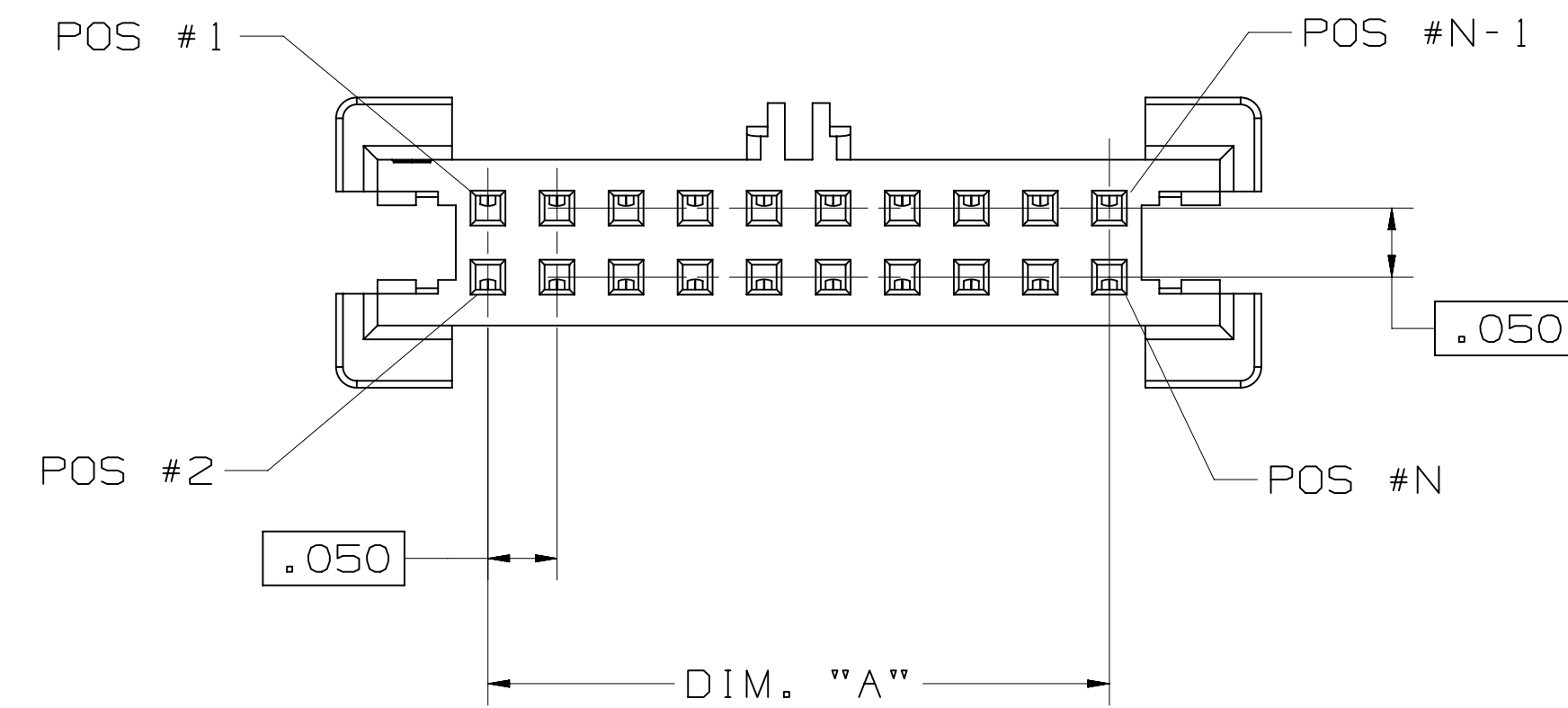
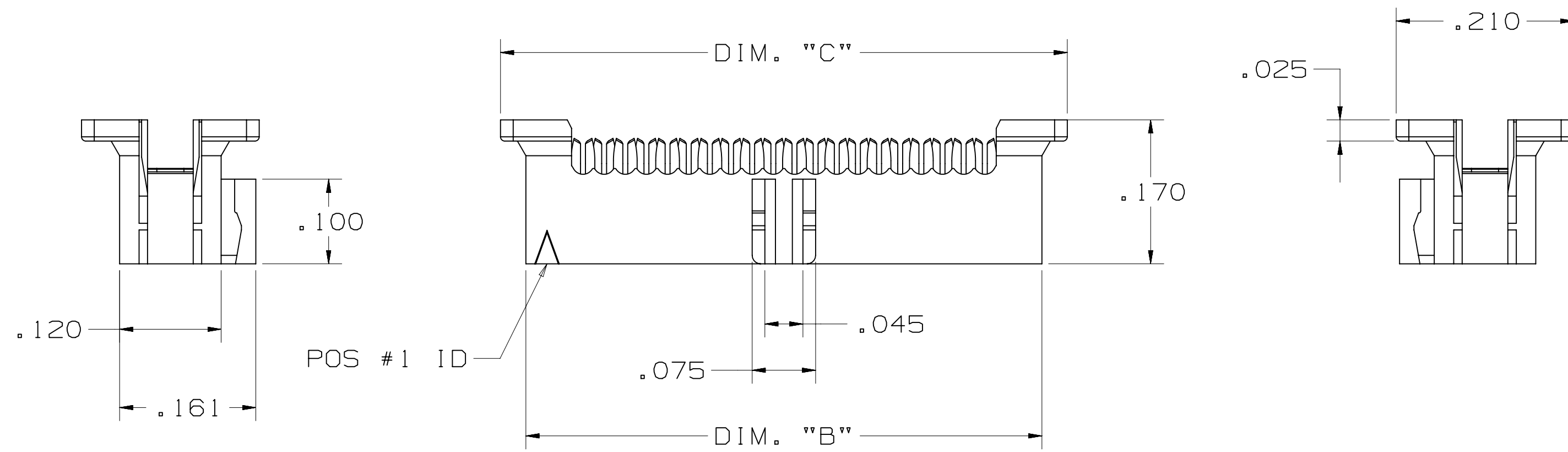
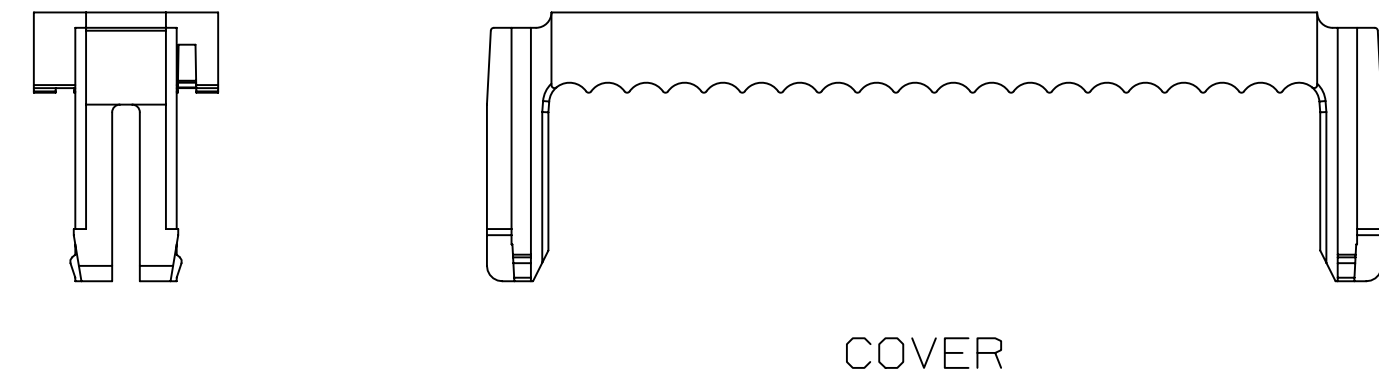
ISSUES: YES NO SHT 1 OF 2

78-5100-2436-3
 DRAWING NUMBER
 B
 REVISION
 7/12/2013 2:35 PM UTC-05:00
 Imaged: B.1 7/12/2013 2:35 PM UTC-05:00

3M™ RIBBON CABLE WIREMOUNT SOCKET ASSEMBLY,
 .05" X .05" (1.27mm X 1.27mm) PITCH, 451 SERIES

TABLE 1

No. Positions	Dim "A"	Dim "B"	Dim "C"
4	.050	.210	.270
6	.100	.260	.320
8	.150	.310	.370
10	.200	.360	.420
12	.250	.410	.470
14	.300	.460	.520
16	.350	.510	.570
20	.450	.610	.670
30	.700	.860	.920



ACCESSORY - STRAIN RELIEF
 PART NUMBER 3448-451XX

DESIGN REFERENCE	NEXT ASSEMBLY	REV	ECO	ISSUE DATE AND DESCRIPTION	DRFT	CHKD
				FEB 11, 2011		
				FEB 11, 2011		
				FEB 11, 2011		
DIVISION Interconnect Solutions		DIVISION CODE ISD		DATE FEB 11, 2011		
DO NOT SCALE DRAWING		SCALE 4/1		TOLERANCES EXCEPT AS NOTED		
THIRD ANGLE PROJECTION		INCHES .0 ± .1 .00 ± .02 .000 ± .010 .0000 ± .005		MILLIMETERS 0 ± .1 .00 ± .02 .000 ± .010 .000 ± .005		
INTERPRET PER ASME Y14.5 - 1994		MAX SURFACE ROUGHNESS 125 SURFACES MARKED ONLY		TITLE RIBBON CABLE SOCKET, .05 X .05 PITCH, 451 SERIES		
MODEL NUMBER D78-5100-2436-3		CAGE NUMBER D78-5100-2436-3		REV. B		

78-5100-2436-3
 DRAWING NUMBER
 B
 REVISION
 7/12/2013 2:35 PM UTC-05:00
 A
 SHT 2 OF 2

X-ON Electronics

Largest Supplier of Electrical and Electronic Components

Click to view similar products for [3m manufacturer](#):

Other Similar products are found below :

[SC401U](#) [98-0003-3071-6](#) [80-0012-6467-2](#) [00-054007-70220-7](#) [00-054007-34717-0](#) [5952-3/4"x15yds](#) [021200-40230](#) [6840-2X50-GRAY](#) [701-W](#) [7993MP-2CIRCLE-100](#) [FDV14-187C](#) [FE-5100-5126-4](#) [FE-5100-5273-4](#) [FE-5100-5492-0](#) [8124/14](#) [812510-100](#) [8125/17](#) [813216](#) [8204-3LFM](#) [8425-8](#) [MNG14BCX](#) [FP301-1-6"-Clear](#) [FV14-6C](#) [920102-01-25-R](#) [927739-40](#) [929835-01-28-RK](#) [929974-01-40-R](#) [951240-2520-AR-PR](#) [960X/980X](#) [98-0003-3075-7](#) [HF36564-100](#) [HF625/26-30](#) [1/2-5-4492W](#) [1/2-5-5430](#) [1/2-5-850S](#) [1/2-5-3431](#) [12X12-6-4056B](#) [12X12-6-433](#) [12X12-6-4930](#) [1311](#) [13-500-NB](#) [14526-EZ5B-300-02C](#) [1-4-4658F](#) [14520-EZAB-300-0EC](#) [DSTK9013-3420](#) [DSTK9015-3402](#) [14T26-SZLB-200-0LC](#) [14T50-SZWB-100-0NC](#) [1-5-3437](#) [1-5-4496W](#)