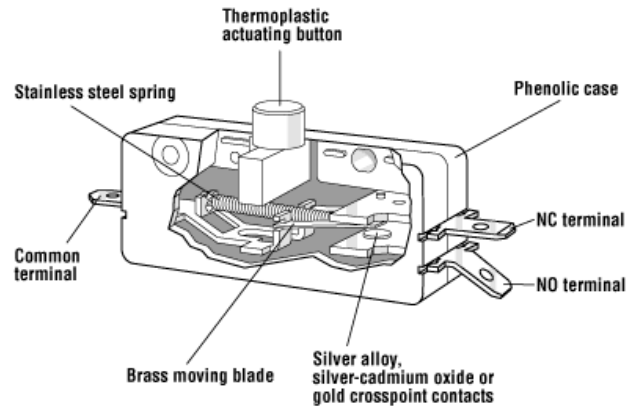
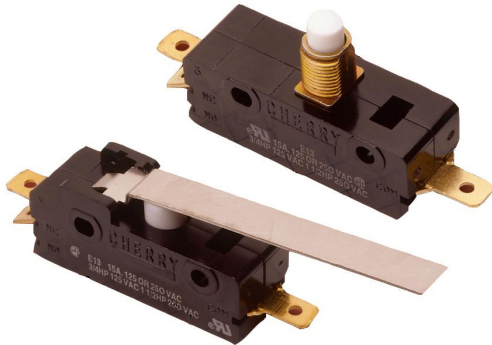


# GENERAL PURPOSE – SINGLE POLE

# E Series



## Features

- Choice of 5 contact ratings
- Long life coil spring, snap action mechanism
- Agency approved extended life versions available
- High Temperature 200°C versions available
- RoHS Compliant

Electrical Ratings and Operating Life		
According to UL1054		
Switch Series	Nominal Load	Operation cycles (Min operations)
G13	0.1A 125VAC, 0.1A 30VDC	6000*
E13	15A, 125/250VAC; 3/4HP 125VAC 1 ½ hp 250VAC; 2A 48VDC	6000*
E14	25A 125/250VAC; 1HP 125VAC 2HP 250VAC; 2A 48VDC	6000
E30	30.1A 125/250VAC; 1HP 125VAC 2HP 250VAC (UL Only)	6000
E29	30.1A 125/250/277 VAC UL Approved Only – Resistive Load Only	6000

- Extended life 105°C UL versions available. Contact factory for more information. Special part number required.

Technical Specifications		Material Specifications	
Temperature Ratings:	-40°C to 105°C (G13, E13, E14) -40°C to 85°C (E29) 150°C & 200°C optional (G13, E13, E14)	Case:	General Purpose Phenolic
		Actuator button:	Thermoplastic Nylon
Flammability Rating:	UL94HB	Common Terminal:	Brass: G13 and E13 Silver Plated Brass: E14 Silver Plated Copper (E29, E30)
			Terminals:
Terminals:	0.250" x 0.032" (6.35mm x 0.81mm)	Moving Blade:	Brass (G13, E13) Silver Plated Beryllium Copper (E14, E29, E30)
			Spring:
CSA File Number	16503	Auxiliary Actuator:	Cold-Rolled Stainless Steel (Nickel Plated)
UL File Number:	E23301	Contacts:	Silver-CdO: E13, E14, E29, E30 Gold Crosspoint: G13

Specifications subject to change



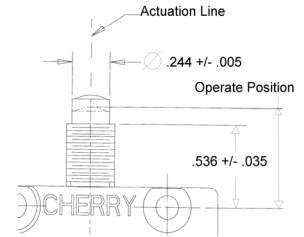
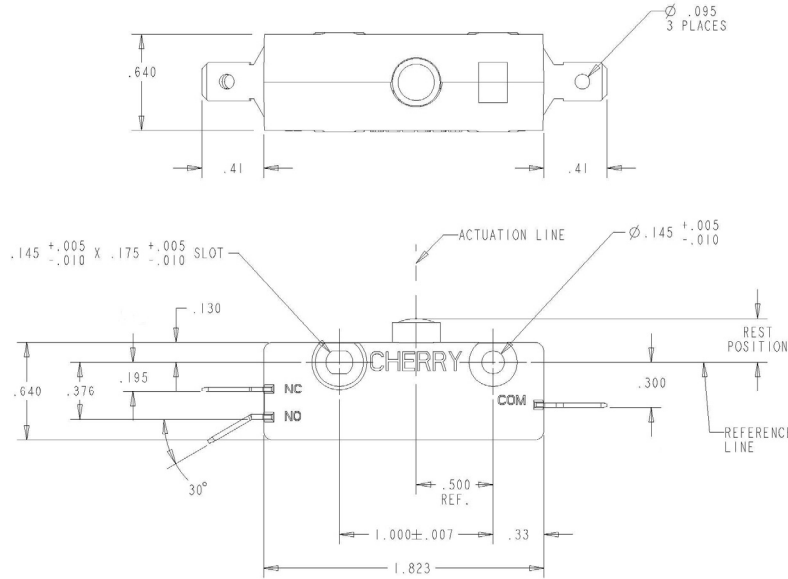
(G13, E13,  
E14 @ T200)



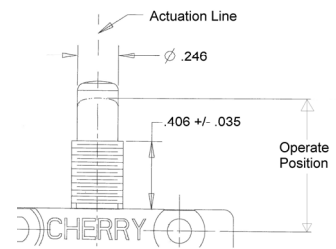
# GENERAL PURPOSE – SINGLE POLE

# E Series

Dimensions - inches



-00J (White plastic button)



-00M (Metal cap over button)

## Commonly Stocked Distributor Items / Preferred Part Numbers

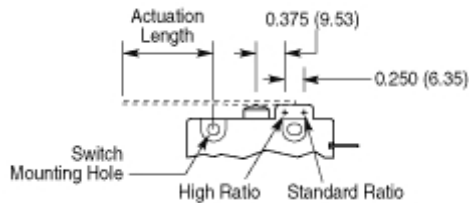
Item Number	EN Rating	UL Rating	Maximum Pretravel inches (mm)	Operating Point inches (mm)	Minimum Overtravel inches (mm)	Max. Movement Differential inches (mm)	Maximum Operating Force (grams)	Actuation Length inches (mm)
0E1300E0	N/A	15A, 125/250VAC; 3/4HP 125VAC 1 1/2HP 250VAC 2A 48VDC	0.050 (1.27)	0.285 +/- 0.020 (7.24 +/- 0.51)	0.100 (2.54)	0.015 (0.38)	425	N/A
0E1300H0	N/A	15A, 125/250VAC; 3/4HP 125VAC 1 1/2HP 250VAC 2A 48VDC	0.250 (6.35)	0.312 +/- .062 (7.93 +/- 1.57)	0.187 (4.75)	0.093 (2.36)	100	1.50 (38.10)
0E1300J0	N/A	15A, 125/250VAC; 3/4HP 125VAC 1 1/2HP 250VAC 2A 48VDC	0.050 (1.27)	0.670 +/- .030 (17.02 +/- 0.76)	0.108 (2.74)	0.015 (0.38)	425	N/A
0E1300K0	N/A	15A, 125/250VAC; 3/4HP 125VAC 1 1/2HP 250VAC 2A 48VDC	0.250 (6.35)	0.718 +/- 0.062 (18.24 +/- 1.57)	0.718 (4.75)	0.093 (2.36)	100	1.39 (35.31)
0E1300M0	N/A	15A, 125/250VAC; 3/4HP 125VAC 1 1/2HP 250VAC 2A 48VDC	0.050 (1.27)	0.812 +/- 0.030 (20.63 +/- 0.76)	0.218 (5.54)	0.015 (0.38)	425	N/A
0E1301E0	N/A	15A, 125/250VAC; 3/4HP 125VAC 1 1/2HP 250VAC 2A 48VDC	0.050 (1.27)	0.285 +/- 0.020 (7.24 +/- 0.51)	0.100 (2.54)	0.015 (0.38)	425	N/A
0E1301H0	N/A	15A, 125/250VAC; 3/4HP 125VAC 1 1/2HP 250VAC 2A 48VDC	0.250 (6.35)	0.312 +/- .062 (7.93 +/- 1.57)	0.187 (4.75)	0.093 (2.36)	100	1.50 (38.10)
0E1350H0	N/A	15A, 125/250VAC; 3/4HP 125VAC 1 1/2HP 250VAC 2A 48VDC	0.343 (8.71)	0.281 +/- 0.062 (7.14 +/- 1.57)	0.187 (4.75)	0.140 (3.56)	65	1.75 (44.45)
0E1400A0	N/A	25A 125/250VAC 1HP 125VAC 2HP 250VAC; 2A 48VDC	0.100 (2.54)	0.248 +/- 0.026 (6.30 +/- 0.66)	0.050 (1.27)	0.015 (0.38)	850	N/A
0E1400H0	N/A	25A 125/250VAC 1HP 125VAC 2HP 250VAC; 2A 48VDC	0.312 (7.93)	0.468 +/- 0.062 (7.93 +/- 0.157)	0.105 (2.67)	0.050 (1.27)	100	0.821 (20.85)
0E1400K0	N/A	25A 125/250VAC 1HP 125VAC 2HP 250VAC; 2A 48VDC	0.348 (8.84)	0.860 +/- 0.062 (21.84 +/- 1.57)	0.130 (3.30)	0.045 (1.14)	285	0.688 (17.47)
0E1400M0	N/A	25A 125/250VAC 1HP 125VAC 2HP 250VAC; 2A 48VDC	0.100 (2.54)	0.775 +/- 0.25 (19.69 +/- 6.35)	0.168 (4.27)	0.015 (0.38)	850	N/A
0E1401M0	N/A	25A 125/250VAC 1HP 125VAC 2HP 250VAC; 2A 48VDC	0.100 (2.54)	0.775 +/- 0.25 (19.69 +/- 6.35)	0.168 (4.27)	0.015 (0.38)	850	N/A
0E1450H0	N/A	25A 125/250VAC 1HP 125VAC 2HP 250VAC; 2A 48VDC	0.525 (13.34)	.437 +/- 0.062 (11.10 +/- 1.57)	0.218 (5.54)	0.080 (2.03)	170	1.071 (27.20)
0G1300M0	N/A	0.1A 125VAC, 0.1A 30VDC	0.050 (1.27)	0.812 +/- 0.030 (20.63 +/- 0.76)	0.218 (5.54)	0.015 (0.38)	425	N/A
0G1350H0	N/A	0.1A 125VAC, 0.1A 30VDC	0.343 (8.71)	0.281 +/- 0.062 (7.14 +/- 1.57)	0.187 (4.75)	0.140 (3.56)	65	1.75 (44.45)



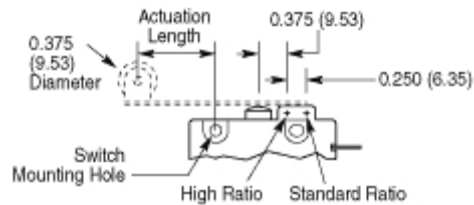
## GENERAL PURPOSE – SINGLE POLE

# E Series

### Actuator Details



Flat Actuator Version



Roller Actuator Version

### “J” and “M” Type Optional Hardware

Brass Hex Nut 0012-0023

Brass Hex Nut (Nickel Plated) 0012-0028

### Mounting

Recommended mounting screw: #6-32 round head. Recommended torque on screw: 6 inch-lbs. max.

Recommended torque on ferrule: 20 inch lbs. max.

### Ordering Information

Select the desired contact rating	Combine with the button/actuator style	Full part number
<b>E13</b>	<b>50H</b>	<b>E13-50H</b>

#### For single throw versions:

Select the desired contact rating	Combine with the button style	SPST – NO	SPST - NC
<b>E13</b>	<b>50H</b>	<b>E13-51H</b> (Add 1 to suffix)	<b>0E13-52H</b> (Add 2 to suffix)

### Contact

Call, fax or visit our Website for more information.

**ZF Electronics Corporation**  
11200 88th Avenue  
Pleasant Prairie, WI 53158

Phone: 262.942.6500  
Web: [www.cherrycorp.com](http://www.cherrycorp.com)  
Email: [cep\\_sales@zf.com](mailto:cep_sales@zf.com)  
Fax: 262.942.6566

The manufacturer accepts no liability for errors or non-availability, and reserves the right to change specifications without prior notice.

Technical data relates to product specifications only. Features may differ from those described. Only drawings combined with product specifications shall be deemed binding.

© 2007 ZF Electronics Corporation

Last Updated: 031411

## X-ON Electronics

Largest Supplier of Electrical and Electronic Components

*Click to view similar products for [Basic / Snap Action Switches](#) category:*

*Click to view products by [ZF Cherry](#) manufacturer:*

Other Similar products are found below :

[83228001](#) [01.098.1358.1](#) [602EN1-6B](#) [602EN532](#) [602EN535-RB](#) [602HE5-RB1](#) [604HE162](#) [604HE223-6B](#) [624HE17-RB](#) [6HM89](#) [6PA78-JM](#)  
[6SE1](#) [6SX1-H58](#) [70500840](#) [MBD5B1](#) [MBH2731](#) [73-316-0012](#) [79211759](#) [79211923](#) [79218589](#) [7AS12](#) [ML-1155](#) [ML-1376](#) [831010C3.0](#)  
[831060C3.TL](#) [831090C2.EL](#) [83131904](#) [84212012](#) [8AS239](#) [8HM73-3](#) [903VB1-PG](#) [914CE1-6G](#) [PL-100](#) [11SM1077-H4](#) [11SM1077-H58](#)  
[11SM1-TN107](#) [11SM405](#) [11SM703-T](#) [11SM8423-H2](#) [11SX37-T](#) [11SX48-H58](#) [11SX55-H58](#) [11SM2442-T](#) [11SM76-T](#) [11SM77-H58](#)  
[11SM77-T](#) [11SM863-T](#) [11SM866](#) [11SX47-H58](#) [A7CN-1M-1-LEFT](#)