

HL16



Features

- Easy plug and play wiring options
- Long operating life typically 50,000 hours
- Optimised thermal management
- Onboard driver option
- Selectable beam angles
- Full range of light output colours
- Low heat
- No UV



Courtesy of Aros Architecture,
NDY Light & Crescent Lighting



Courtesy of Solar Century

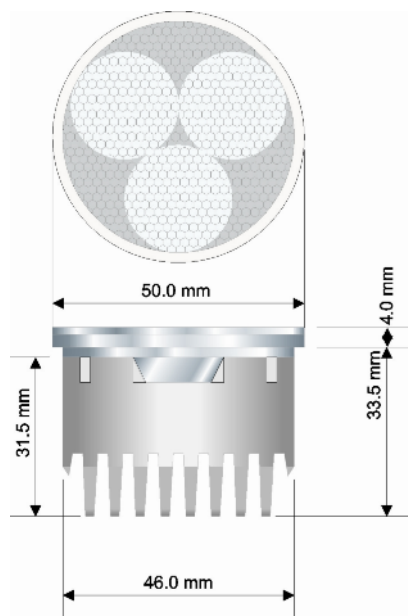
Applications

- Retrofit to MR16 based products
- Exterior architecture
- Landscape
- Orientation
- Accent
- Display cases



Courtesy of Bink Design and Lux Lumen

Mechanical



Electrical

Power Consumption **3.6 watts**

Maximum Current **350 mA constant current**

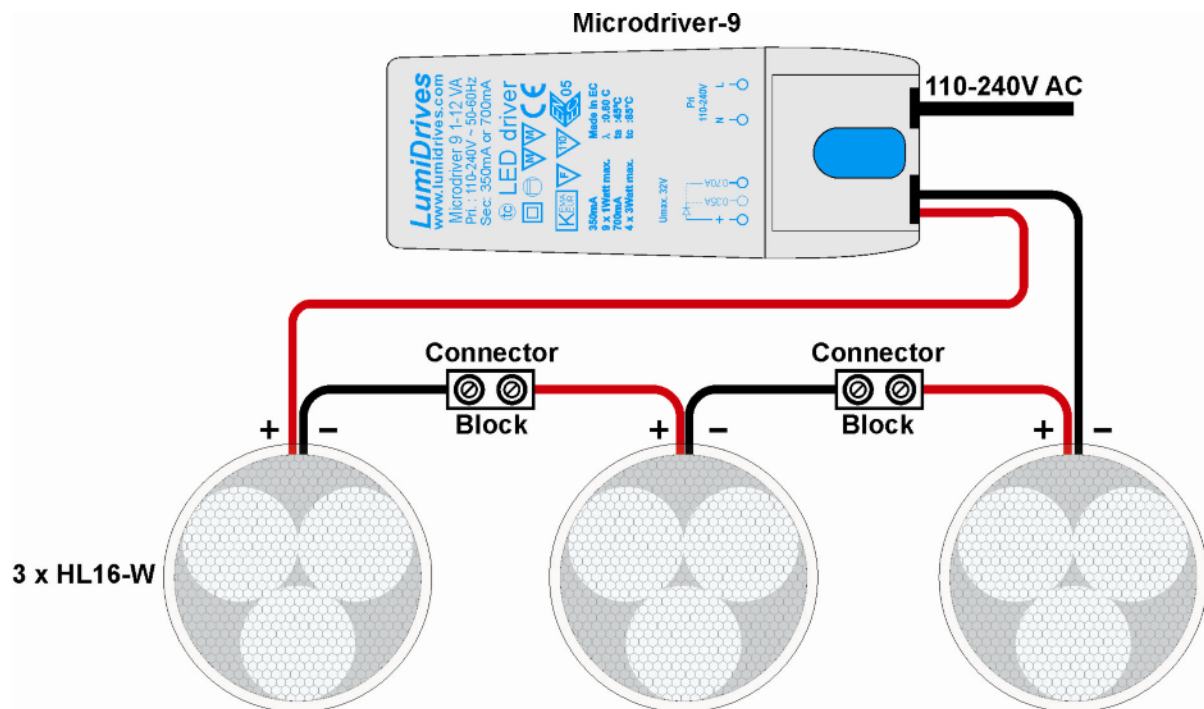
Compatible Drivers

Model	Maximum number of HL16s connected	Supply Voltage	Dimming	Dimensions
MDE3-C-35/70	1	195-265 VAC	X	Diameter: 53mm Height: 19 mm
MDU4-SC-35	1	85 – 265 VAC	X	100 x 40 x 25 mm
MDU9-SC-35	3	85 – 265 VAC	X	100 x 40 x 25 mm
MLD8-C-35/70	2	230 VAC	X	110 x 52 x 24 mm
MDE16-C-VRL	4	230 VAC	Via 0 – 10 volt dimmer	110 x 49 x 25 mm

Environmental

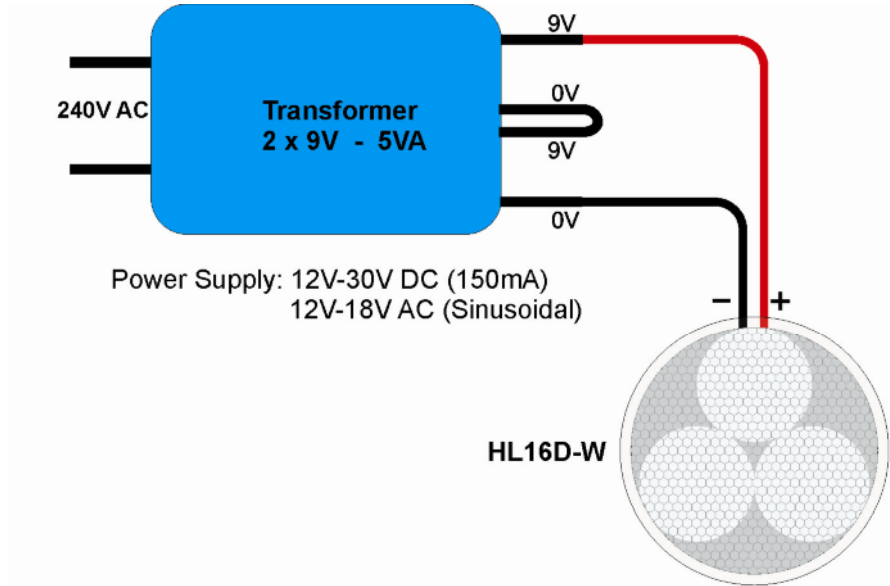
Maximum Operating Temperature	T _c	+70° C
Operating Ambient Temperature	T _{st}	-10 to +40 ° C
Typically 50,000 hours to 70% output		

Wiring Diagrams



HL16-Single Colour - Typical Connection

Wiring Diagrams



HL16D On-Board Drive - Typical Connection

Optical Characteristics and Order Code Information

HL16 - D - XX

↓
Onboard driver option

↓
Colour

W White
WW Warm White
B Blue
G Green
R Red
A Amber



Typical Light Output
in Lumens/mW*

126
72
612 mW
126
96
102

Example of product code:

HL16-WW
HL16-D-R

HL16 warm white
HL16 Red with
onboard driver

HL16 modules are supplied with:

OPAA- 3-WSL Triple wide sub-lens

*Full photometric data available on request.

X-ON Electronics

Largest Supplier of Electrical and Electronic Components

Click to view similar products for [Lumidrives](#) manufacturer:

Other Similar products are found below :

[Lumidrives](#)