

MNX PCM 150/75 G



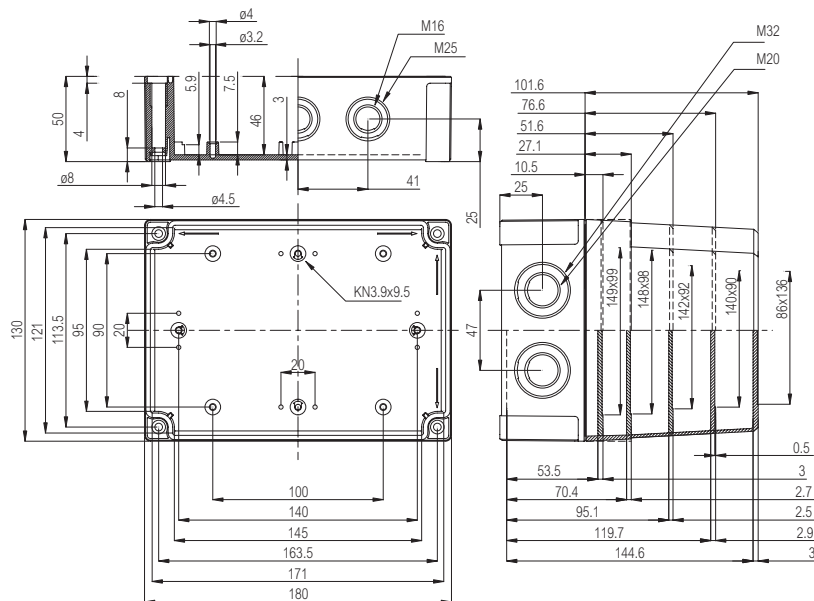
Sample photo

Order symbol: PCM 150/75 G
Product nbr: 6016314
Description: Enclosure, PC
Remarks: Grey cover

EAN: 6418074038081
EI. number:
 Finland: 3421641
 Electric No. 8212027161
 Denmark:
 Electric No. Italy: 7341045
 Electric No. Sweden: 2535327

Including: Base with metric knock-outs and TPE gasket, screws for mounting plate/DIN-rail and cover with polyamide cover screws.

Dimensions:				Accessories:	
	Length	Width	Height		
mm:	180	130	75	MIN 10	DIN-15 Mounting rail
inch:	7.1	5.1	3.0	MIN 15	DIN-15 Mounting rail
Materials:				MIV 10	DIN-35 Mounting rail
Material:	Polycarbonate			MIV 15	DIN-35 Mounting rail
Base colour:	RAL 7035 -light grey			FP A 150/180	Front plate (Aluminium)
Cover screws material:	Polyamide			HFP 180	Front plate hinge series
Cover colour:	RAL 7035 -light grey			FP 22046	Wall fastening lug (4 pcs)
Cover screws colour:	Grey			Rating:	
Gasket material:	TPE			Ingress Protection (EN 60529): IP66/IP67	
Temperatures:				Impact Resistance (EN 62262): IK08	
Temperature °C (short term):	-40 ... 120 °C			Electrical insulation: Totally insulated	
Temperature °C (continuous):	-40 ... 80 °C			Halogen free (DIN/VDE 0472, Part 815): 1	
Temperature °F (short term):	-40 ... 250 °F			UV resistance: UL 508	
Temperature °F (continuous):	-40 ... 175 °F			Flammability Rating: UL 746C 5"	
Accessories:				Glow Wire Test (IEC 695-2-1) °C: 960	
MIV 150	Mounting plate (Galvanized steel)			NEMA Class: NEMA 1, 4, 4X, 6	
				Certificates:	
				Germanischer Lloyd (GL)	
				SGS Fimko	
				Gost R	



X-ON Electronics

Largest Supplier of Electrical and Electronic Components

Click to view similar products for [Enclosures, Boxes, & Cases](#) category:

Click to view products by [Fibox](#) manufacturer:

Other Similar products are found below :

[CR-425 PAINTED](#) [585-R-WH-PK](#) [M-10-PLATED](#) [60221-01](#) [60566-01-000](#) [HPL-9VB BATT DOOR](#) [M-16-LID-PLATED](#) [M18-PLTD](#) [M-21-LID-PLATED](#) [M-21-PLATED](#) [M-23-PLATED](#) [CU-281-MB](#) [6711GSKT](#) [71884-29-028](#) [LH45-100 Black](#) [7200B](#) [72868-510-000](#) [CNS-0000 Black](#) [72883-510-000](#) [CNS-0101 Black](#) [72906-510-000](#) [CNS-0407 Black](#) [73091-510-000](#) [CNM-0000-BLACK Kit](#) [73092-510-000](#) [CNM-0101 Black](#) [73108-510-000](#) [CNL-0303 Black](#) [73395-510-039](#) [CNS-0006 Bone](#) [74257-510-000](#) [CNL-0004](#) [MDC-1183-PLAIN-ALUM](#) [MDC-1183-PTD](#) [MDC-13104-PLAIN-ALUM](#) [MDC-211 - PAINTED IVORY/BEIGE](#) [MDC-321-PTD](#) [MDC-432-PLAIN-ALUM](#) [MDC-973-PTD](#) [76](#) [77153-01-028](#) [FLX6030](#) [83535-01-508](#) [PS-11296-G](#) [PS-11298-B](#) [116-508](#) [120-407](#) [120-412](#) [120-909](#) [120-455](#) [R272-100-000](#) [120-910](#) [R501-001-010](#) [R508-080-000](#) [R508-160-000](#) [R530-120-000](#) [R530-122-000](#) [R530-200-000](#) [R531-160-000](#) [R531-200-000](#) [R582-080-100](#)