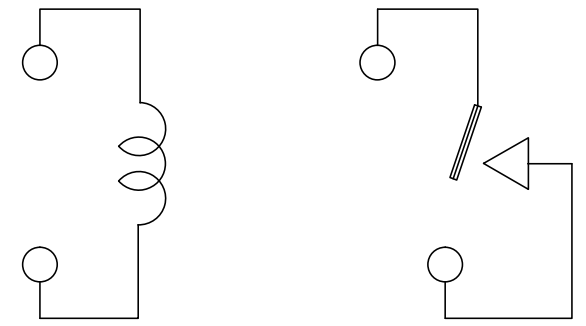
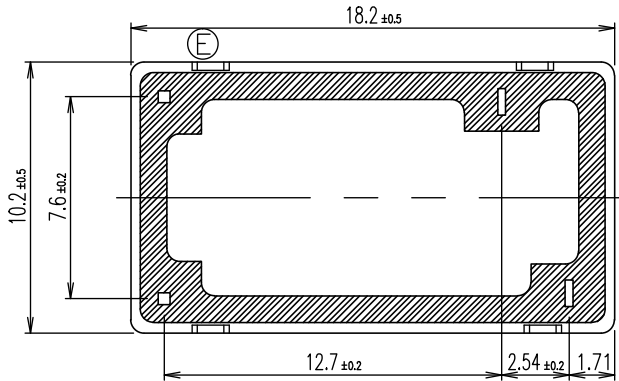
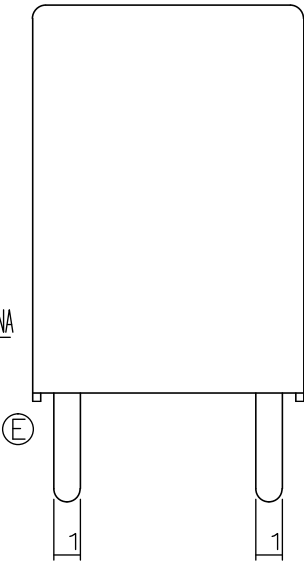
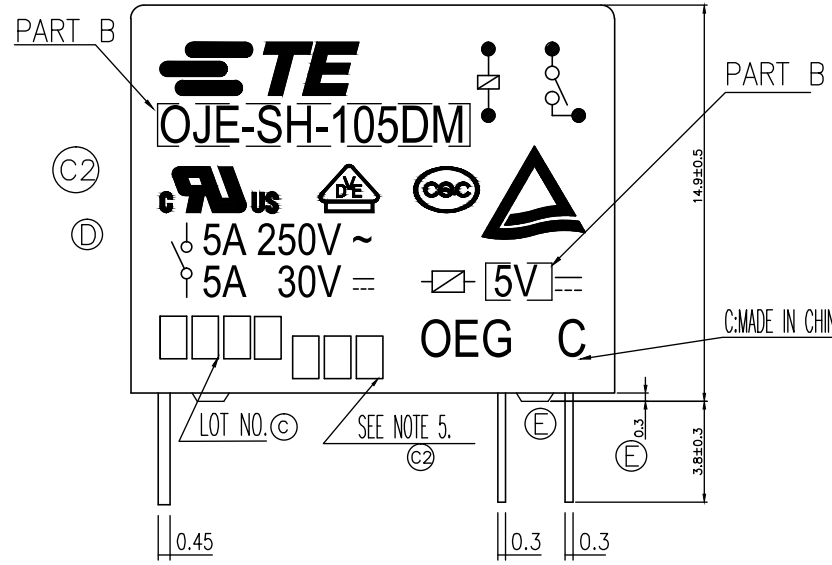
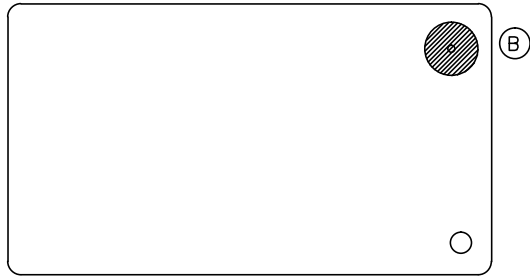


THIS DRAWING IS UNPUBLISHED. RELEASED FOR PUBLICATION  
 © COPYRIGHT - By - TE CONNECTIVITY ALL RIGHTS RESERVED.

LOC	DIST	REVISIONS			
P	LTR	DESCRIPTION	DATE	DWN	APVD
HB	-				
	E	REMOVE THE RIB ON THE BASE TO CASE ECO-15-011310	24Nov2015	YS.H	CHL



CONNECTION FIGURE

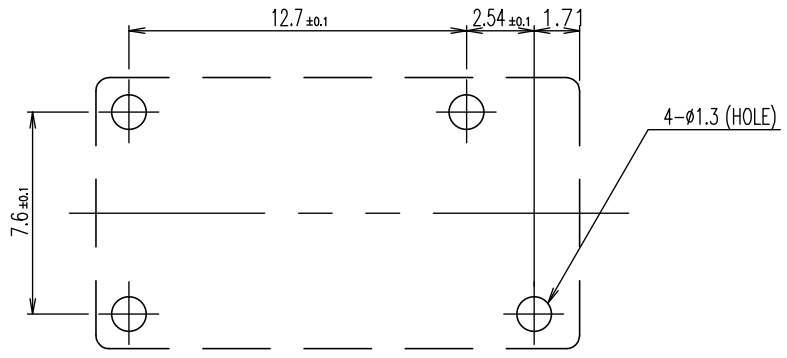


FIGURE FOR PRINTED CIRCUIT BOARD PROCESSING (BOTTOM VIEW)

THIS DRAWING IS A CONTROLLED DOCUMENT.		DWN	H.Sasaki	-	<b>TE</b> TE Connectivity			
DIMENSIONS: mm		CHK	Y.Oikawa	-				
TOLERANCES UNLESS OTHERWISE SPECIFIED:		APVD	A.Nagai	-	NAME			
0 PLC ± -		PRODUCT SPEC	-	-	OJE-SH-DM SPEC CUSTOMER DRAWING			
1 PLC ± -		APPLICATION SPEC	-	-	SIZE	CAGE CODE	DRAWING NO	RESTRICTED TO
2 PLC ± -					A3	00779	1461400	-
3 PLC ± -		WEIGHT	-	-	CUSTOMER DRAWING			SCALE
4 PLC ± -								5:1
ANGLES ± -								SHEET
FINISH								1 OF 2
MATERIAL								REV
								E

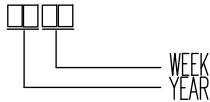
THIS DRAWING IS UNPUBLISHED. RELEASED FOR PUBLICATION  
 © COPYRIGHT - By - TE CONNECTIVITY ALL RIGHTS RESERVED.

LOC	DIST	REVISIONS					
HB	-	P	LTR	DESCRIPTION	DATE	DWN	APVD
		-		SEE SHEET 1	-	-	-

1461400-6	OJE-SH-148DM, 000	107-79010	48V	OJE-SH-148DM	h
1461400-5	OJE-SH-124DM, 000	107-79010	24V	OJE-SH-124DM	g
4-1419144-9	OJE-SH-118DM, 000	107-79010	18V	OJE-SH-118DM	f
1461400-4	OJE-SH-112DM, 000	107-79010	12V	OJE-SH-112DM	e
1461400-3	OJE-SH-109DM, 000	107-79010	9V	OJE-SH-109DM	d
1461400-2	OJE-SH-106DM, 000	107-79010	6V	OJE-SH-106DM	c
1461400-1	OJE-SH-105DM, 000	107-79010	5V	OJE-SH-105DM	b
1461400-7	OJE-SH-103DM, 000	107-79010	3V	OJE-SH-103DM	a
PART NO	DESCRIPTION	PACKAGE SPEC.	PART B	PART A	TYPE

RELAY TYPE

①② NOTES:  
 1.LOT NO. SYSTEM AS FOLLOWING:



② 2.TERMINAL DIMENSION IS BEFORE SOLDER DIP;

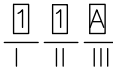
③ 3.FOR THE TIN-PLATING OF THE PINS:

+0.1mm FOR WIDTH,THICKENSS AND DIAMETER.

+0.5mm FOR LENGTH.

④ 4.USED WELDED CONTACT&LASER MARKING.

⑤ 5.ADD LOT NO. SYSTEM AS FOLLOWING;



I, DIGITS FOR DAY OF THE WEEK

1...MONDAY IN THIS WEEK;

2...TUESDAY IN THIS WEEK;

.....

7...SUNDAY IN THIS WEEK

II, DIGITS FOR SHIFT OF THE DAY

1...DAY SHIFT IN THIS DAY;

2...NIGHT SHIFT IN THIS DAY;

III, ONE CHARACTER

DISTINGUISH THE LINE

IDENTITY, SUCH AS:

A,B.....Z

		UV RESIN	SEEL (VENT HOLE)	16
		EPOXY RESIN	SEEL (BASE & BOBBIN)	15
		JUEW	MAGNETIC WIRE	14
94V-0		P.B.T	CASE	13
94V-0		P.B.T	BASE	12
94V-0		P.B.T	BOBBIN	11
	SOLDER DIP	C.P WIRE	COIL TERMINAL	10
94V-0		P.P.S	CARD	9
		Ag ALLOY	MOVABLE CONTACT	8
		Ag	NO.CONTACT	7
		STEEL	HINGE SPRING	6
	SOLDER DIP	PBP	NO.TERMINAL	5
	SOLDER DIP	PBS	MOVABLE SPRING	4
	NIP	STEEL	CORE	3
	NIP	STEEL	ARMATURE	2
	NIP	STEEL	YOKE	1
INCOMBUSTIBILITY	TREATMENT	MATERIAL	DESCRIPTION	ITEM

THIS DRAWING IS A CONTROLLED DOCUMENT.		DWN	H.Sasaki	-
DIMENSIONS: mm		CHK	Y.Oikawa	-
TOLERANCES UNLESS OTHERWISE SPECIFIED:		APVD	A.Nagai	-
	0 PLC	±	-	
	1 PLC	±	-	
	2 PLC	±	-	
	3 PLC	±	-	
4 PLC	±	-		
ANGLES	±	-		
MATERIAL	FINISH	PRODUCT SPEC	NAME	
-	-	APPLICATION SPEC	-	
		WEIGHT	SIZE	CAGE CODE
		-	A3	00779
		CUSTOMER DRAWING	DRAWING NO	RESTRICTED TO
			1461400	-
		SCALE	SHEET	REV
		5:1	2 OF 2	E



OJE-SH-DM SPEC CUSTOMER DRAWING

## X-ON Electronics

Largest Supplier of Electrical and Electronic Components

*Click to view similar products for [General Purpose Relays](#) category:*

*Click to view products by [TE Connectivity](#) manufacturer:*

Other Similar products are found below :

[APF30318](#) [JVN1AF-4.5V-F](#) [PCN-105D3MHZ](#) [5JO-10000S-SIL](#) [5JO-1000CD-SIL](#) [5JO-400CD-SIL](#) [LY2S-AC220/240](#) [LYQ20DC12](#)  
[6031007G](#) [6131406HQ](#) [6-1393099-3](#) [6-1393099-8](#) [6-1393122-4](#) [6-1393123-2](#) [6-1393767-1](#) [6-1393843-7](#) [6-1415012-1](#) [6-1419102-2](#) [6-](#)  
[1423698-4](#) [6-1608051-6](#) [6-1608067-0](#) [6-1616170-6](#) [6-1616248-2](#) [6-1616282-3](#) [6-1616348-2](#) [6-1616350-1](#) [6-1616350-8](#) [6-1616358-7](#) [6-](#)  
[1616359-9](#) [6-1616360-9](#) [6-1616931-6](#) [6-1617039-1](#) [6-1617052-1](#) [6-1617090-2](#) [6-1617090-5](#) [6-1617347-5](#) [6-1617353-3](#) [6-1617801-8](#) [6-](#)  
[1617802-2](#) [6-1618107-9](#) [6-1618248-4](#) [M83536/1-027M](#) [CX-4014](#) [MAHC-5494](#) [MAVCD-5419-6](#) [703XCX-120A](#) [7-1393100-5](#) [7-1393111-7](#)  
[7-1393144-5](#) [7-1393767-8](#)