

CUSTOMER DRAWING		SCALE	SHEET	REV
-		5:1	1 OF 2	A
MATERIAL		FINISH	WEIGHT	
-		0 PLC 1 PLC 2 PLC 3 PLC 4 PLC	-	
DIMENSIONS:		mm		
TOLERANCES UNLESS OTHERWISE SPECIFIED:				
DWN	CHK	APVD	NAME	
Huang, Yunshou	Yu, Banghua		OJE-SH-LM,000M CUSTOMER DRAWING	
Tyco Electronics Corporation		Shenzhen, China		
Tyco Electronics				
APPLICATION SPEC		PRODUCT SPEC	SIZE	CAGE CODE
-		Zhang, Sunny	A3	00779
DRAWING NO		2-1419128-4		
RESTRICTED TO		-		

THIS DRAWING IS A CONTROLLED DOCUMENT.

Diagram dimension	Tolerance
0.99mm max.	±0.1mm
1 - 2.99mm	±0.2mm
3mm min.	±0.3mm

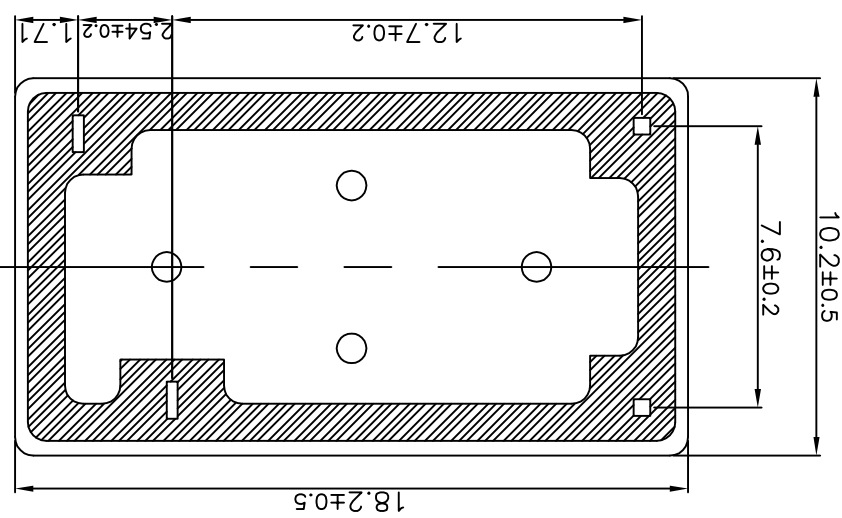
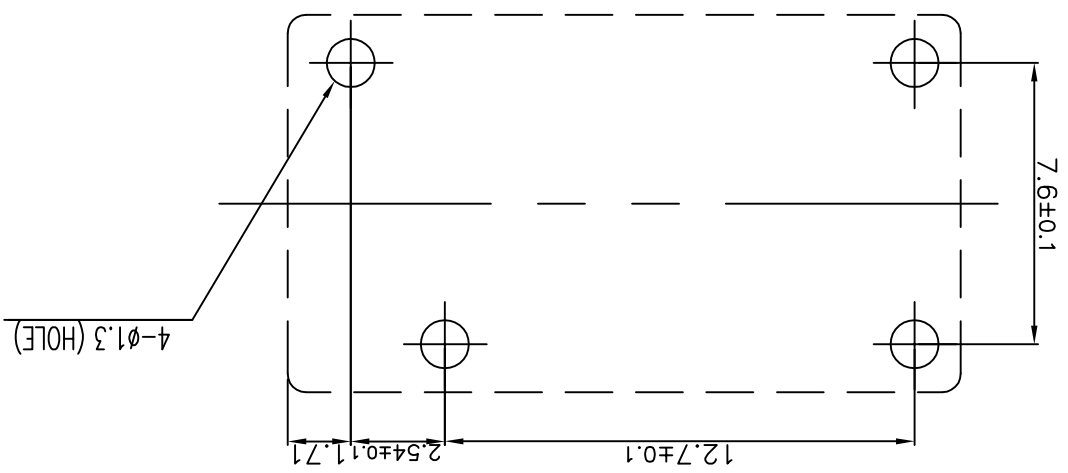
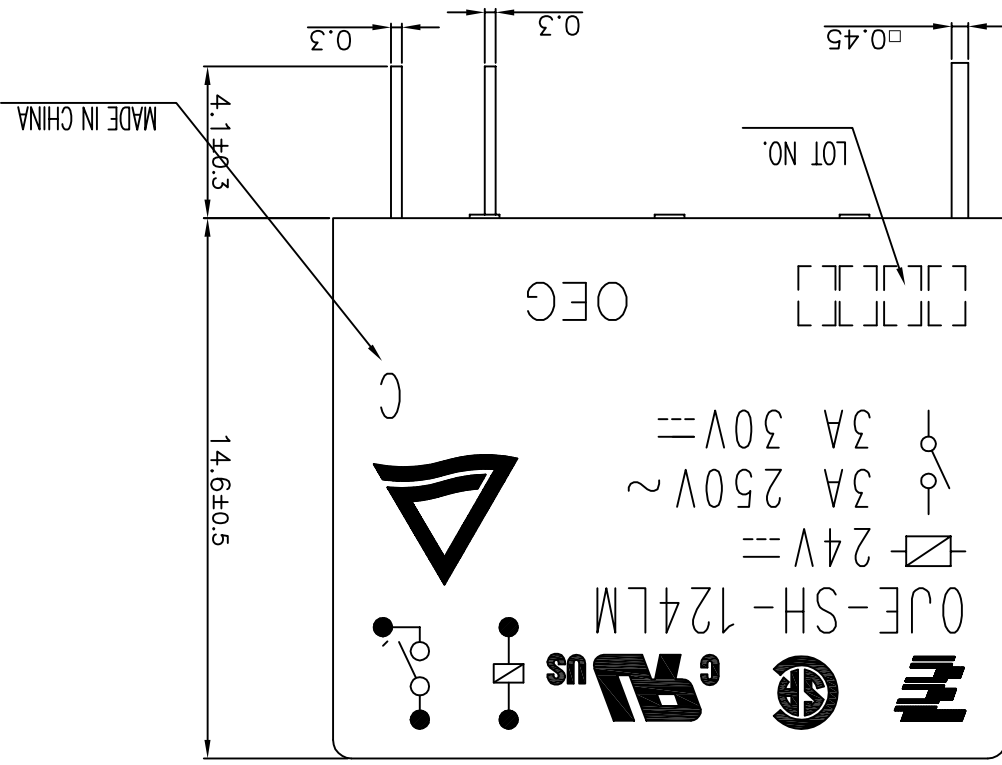
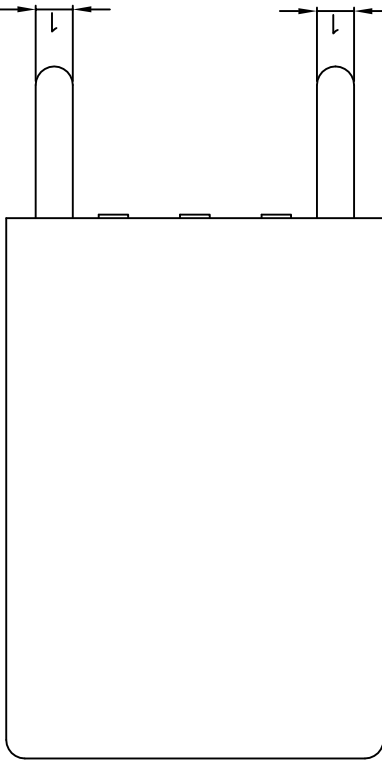
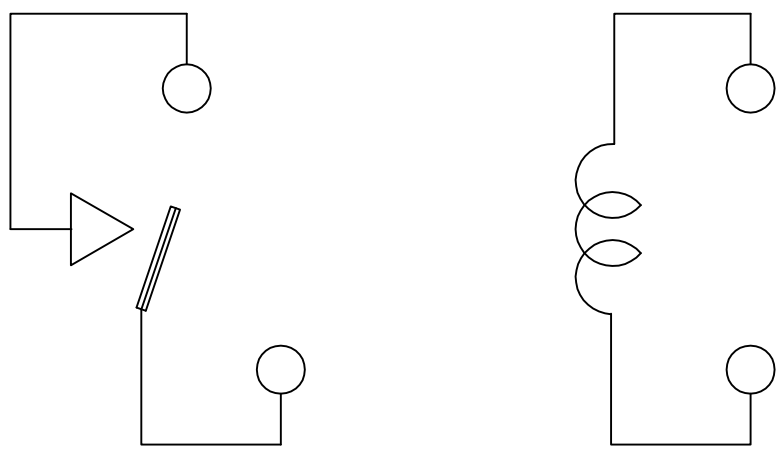


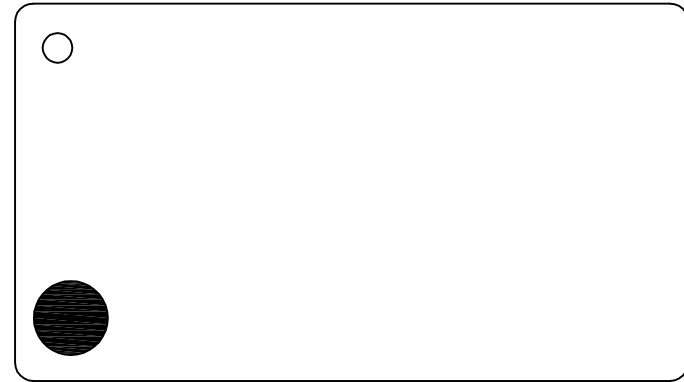
FIGURE FOR PRINTED CIRCUIT BOARD PROCESSING (BOTTOM VIEW)



CONNECTION FIGURE



NOTES:  
1. TERMINAL DIMENSIONS BEFORE TINNING.  
2. LOT NO. SYSTEM AS FOLLOWING:  
YEAR  
WEEK



LOC	DIST	P	LTR	DESCRIPTION	DATE	DWN	APVD
-	-	A		RELEASED	21-May-10	HYS	YBH
REVISIONS							
1							

A

B

C

D

A

B

C

D

1

2

3

4

THIS DRAWING IS A CONTROLLED DOCUMENT.

DWNS: Huang, Yunshou  
CHK: Yu, Banghua  
APVD: Zhang, Sunny

NAME: Tyco Electronics  
Shenzhen, China

PRODUCT SPEC: OJE-SH-LM,000M CUSTOMER DRAWING

APPLICATION SPEC: —

WEIGHT: —

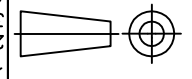
MATERIAL: —

FINISH: —

ANGLES: 0 PLC ±, 1 PLC ±, 2 PLC ±, 3 PLC ±, 4 PLC ±

TOLERANCES UNLESS OTHERWISE SPECIFIED: —

DIMENSIONS: mm



CUSTOMER DRAWING

SCALE: 5:1

SHEET: 2 of 2

REV: A

RESTRICTED TO: —

SIZE: A3

CAGE CODE: 00779

DRAWING NO: 2-1419128-4

ITEM	DESCRIPTION	MATERIAL	TREATMENT	INCOMBUSTIBILITY
1	YOK	STEEL	NIP	
2	ARMATURE	STEEL	NIP	
3	CORE	STEEL	NIP	
4	MOVABLE SPRING	Cu ALLOY	SOLDER DIP	
5	NO. TERMINAL	Cu ALLOY	SOLDER DIP	
6	HINGE SPRING	STEEL		
7	NO. CONTACT	Ag		
8	MOVABLE CONTACT	Ag		
9	CARD	P.P.S		94V-0
10	COIL TERMINAL	C.P WIRE	SOLDER DIP	
11	BOBBIN	P.B.T		94V-0
12	BASE	P.B.T		94V-0
13	CASE	P.B.T		94V-0
14	MAGNETIC WIRE	3UEW		
15	SEAL (BASE & BOBBIN)	EPOXY RESIN		
16	SEAL (HOLE)	UV RESIN		

RELAY TYPE

TE PART NO	TE TYPE NAME	PACKING SPEC	TYPE
2-1419128-4	OJE-SH-124LM	107-79013	0

REVISIONS

LOC	DIST	P	LTR	DESCRIPTION	DATE	DWN	APVD
—	—	—	—	SEE SHEET 1	—	—	—

THIS DRAWING IS UNPUBLISHED. RELEASED FOR PUBLICATION

ALL INTERNATIONAL RIGHTS RESERVED.

BY TYCO ELECTRONICS CORPORATION.

© COPYRIGHT —

A

B

C

D

A

B

C

D

1

2

3

4

## X-ON Electronics

Largest Supplier of Electrical and Electronic Components

*Click to view similar products for [General Purpose Relays](#) category:*

*Click to view products by [TE Connectivity](#) manufacturer:*

Other Similar products are found below :

[APF30318](#) [JVN1AF-4.5V-F](#) [PCN-105D3MHZ](#) [5JO-10000S-SIL](#) [5JO-1000CD-SIL](#) [5JO-400CD-SIL](#) [LY2S-AC220/240](#) [LYQ20DC12](#)  
[6031007G](#) [6131406HQ](#) [6-1393099-3](#) [6-1393099-8](#) [6-1393122-4](#) [6-1393123-2](#) [6-1393767-1](#) [6-1393843-7](#) [6-1415012-1](#) [6-1419102-2](#) [6-](#)  
[1423698-4](#) [6-1608051-6](#) [6-1608067-0](#) [6-1616170-6](#) [6-1616248-2](#) [6-1616282-3](#) [6-1616348-2](#) [6-1616350-1](#) [6-1616350-8](#) [6-1616358-7](#) [6-](#)  
[1616359-9](#) [6-1616360-9](#) [6-1616931-6](#) [6-1617039-1](#) [6-1617052-1](#) [6-1617090-2](#) [6-1617090-5](#) [6-1617347-5](#) [6-1617353-3](#) [6-1617801-8](#) [6-](#)  
[1617802-2](#) [6-1618107-9](#) [6-1618248-4](#) [M83536/1-027M](#) [CX-4014](#) [MAHC-5494](#) [MAVCD-5419-6](#) [703XCX-120A](#) [7-1393100-5](#) [7-1393111-7](#)  
[7-1393144-5](#) [7-1393767-8](#)