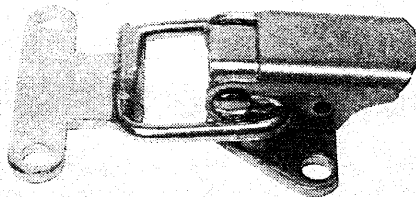


716-6643, 716-6655

CRS

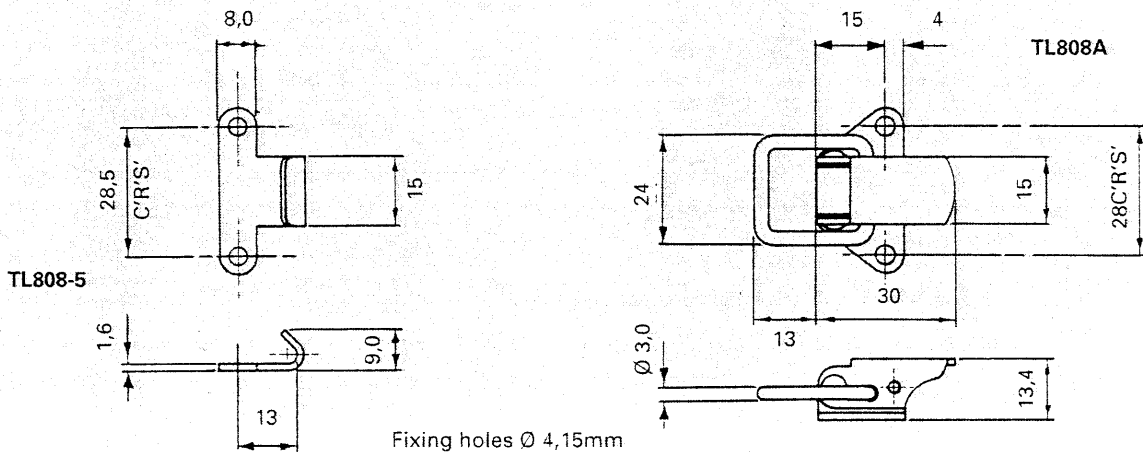
TL808A



Very popular latch for Insulation Trade this robust latch is based upon our very popular TL803B series, and features a thick flat link, and is only stocked in the bright zinc finish. Normally used with the TL808-5 strike. Stainless steel version available as part no. TL828A. See page 83.

TECHNICAL DATA

Max. safe load without distortion	: 1300N (290lbf)
Ultimate tension	: 1700N (380lbf)
Pull up	: 5,00mm
Material	: Cold rolled steel
Finish	: Zinc plate and clear passivation



X-ON Electronics

Largest Supplier of Electrical and Electronic Components

Click to view similar products for [dzus](#) manufacturer:

Other Similar products are found below :

[Dzus](#)