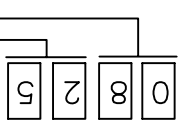


LOC	HB	DIST	REVISIONS			
			P	LTR	ECN	DATE
			B1	ECO-06-007125	20-MAR-06	N.F
			C	ECO-07-001278	2-JAN-07	W.Y
			D	ECO-08-020477	28-FEB-09	BH.Y
			E	ECO-09-015713	28-JUL-09	BH.Y

NOTES:  
 1. LOT NO. SYSTEM AS FOLLOWING:



2. GENERAL TOLERANCE AS FOLLOWING:

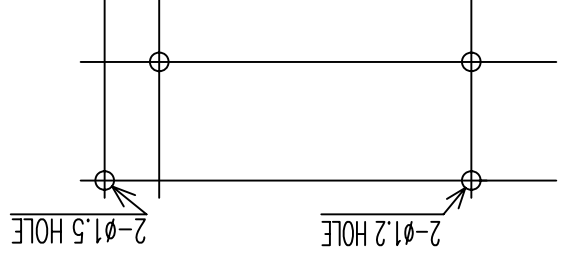
TOLERANCE	
0~0.99mm	± 0.1
1mm~2.99mm	± 0.2
3mm MIN.	± 0.3

3. TERMINAL DIMENSION IS NOT INCLUDING SOLDER TIP.  
 4. -SH-: WASHABLE TYPE  
 -SS-: PLASTIC SEALED TYPE

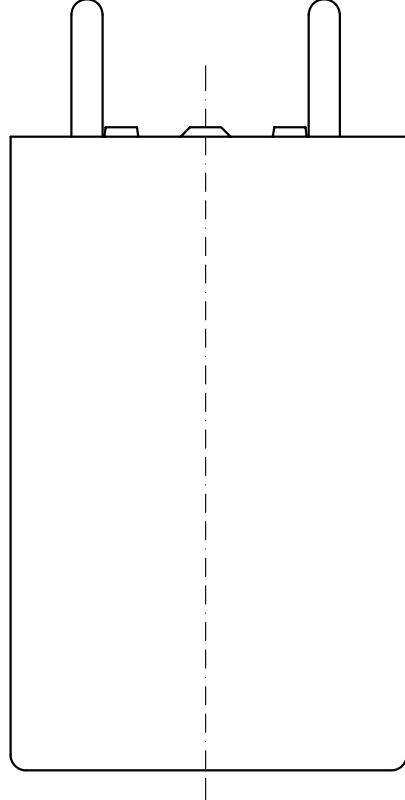
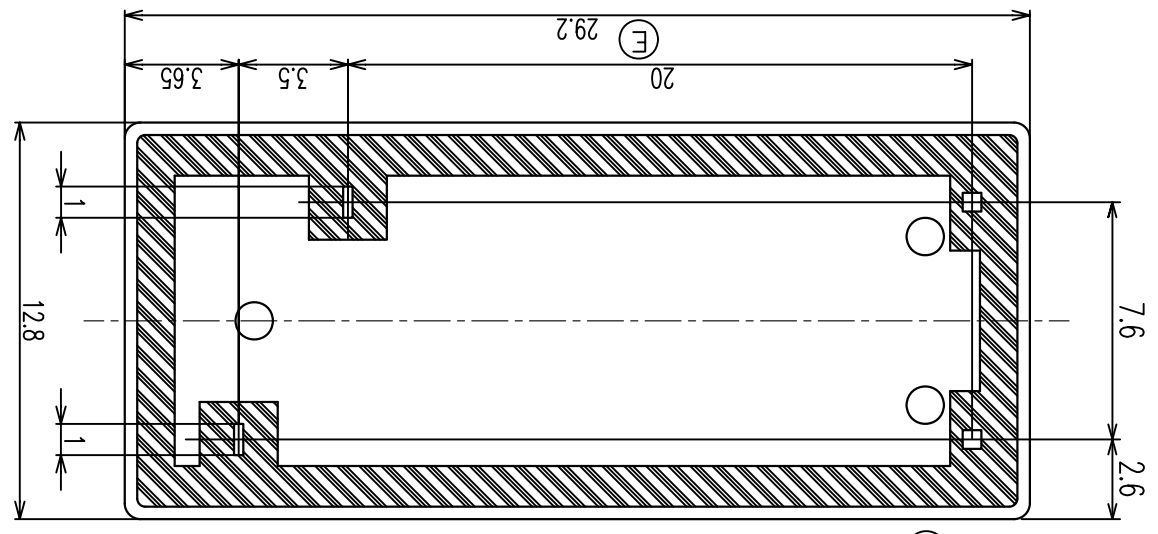
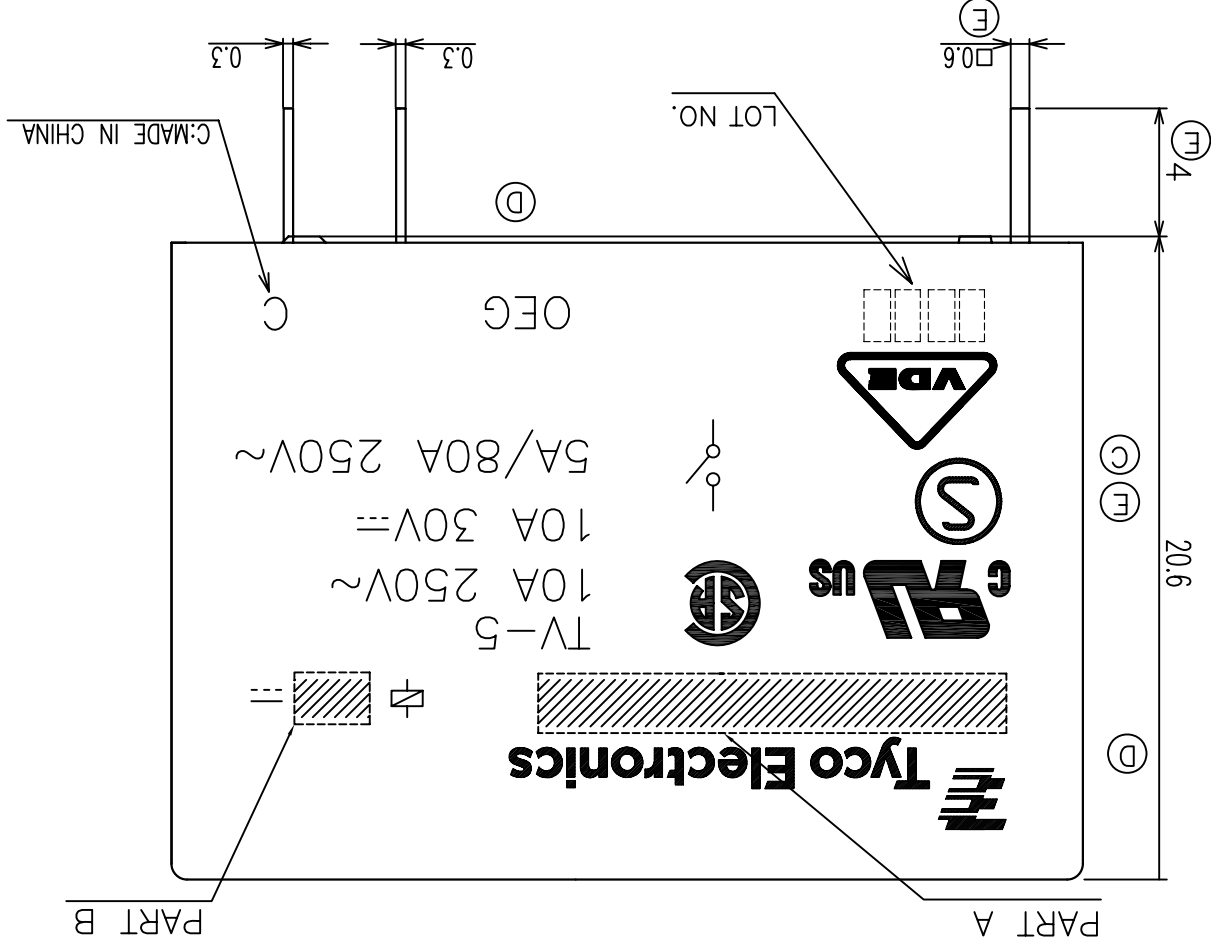
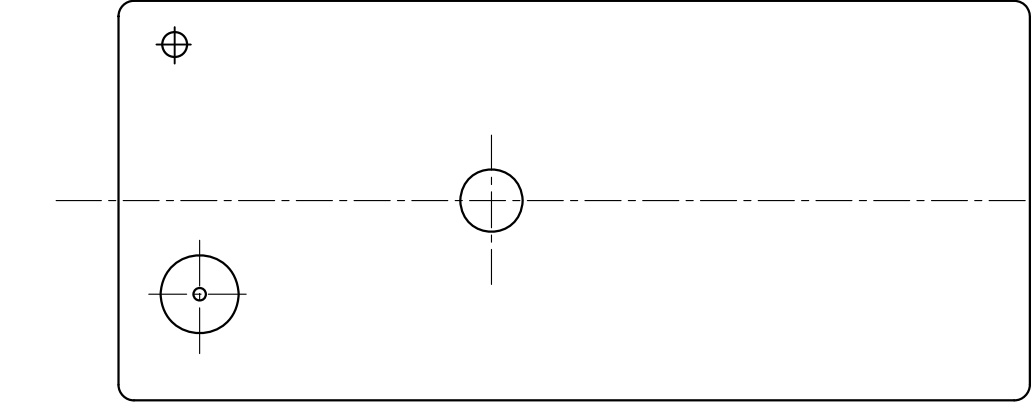
CONNECTION DIAGRAM  
 (BOTTOM VIEW)



DRILLING DIAGRAM(2/1)  
 (BOTTOM VIEW)



CUSTOMER DRAWING		SCALE 4:1		SHEET 1 OF 2		REV E	
DWN Yang.Xiao		CHK Zhang, Xiaoning		APVD C.H.HSU		NAME	
Tyco Electronics Shenzhen,China		OMIT-1M SPEC,000					
DIMS: mm		FINISH		MATERIAL		SEE MATERIAL TABLE	
0 PLC ±		1 PLC ±		2 PLC ±		3 PLC ±	
4 PLC ±		TOLERANCES UNLESS OTHERWISE SPECIFIED:		APPLICATION SPEC		WEIGHT	
IT IS SUBJECT TO CHANGE AND THE CONTROLLING ENGINEERING ORGANIZATION SHOULD BE CONTACTED FOR THE LATEST REVISION.		PRODUCT SPEC		DRAWING NO		CAGE CODE	
Yang.Xiao		Zhang, Xiaoning		00779		3-1419123-7	



LOC HB

DIST

P	LTR	DESCRIPTION	ECN	DATE	DWN	APVD

REVISIONS

4

3

2

1

TE PART NO	PART A	PART B	DESCRIPTION	No.
4-1419123-3	OMIT-SH-124LM	24V	OMIT-SH-124LM	J
3-1419123-6	OMIT-SH-112DM	12V	OMIT-SH-112DM	I
3-1419123-7	OMIT-SH-112LM	12V	OMIT-SH-112LM	H
2-1419145-3	OMIT-SH-109LM	9V	OMIT-SH-109LM	G
5-1419123-6	OMIT-SS-148DM	48V	OMIT-SS-148DM	F
5-1419123-4	OMIT-SS-124DM	24V	OMIT-SS-124DM	E
5-1419123-5	OMIT-SS-124LM	24V	OMIT-SS-124LM	D
4-1419123-9	OMIT-SS-112LM	12V	OMIT-SS-112LM	C
4-1419123-6	OMIT-SS-109LM	9V	OMIT-SS-109LM	B
4-1419123-5	OMIT-SS-105LM	5V	OMIT-SS-105LM	A

RELAY TYPE

ITEM	DESCRIPTION	MATERIAL	TREATMENT	INCOMBUSTIBILITY
1	YOKE	STEEL		
2	ARMATURE	STEEL		
3	CORE	STEEL		
4	MOVABLE SPRING	CU ALLOY	SOLDER DIP	
5	STATIONARY TERMINAL	CU ALLOY	SOLDER DIP	
6	HINGE SPRING	CU ALLOY		
7	STATIONARY CONTACT	Ag ALLOY		
8	MOVABLE CONTACT	Ag ALLOY		
9	CARD	PPS		UL94 V-0
10	COIL TERMINAL	CP WIRE	SOLDER DIP	
11	BOBBIN	PBT		UL94 V-0
12	BASE	PET		UL94 V-0
13	MAGNETIC WIRE	UEW		CLASS E
14	CASE	PBT		UL94 V-0
15	TAPE	—		
16	SEAL	EPOXY RESIN		
17	UV SEAL	UV RESIN		

THIS DRAWING IS A CONTROLLED DOCUMENT FOR TYCO ELECTRONICS CORPORATION. IT IS SUBJECT TO CHANGE AND THE CONTROLLING ENGINEERING ORGANIZATION SHOULD BE CONTACTED FOR THE LATEST REVISION.

DWN  
CHK  
APVD

NAME  
Tyco Electronics  
Shenzhen, China

PRODUCT SPEC  
—

APPLICATION SPEC  
—

WEIGHT  
—

FINISH  
0 PLC ±  
1 PLC ±  
2 PLC ±  
3 PLC ±  
4 PLC ±

MATERIAL  
SEE MATERIAL TABLE

DIMENSIONS:  
mm

SCALE 4:1  
SHEET 2 OF 2  
REV E

CUSTOMER DRAWING

OMIT-1M SPEC,000

A

A

B

B

C

C

D

D

## X-ON Electronics

Largest Supplier of Electrical and Electronic Components

*Click to view similar products for [General Purpose Relays](#) category:*

*Click to view products by [TE Connectivity](#) manufacturer:*

Other Similar products are found below :

[APF30318](#) [JVN1AF-4.5V-F](#) [PCN-105D3MHZ](#) [5JO-10000S-SIL](#) [5JO-1000CD-SIL](#) [5JO-400CD-SIL](#) [LY2S-AC220/240](#) [LYQ20DC12](#)  
[6031007G](#) [6131406HQ](#) [6-1393099-3](#) [6-1393099-8](#) [6-1393122-4](#) [6-1393123-2](#) [6-1393767-1](#) [6-1393843-7](#) [6-1415012-1](#) [6-1419102-2](#) [6-](#)  
[1423698-4](#) [6-1608051-6](#) [6-1608067-0](#) [6-1616170-6](#) [6-1616248-2](#) [6-1616282-3](#) [6-1616348-2](#) [6-1616350-1](#) [6-1616350-8](#) [6-1616358-7](#) [6-](#)  
[1616359-9](#) [6-1616360-9](#) [6-1616931-6](#) [6-1617039-1](#) [6-1617052-1](#) [6-1617090-2](#) [6-1617090-5](#) [6-1617347-5](#) [6-1617353-3](#) [6-1617801-8](#) [6-](#)  
[1617802-2](#) [6-1618107-9](#) [6-1618248-4](#) [M83536/1-027M](#) [CX-4014](#) [MAHC-5494](#) [MAVCD-5419-6](#) [703XCX-120A](#) [7-1393100-5](#) [7-1393111-7](#)  
[7-1393144-5](#) [7-1393767-8](#)