

AT-CUT CRYSTAL UNIT (SMD • Metal-can Type)

RoHS Compliant Optional

HCM49

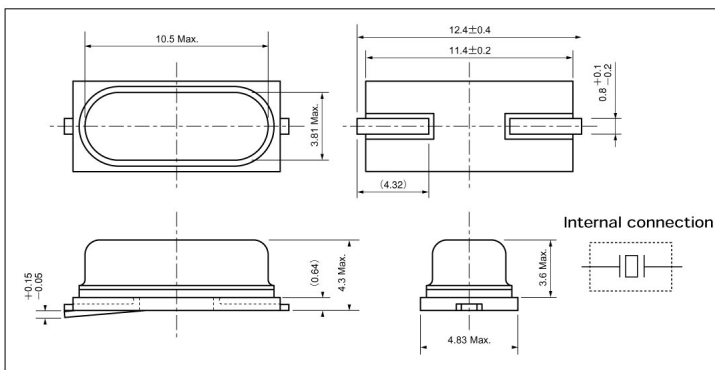
1000pcs/reel



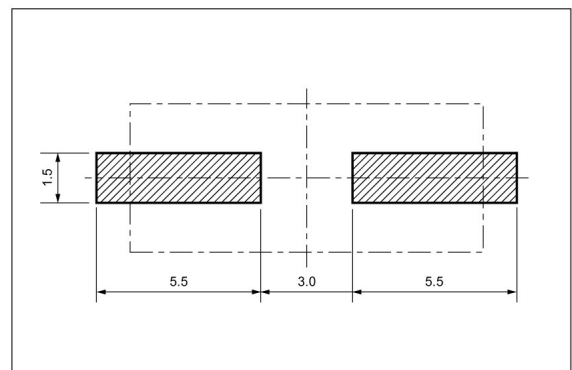
FEATURES

- Surface mount type of metal-can HC-49/U-S. High performance with the resistance weld sealing.
- Automatic mounting and reflowable Type.
- Suitable for various applications such as communication devices, AV devices, automotive devices and measuring instruments.

DIMENSION [mm]



SOLDER PAD LAYOUT [mm]



STANDARD SPECIFICATIONS

Item	Model	HCM49	Conditions
Nominal Frequency	f ₀	3.5MHz~30.0MHz (Fundamental)	Need to contact us for the available frequency
		30.001MHz~50.0MHz (3rd Overtone)	
Frequency Tolerance	Δf/f ₀	±30ppm	at 25°C
Frequency Tolerance over Operating Temperature Range	Δf/f ₀	±50ppm	-10°C ~ +60°C
Operating Temperature Range	T _{OPR}	-40°C ~ +85°C	
Storage Temperature Range	T _{STR}	-55°C ~ +125°C	
Motional (series) resistance	R ₁	Refer to the following table	at 25°C
Load capacitance	C _L	18.0pF	Need to specify your requirement
Shunt capacitance	C ₀	7.0pF Max.	
Level of drive	DL	100 μW Max.	
Insulation Resistance	I _R	500MΩ Min.	DC100V±15V
Aging (first year)	Δf/f ₀	±5ppm Max.	25°C±3°C

MOTIONAL (SERIES) RESISTANCE (R₁)

Frequency Range	3.5MHz ≤ f ₀ < 4.0MHz	4.0MHz ≤ f ₀ < 6.0MHz	6.0MHz ≤ f ₀ < 10MHz	10MHz ≤ f ₀ < 14MHz	14MHz ≤ f ₀ < 30MHz	30MHz ≤ f ₀ < 36MHz	36MHz ≤ f ₀ ≤ 50MHz
Mode	Fundamental	Fundamental	Fundamental	Fundamental	Fundamental	3rd Overtone	3rd Overtone
R ₁	200Ω Max.	150Ω Max.	100Ω Max.	80Ω Max.	50Ω Max.	140Ω Max.	100Ω Max.

X-ON Electronics

Largest Supplier of Electrical and Electronic Components

Click to view similar products for [citizen manufacturer](#):

Other Similar products are found below :

[CSX-750FCC4000000T](#) [CSX-750FHB12000000T](#) [HC-49/U-S24000000ABJB](#) [CS325S14318180ABJT](#) [HC49US-28.224MABJ](#) [CM315](#)
[32.768KDZY-UT](#) [HC-49/U-S4915200ABJB](#) [CSX-750FBC16000000T](#) [HCM49-7.680MABJ-UT](#) [CM51932768DZFT](#) [HC49US-](#)
[28.63636MABJ](#) [HCM49-11.000MABJT](#) [CMR200T-32.768KDZF-UT](#) [HCM493579545ABJT](#) [CSX750FCC40.000M-UT](#) [HC49US-](#)
[6.176MABJ-UB](#) [HC49US-17.734475MABJ-UB](#) [CS325S-12000000ABJT](#) [HCM49-48.000MABJT](#) [HC49US-6.144MABJ](#) [HC49US-](#)
[10.000MABJ-UB](#) [CS325S27000000ABJT](#) [CS10-32.000MABJ-UT](#) [HC49US-4.9152MABJ-UB](#) [CS325S28636300ABJT](#) [HCM49-6.144MABJ-](#)
[UT](#) [HCM49-13.500MABJ-UT](#) [HC-49/U-S6144000ABJB](#) [CM1610H32768DZFT](#) [HC49US-16.9344MABJ-UB](#) [HCM4950000000ABJT](#) [CSX-](#)
[750FCC14745600T](#) [HC49US15.000MABJ-UB](#) [HCM4949152000ABJT](#) [HC49US-12.000MABJ-UB](#) [HC49US-9.000MABJ](#) [HCM49-](#)
[5.000MABJT](#) [HCM49-20.000MABJ-UT](#) [CM309E-15.000MABJ-UT](#) [HC49US-19.6608MABJ-UB](#) [CMR200T32768DZFT](#) [HCM49-](#)
[30.000MABJ-UT](#) [CSX-750FCC4000000T](#) [CSX-750FBC33333000T](#) [HCM4924576000ABJT](#) [CSX-750FMB25000000T](#) [HC-49/U-](#)
[S15000000ABJB](#) [HC49US-3.6864MABJ](#) [HC-49/U-S48000000ABJB](#) [HCM49-4.194304MABJ-UT](#)