



“ Clear ”  
innovation

[Home](#) | [Company](#) | [Products](#) | [Applications](#) | [Design Services](#) | [Manufacturing](#) | [News](#) | [Contact](#)

## L2Optics Products >

### 20mm Series Lenses and Holders for Luxeon LEDs

L2Optics 20mm Series Lenses have been designed for use with all Lumileds' Luxeon series of LEDs.

There are four different illumination patterns available: spot, medium, wide and oval.

LED type, chip type and colour has an effect on illumination pattern, e.g., non-white LEDs give a narrower distribution. If you need more exact data on the issue, please contact L2Optics for advice.

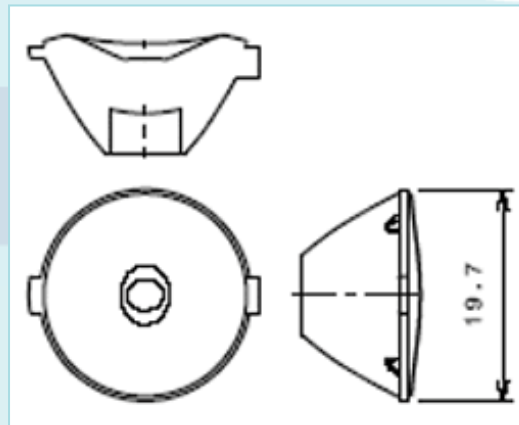


All L2Optics 20mm Series Lenses are made from optical grade PMMA (acrylics) to ensure excellent optical properties as well as long-term material stability and durability.



L2Optics 20mm Series Lenses can be supplied with or without holders. There are currently two different holders: for Luxeon Emitters and Star 1W, for Star 3/5W.

Each of these optic holders is available in clear, white or black. For a complete description of the holders and their versions, please look at the Optic Holder section of this data sheet.



Optic Dimension

[Online Store](#)



[Products](#)



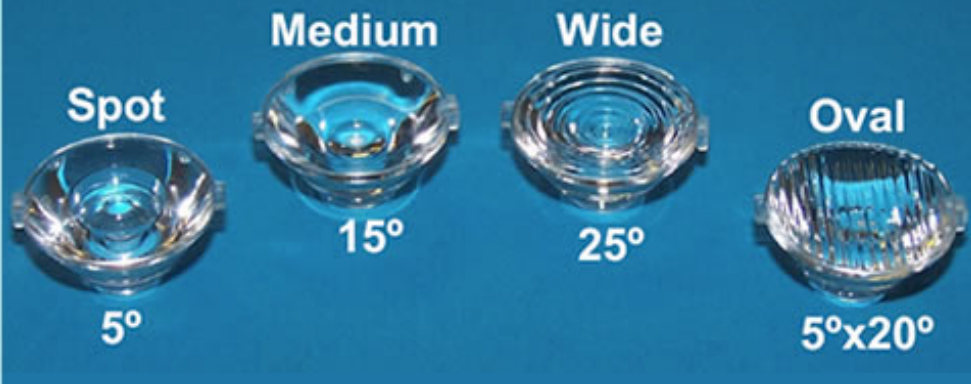
- [Flare Lens](#)
- [20mm Series Lenses and Holders for Luxeon LEDs](#)
- [20mm Series Lenses and Holders for Osram "Golden Dragon" LEDs](#)
- [OPTX Lens System for Cree XLamp 7090 LEDs](#)
- [OPGD Lens System for Osram Golden Dragon LEDs](#)
- [OPIO Lens System for Nichia Jupiter LEDs](#)
- [OPK2 Lens System for Luxeon K2 LEDs](#)

[Applications](#)

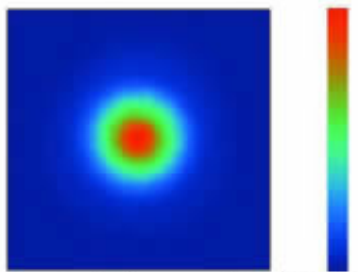


[Design Services](#)

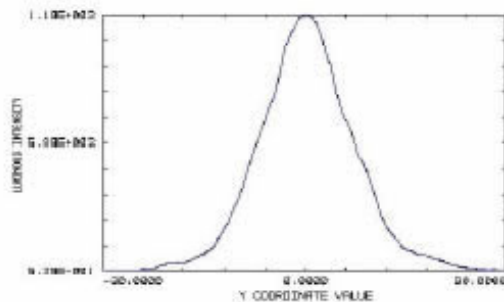




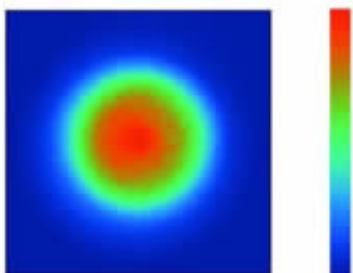
All L<sub>2</sub>Optics 20mm Series lenses are made of optical grade PMMA (acrylics) to ensure excellent optical properties as well as long-term material stability and durability and have an optical efficiency of the lenses is 85% minimum.



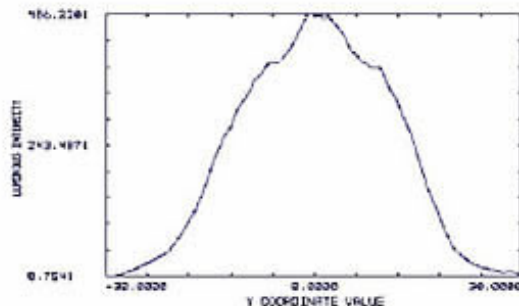
Typical Narrow Distribution  
**Spot Lens - 5°**



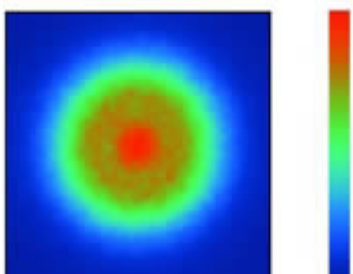
Typical half-angle divergence 5°



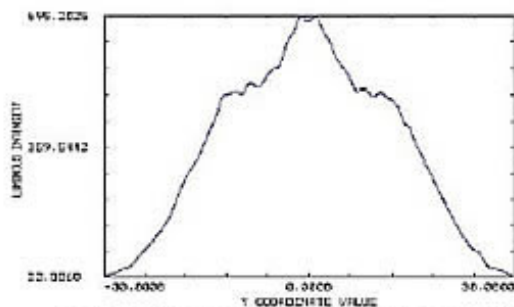
Typical Medium Distribution  
**Medium Lens - 15°**



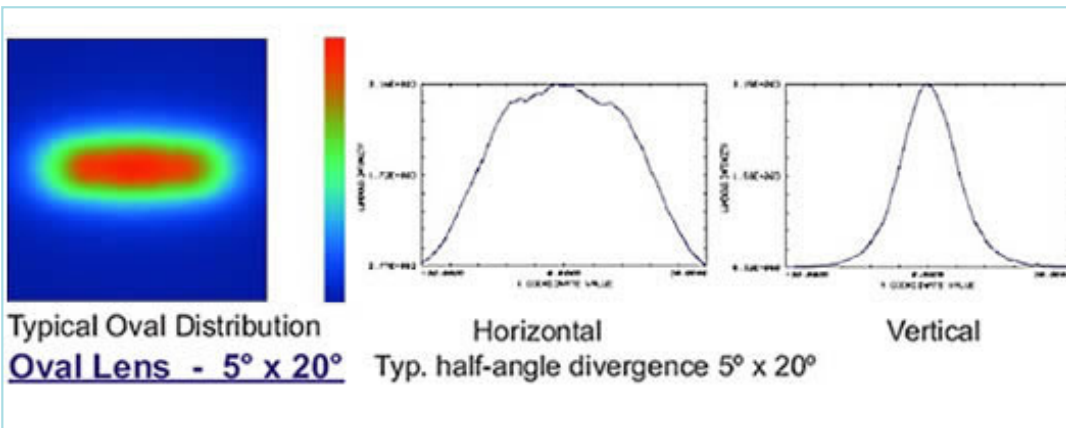
Typical half-angle divergence 15°



Typical Wide Distribution  
**Wide Lens - 25°**



Typical half-angle divergence 25°



L2Optics have developed a new type of easy-to-use holder for use with Luxeon LEDs and L2Optics 20mm Series Lenses. There are currently two different type of holders:

- OH-ES1 for Luxeon Emitters & Star 1W
- OH-S35 for Star 3W or 5W

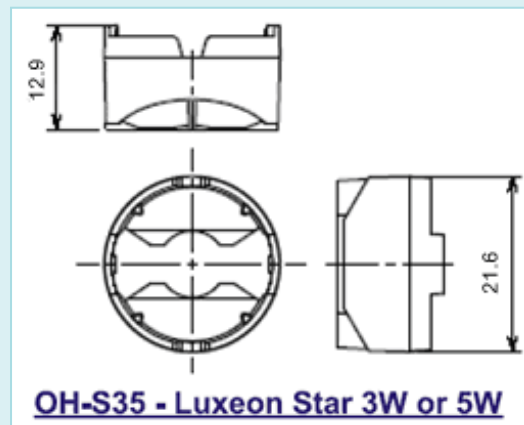
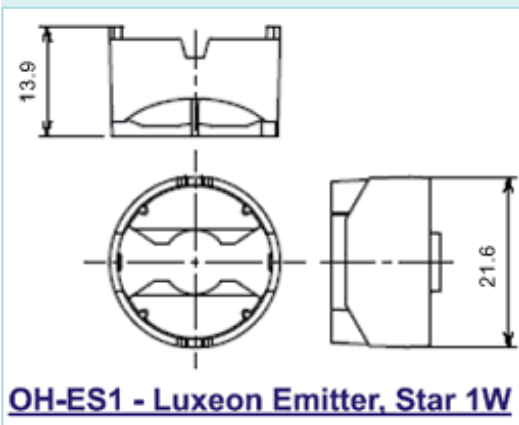
The OH-S35 optic holder has a slightly lower profile and can also be used for drop-through LED mounting, using 0.8mm FR4 PCB with an 8.0mm hole for the LED slug, enabling it to be mounted directly on the heatsink surface beneath.

L2Optics are also happy to make special customized holders to meet your specific needs. Please ask L2Optics for a quotation.

L2Optics holders position themselves easily and accurately on top of the LED. They are easy to fasten onto the PCB by using an appropriate adhesive.

The snap-lock fastening of the lens is very secure and does not allow lens to move or drop out of the holder, once it has been placed.

L2Optics holders are made of durable polycarbonate plastics. There are currently three standard colours available: clear, white and black. However, if you need a specific colour for your application, please ask L2Optics for a quotation.



## Part Numbers

|           |                                 |
|-----------|---------------------------------|
| OP-005    | 20mm Series Spot Optic - 5°     |
| OP-015    | 20mm Series Medium Optic - 15°  |
| OP-025    | 20mm Series Wide Optic - 25°    |
| OP-520    | 20mm Series Oval Optic - 520°   |
| OH-ES1-CL | Luxeon Emitter, Star 1W - Clear |
| OH-ES1-WH | Luxeon Emitter, Star 1W - White |
| OH-ES1-BK | Luxeon Emitter, Star 1W - Black |
| OH-S35-CL | Luxeon Star 3W or 5W - Clear    |
| OH-S35-WH | Luxeon Star 3W or 5W - White    |
| OH-S35-BK | Luxeon Star 3W or 5W - Black    |

[<< Back to products page](#)

[Home](#) | [Company](#) | [Products](#) | [Applications](#) | [Design Services](#) | [Manufacturing](#) | [Contact](#)

web design by [Extreme Creations](#)

## **X-ON Electronics**

Largest Supplier of Electrical and Electronic Components

*Click to view similar products for [l2 optics](#) manufacturer:*

Other Similar products are found below :

[L2 Optics](#)