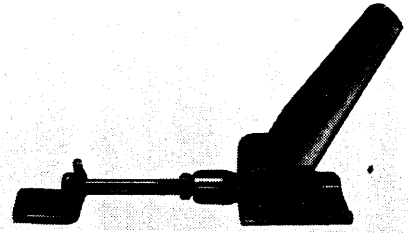


TL110A

717 1640



A compact size Toggle latch offering high strength with adjustability, the TL110 is vibration proof, provides for gasket pull up and, when unlocked, the hook on the latch stows flat to avoid catching on clothing and to avoid damage.

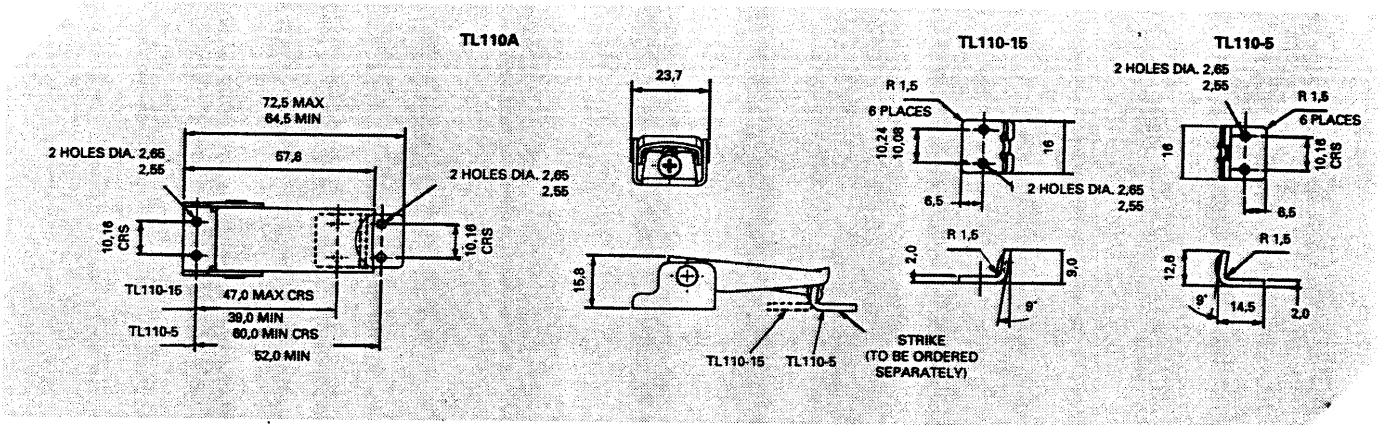
FINISH CODE

The following suffix number should be added to latch and strike part number to indicate finish/material required.

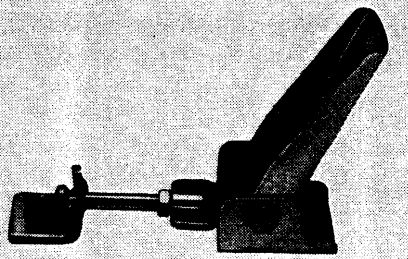
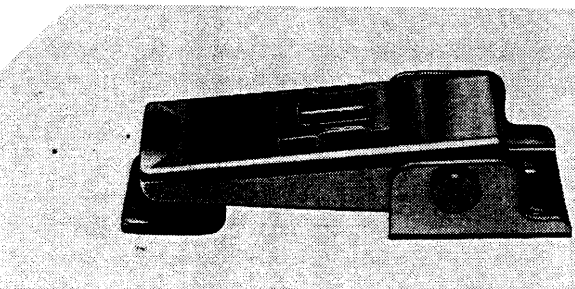
Zinc Plated	- No suffix	Example	TL110A
Black Zinc	- - 13	Example	TL110-5-13
Stainless Steel	- - 1	Example	TL110AX-1
Chrome Plated	- - 5	Example	TL110-5-5

TECHNICAL DATA

Overall length (including strike)	TL110A	: Min. 64,5 mm. Max. 72,5 mm
	TL110AX	: Min. 64,5 mm. Max. 72,5 mm
Overall width		: 23,7 mm
Strength		: Working tension 1200N (270 lbf)
		: Ultimate tension 1450N (326 lbf)
Adjustment		: 8 mm
Pull up		: 8 mm
Material		: Cold rolled steel or Stainless steel - Finish plain.
Finish		: Zinc plated and Chromate Passivate to B.S. 1706 : Zn.3.
		: Chrome plated to B.S. 1224
		: Black Zinc to BS 1706 : Zn.3.



TL110AX



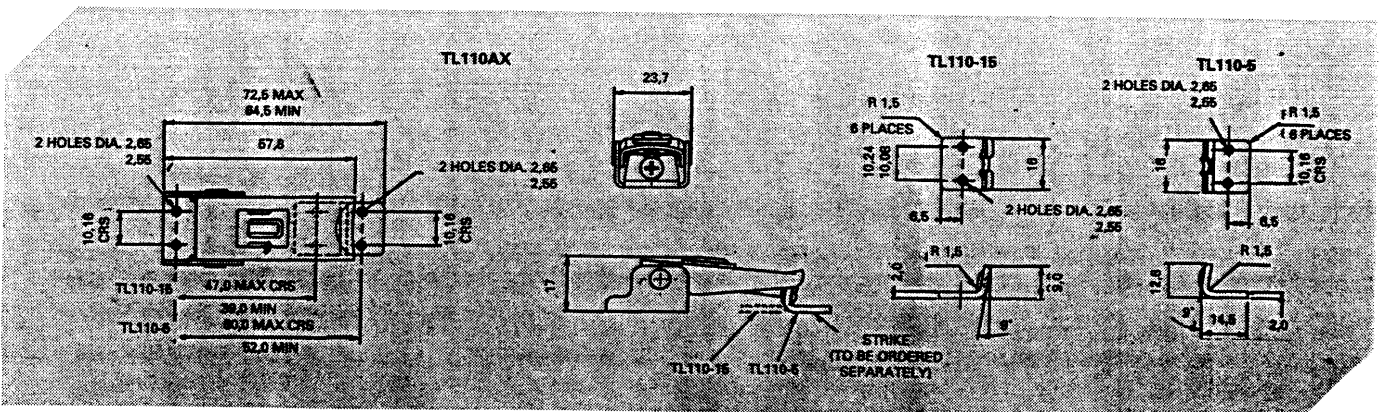
A toggle to the design of the TL110 series but offering a secondary lock feature which requires manual operation before disengaging hook from strike. This feature is designed to prevent accidental unlocking.

TECHNICAL DATA

Technical data as TL110 series.

INSTALLATION DATA

Latches and strike may be fitted with either 2,5mm dia round head rivets #3 Unified round head screws or #3 round head woodscrews. Fixing holes in latch and strike at 2,60mm dia. nominal.



X-ON Electronics

Largest Supplier of Electrical and Electronic Components

Click to view similar products for [dzus](#) manufacturer:

Other Similar products are found below :

[Dzus](#)