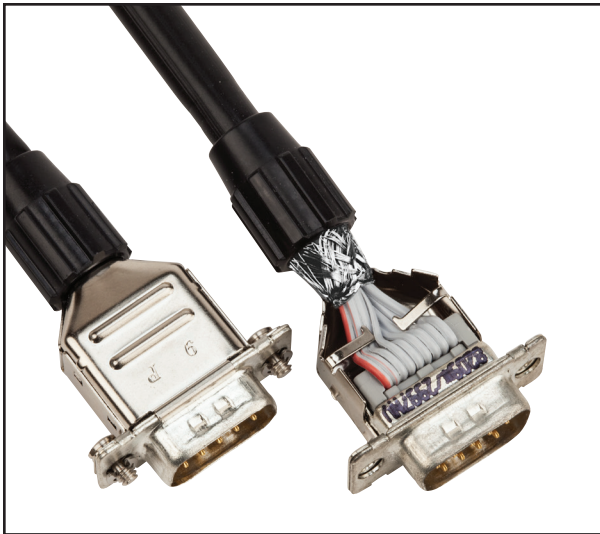


# 3M™ D Sub EMI Junction Shell

Metal



- Provides EMI/ESD protection similar to aluminium die cast
- Easy assembly reduces time and labor to ensure low applied cost
- Optional thumbscrew kit
- Provides option in grounding for discrete wire applications
- Light weight, compact design
- See the Regulatory Information Appendix (RIA) in the “RoHS compliance” section of [www.3Mconnectors.com](http://www.3Mconnectors.com) for compliance information

Date Modified: May 13, 2015

TS-0036-G  
Sheet 1 of 2

## Physical

### Shell and Hardware:

Material: Steel

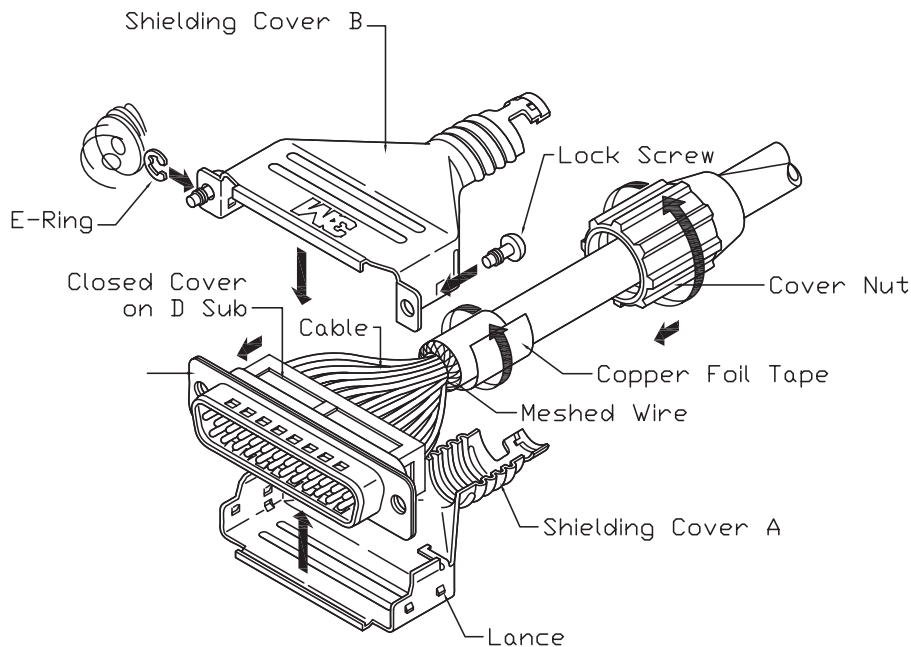
Plating: Nickel

### Cover Nut:

Material: Unfilled Thermoplastic (ABS)

Flammability: UL 94V-0

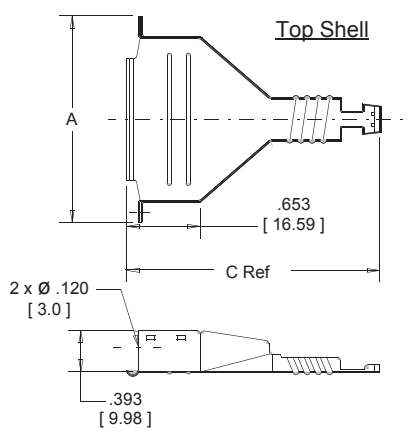
Color: Black



# 3M™ D Sub EMI Junction Shell

Metal

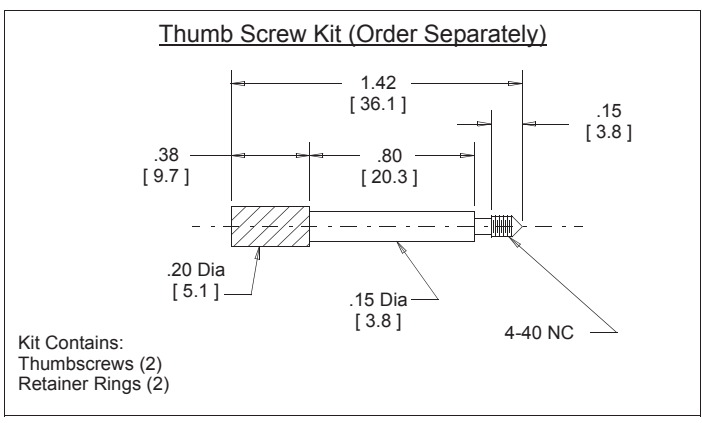
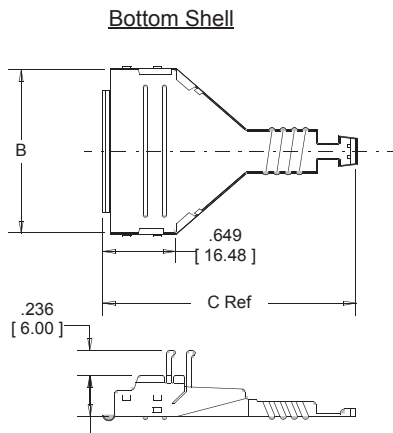
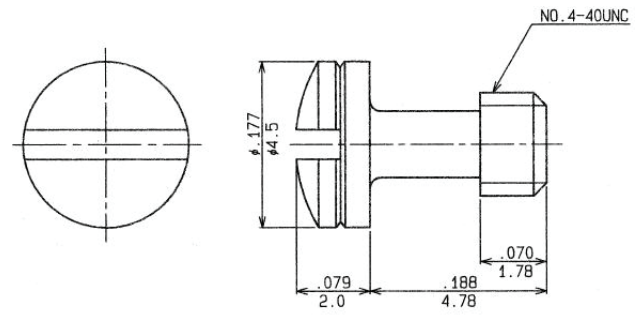
Connector Size	Dimensions						Recommended Cable size OD ±.01
	A	B	C Ref	D	E [± .03]	F	
09	1.18 [30.0]	0.76 [19.4]	1.65 [41.9]	0.54 [13.6]	0.29 [7.3]	0.75 [18.9]	0.28 [7.0]
15	1.50 [38.0]	1.09 [27.6]	1.85 [46.9]	0.54 [13.6]	0.34 [8.7]	0.75 [18.9]	0.33 [8.5]
25	2.05 [52.0]	1.63 [41.4]	2.24 [57.0]	0.65 [16.4]	0.43 [10.8]	0.98 [24.9]	0.42 [10.6]
37	2.68 [68.0]	2.28 [57.8]	2.78 [70.6]	0.74 [18.8]	0.48 [12.2]	1.10 [28.0]	0.47 [12.0]



Inch [mm]

Tolerance Unless Noted		
Inch	±.1	±.01
	.0	.00
	.00	.000
	±.005	

[ ] Dimensions for Reference Only



Note: The 3M™ 3341-7 Thumb Screw contains lead in the base material, therefore RIA E5 & C3 apply when using this hardware.

## Ordering Information

**Junction Shell** (RIA E1 & C1 Apply)  
**3357 - 92XX**

**Thumb Screw Kit** (RIA E5 & C3 Apply)  
**3341-7**  
**Retainer Ring** (RIA E1 & C1 Apply)  
**3808-ER**

Connector Size  
09 = 9 Position  
15 = 15 Position  
25 = 25 Position  
37 = 37 Position

TS-0036-G  
Sheet 2 of 2

### **Important Notice**

All statements, technical information, and recommendations related to 3M's products are based on information believed to be reliable, but the accuracy or completeness is not guaranteed. Before using this product, you must evaluate it and determine if it is suitable for your intended application. You assume all risks and liability associated with such use. Any statements related to the product which are not contained in 3M's current publications, or any contrary statements contained on your purchase order shall have no force or effect unless expressly agreed upon, in writing, by an authorized officer of 3M.

### **Warranty; Limited Remedy; Limited Liability.**

This product will be free from defects in material and manufacture for a period of one (1) year from the time of purchase. **3M MAKES NO OTHER WARRANTIES INCLUDING, BUT NOT LIMITED TO, ANY IMPLIED WARRANTY OF MERCHANTABILITY OR FITNESS FOR A PARTICULAR PURPOSE.** If this product is defective within the warranty period stated above, your exclusive remedy shall be, at 3M's option, to replace or repair the 3M product or refund the purchase price of the 3M product. **Except where prohibited by law, 3M will not be liable for any direct, indirect, special, incidental or consequential loss or damage arising from this 3M product, regardless of the legal theory asserted.**



### **Electronics Materials Solutions Division**

6801 River Place Blvd.  
Austin, TX 78726-9000  
U.S.A.  
1-800-225-5373  
[www.3Mconnectors.com](http://www.3Mconnectors.com)

Please recycle. Printed in USA.  
© 3M 2015. All rights reserved.  
RIA-2217B-E

3M is a trademark of 3M Company.

## X-ON Electronics

Largest Supplier of Electrical and Electronic Components

*Click to view similar products for [3m manufacturer](#):*

Other Similar products are found below :

[SC401U](#) [98-0003-3071-6](#) [80-0012-6467-2](#) [00-054007-70220-7](#) [00-054007-34717-0](#) [021200-40230](#) [6840-2X50-GRAY](#) [701-W](#) [7993MP-2CIRCLE-100](#) [FDV14-187C](#) [FE-5100-5126-4](#) [FE-5100-5273-4](#) [FE-5100-5492-0](#) [8124/14](#) [812510-100](#) [8125/17](#) [813216](#) [8204-3LFM](#) [8425-8MNG14BCX](#) [FP301-1-6"-Clear](#) [FV14-6C](#) [920102-01-25-R](#) [927739-40](#) [929835-01-28-RK](#) [929974-01-40-R](#) [951240-2520-AR-PR](#) [960X/980X](#) [98-0003-3075-7](#) [HF36564-100](#) [HF625/26-30](#) [1/2-5-4492W](#) [1/2-5-5430](#) [1/2-5-850S](#) [1/2-5-3431](#) [12X12-6-4056B](#) [12X12-6-433](#) [12X12-6-4930](#) [1311](#) [13-500-NB](#) [14526-EZ5B-300-02C](#) [1-4-4658F](#) [14520-EZAB-300-0EC](#) [DSTK9013-3420](#) [DSTK9015-3402](#) [14T26-SZLB-200-0LC](#) [14T50-SZWB-100-0NC](#) [1-5-3437](#) [1-5-4496W](#) [1-5-4943F](#)