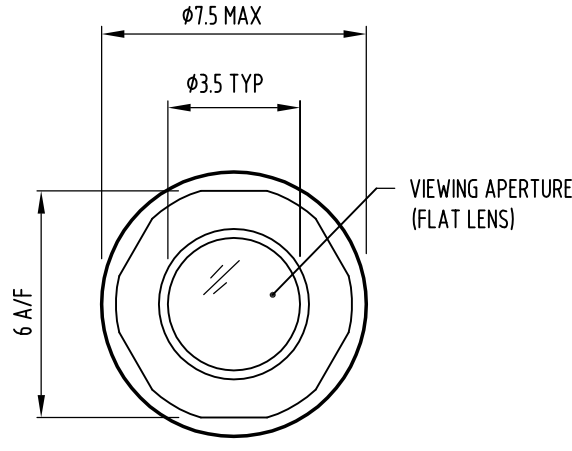
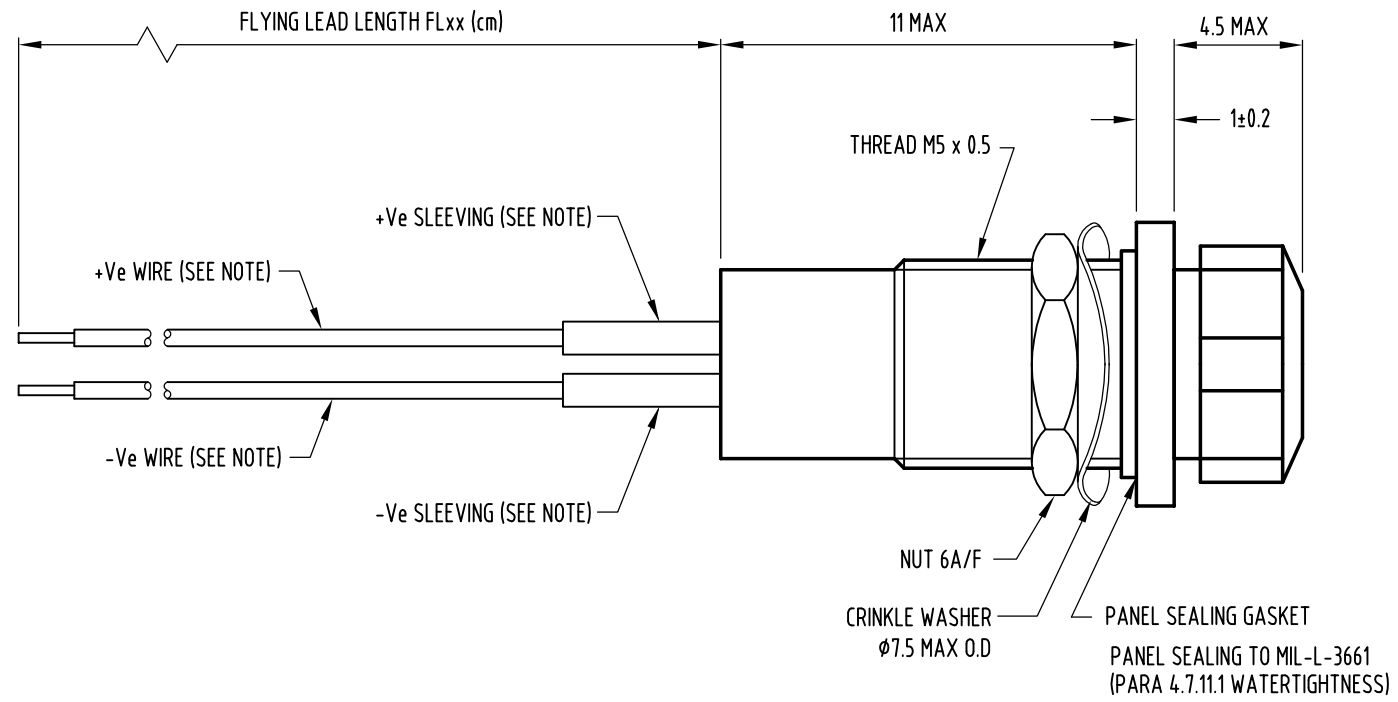


THIS DRAWING AND THE COPYRIGHT AND DESIGN RIGHT THEREIN ARE THE PROPERTY OF OXLEY DEVELOPMENTS CO. Ltd. AND MUST NOT BE REPRODUCED OR DISCLOSED TO A THIRD PARTY WITHOUT PRIOR WRITTEN CONSENT OF THE COMPANY.

MODIFICATIONS					
ZONE	ISS.	DESCRIPTION	DATE	DRN. CHK.	APP.
ALL	2	NEW LAYOUT, BI-COLOUR & NICKEL PLATED ADDED	21 APR 2009	D.Roy	09/336
	3	HIGH INTENSITY ADDED. DCR 10-0015	21 APR 2010	TC/RA	MT



END VIEW AS SEEN WHEN MOUNTED IN CHASSIS  
ORIENTATION OF SHROUD FLATS WITH RESPECT TO TERMINATIONS NOT NECESSARILY AS SHOWN

ORDERING INFORMATION (STANDARD)  
WHEN ORDERING, PLEASE STATE TYPE NUMBER, SPECIFYING FLYING LEAD LENGTH & LED COLOUR REQUIRED:  
e.g OXL/MIL50/FL30/RD  
FLYING LEAD LENGTH IN cm (i.e. FL30 = 300mm LEAD)  
LED COLOUR REQUIRED (RD, YW or GN) RED, YELLOW or GREEN

ORDERING INFORMATION (HIGH INTENSITY)  
FOR HIGH INTENSITY OPTION, PLEASE INCLUDE 'H' WITHIN TYPE No.  
e.g OXL/MIL50/FL30/H/GN  
INDICATES HIGH INTENSITY LED (USE FOR GN - GREEN & YW - YELLOW)  
e.g OXL/MIL50/FL30/AL (FOR HIGH INTENSITY RED USE /AL - AlGaS RED)

ORDERING INFORMATION (BI-COLOUR)  
WHEN ORDERING, PLEASE STATE TYPE NUMBER, SPECIFYING FLYING LEAD LENGTH & BI-COLOUR LED REQUIRED:  
e.g 2OXL/MIL50/FL30/RD/GN  
FLYING LEAD LENGTH IN cm (i.e. FL30 = 300mm LEAD)  
LED BI-COLOURS REQUIRED (RD, YW or GN) RED, YELLOW or GREEN

ORDERING: NICKEL PLATED BODY  
FOR NICKEL PLATED BODY OPTION, PLEASE INCLUDE 'NP' WITHIN TYPE No.  
e.g OXL/MIL50/NP/FL30/RD  
INDICATES NICKEL PLATED BODY

NOTE: WIRE & SLEEVE COLOUR

- SINGLE LED COLOUR VARIANTS**  
+Ve RED WIRE, -Ve BLACK WIRE  
+Ve BLACK SLEEVE, -Ve BLACK SLEEVE
- BI-COLOUR LED VARIANTS**  
+Ve BLACK WIRE & -Ve BLACK WIRE  
COLOUR CODED SLEEVE INDICATES EMITTING COLOUR +Ve  
e.g. RED SLEEVE IS RED +Ve & GREEN SLEEVE IS GREEN +Ve

MATERIALS

- TERMINATIONS : COPPER ALLOY WIRE, PVDF INSULATION  
LENS : GLASS  
SEALING RING : VITON RUBBER  
WASHER : Be. Cu. FINISH TIN  
BODY : ALUMINIUM ALLOY, CLEAR (NICKEL PLATE OPTION)  
NUT : ALUMINIUM ALLOY, CLEAR  
SHROUD : ALUMINIUM ALLOY, BLACK ANODISED (MATT)

MOUNTING DETAILS

- MOUNTING HOLE ø5<sup>+0.1</sup><sub>0</sub>  
SEALING SURFACE TO BE BURR FREE AND CLEAN  
RECOMMENDED MOUNTING TORQUE 0.5Nm  
CHASSIS THICKNESS 1 to 4mm

STANDARD ELECTRICAL/OPTICAL CHARACTERISTICS	RED	YELLOW	GREEN
LUMINOUS INTENSITY (TYPICAL) at 20mA If (mcd)	50	40	50
MAXIMUM FORWARD CURRENT (mA)	30	20	30
FORWARD VOLTAGE (TYPICAL)	2.2	2.2	2.3
REVERSE BREAKDOWN VOLTAGE (MINIMUM)	5	5	5

HIGH INTENSITY ELECTRICAL/OPTICAL CHARACTERISTICS	GREEN	YELLOW	AlGaS RED
LUMINOUS INTENSITY (TYPICAL) at 20mA If (mcd)	1250	1000	1200
MAXIMUM FORWARD CURRENT (mA)	35	30	30
FORWARD VOLTAGE (TYPICAL)	3.2	2.1	1.9
REVERSE BREAKDOWN VOLTAGE (MINIMUM)	5	5	5

OPERATING TEMPERATURE RANGE	-40°C to +100°C
-----------------------------	-----------------

UNLESS OTHERWISE SPECIFIED DIMENSIONS ARE IN MILLIMETRES DECIMALS ± 0.1 ANGLES ± 0°30' REMOVE BURRS AND SHARP EDGES ALL DIMENSIONS AFTER PLATING	DRAWN	SIMON RUSSAM			OXLEY DEVELOPMENTS COMPANY LTD. t. 44 (0)1229 582621 Priority Park, Ulverston, Cumbria, LA12 9QG. ENGLAND. f. 44 (0)1229 585090 www.oxleygroup.com				
	CHECKED	TOM DAVIS			TITLE				
	APPROVED	DA01/88			SUB-MINIATURE LED INDICATOR LAMP, (FLYING LEAD TERMINATIONS)				
MATERIAL	AS STATED	DATE	7 NOV 2000	SIZE	A3	DRAWING No.	CP32501	ISS.	3
FINISH	AS STATED	TYPE No.	OXL/MIL50/FLxx/-	SCALE	5:1	WEIGHT	N/A	SHEET	1 OF 1

## X-ON Electronics

Largest Supplier of Electrical and Electronic Components

*Click to view similar products for Oxley manufacturer:*

Other Similar products are found below :

[OXL/CLH/100/FL30/GREEN](#) [OXL/CLH/100/12AC/FL30/ALGAAS RED](#) [OXL/CLH/100/230/FL30/GREEN](#)

[OXL/CLH/100/P/24AC/FL30/ALGAAS RED](#) [OXL/CLH/100/24AC/FL30/ALGAAS RED](#) [OXL/CLH/100/24AC/FL30/WHITE](#)

[OXL/CLH/63/FL30/GREEN](#) [DLT/1000/ROHS](#) [FLTM/P/1500/ROHS](#) [OXL/CLH/63/BB/24AC/FL30/GREEN](#) [SN/040/RPL SILVER](#)

[OXL/CLH/100/230/FL30/ALGAAS RED](#) [SN/040/LT/BA SILVER](#) [OXL/CLH/63/24AC/FL30/YELLOW](#)

[OXL/CLH/80/P/12AC/FL30/H/GREEN](#) [LSB2/156/RED](#) [LSB2/156/WHITE](#) [030/30P/KP2 SILVER](#) [DLT/10000/ROHS](#) [028/30P/KP2/L](#)

[SILVER](#) [040/T/KP2 SILVER](#) [SN/040/RP SILVER](#) [LS/B1/093 WHITE](#) [040/30P/KP2 SILVER](#) [SN/040/LT SILVER](#) [FLTM/P/5000/ROHS](#)

[040/30P/KP2/L SILVER](#) [SMOX/060/B1/LP GOLD](#) [040/30P/LA/KP2 SILVER](#) [050/LT/B2](#)