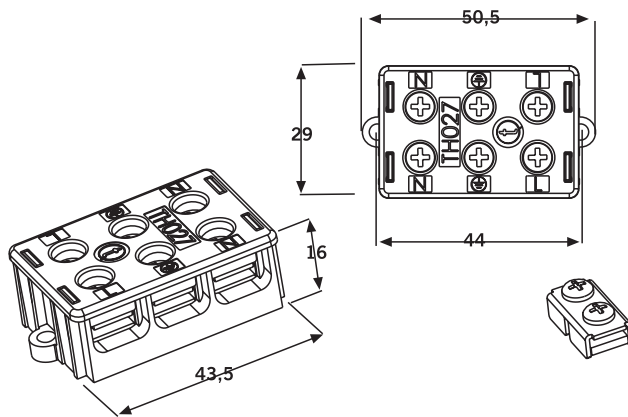




TH027

2-3 Poli



Capacita' di connessione fino a 6[□]
Connection capability up to 6[□]

Morsettiera a carrello in ottone nichelato 2+2, 3+3 poli con viti imperdibili in acciaio zincato passivato.

Nickel plated brass rising clamp terminal block, 2+2, 3+3 poles, with zinc passivated steel captive screws.

Dati tecnici - Technical data

41A

T125

450V~

PTI175

Codice - Part number

THC.027.AXA

3 poli poles




THC.027.A1A

Materie prime - Raw materials

Materia plastica - Plastics

PA66GF UL94 V0 GWT 960°C

 Marrone - Brown

-20°C

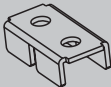
+125°C

Bussole- Insert



M3,5 X 7,5

Acciaio zincato passivato
Zinc plated steel



Ottone nichelato
Nickel plated brass



Acciaio zincato passivato
Zinc plated steel

2 poli poles



THC.027.A2A

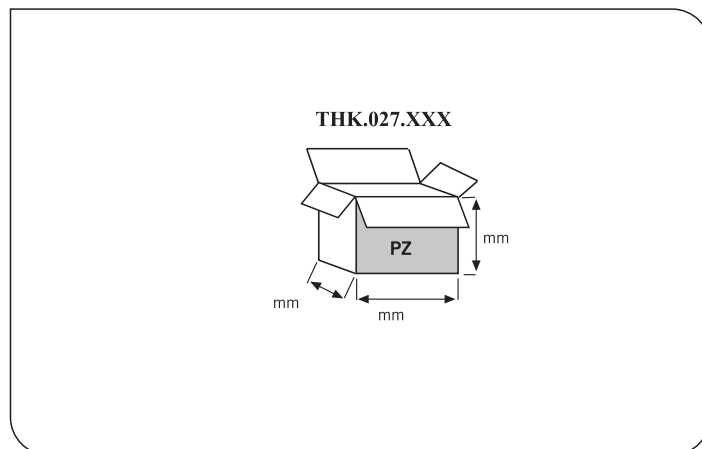
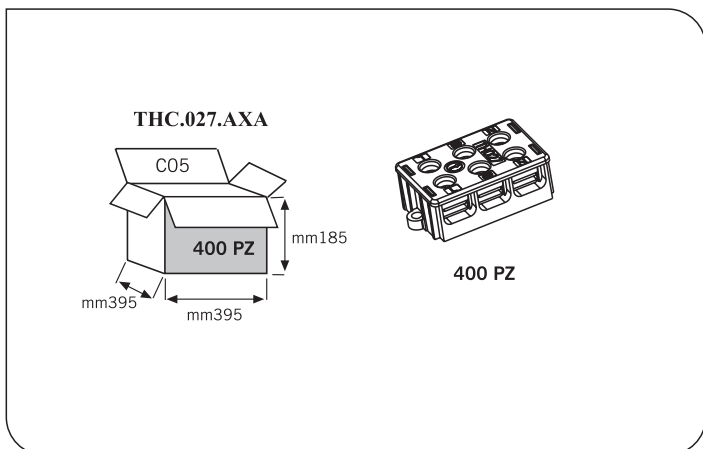
Norme - Standards

EN 60998-1:2004
EN 60998-2-1:2004



Kit di fornitura non assemblato THC
Unassembled kit THC

Kit di fornitura con versionamenti e confezionamenti speciali THK
Special custom packed version THK



Kit di fornitura imbustati THR
Fare riferimento a catalogo THR
Retail packed kit THR
Please refer to THR Retail Catalogue



X-ON Electronics

Largest Supplier of Electrical and Electronic Components

Click to view similar products for [hylec manufacturer](#):

Other Similar products are found below :

[LN167001](#) [50.625 PA/3X7](#) [50.620 PA/R](#) [DESTB-1003](#) [THB.406.A1G](#) [THB.387.A4A.R](#) [K150-1032-00](#) [GHG9601955R0004](#) [K151-1032-00](#)
[HYKS-07612PP](#) [THB.382.A1A-KIT](#) [THB.390.A1AKIT](#) [THK.404.X2A00-F](#) [50.216 ES](#) [50.616M/EMVDL-F](#) [50.625 ES](#) [PA244SKIT](#)
[THB.387.A3A](#) [THB.405.A2A](#) [50.220 M-F](#) [HY435/12 FV](#) [THB110A6B-F](#) [50.216 M-F](#) [THB.387.B5A](#) [5625////1121](#) [THB.380.3ASSY](#)
[THB.405.A2G](#) [THA.209.A1A](#) [DESTB-1002](#) [THB.384.A1A](#) [K257-1012-00](#) [6000302CC](#) [TTK25BK-SD-F](#) [TTK20GY-SD-F](#) [DESTB-0403](#)
[THB.384.B1A](#) [50.625 PA/RSW](#) [HY508/3 V/3F](#) [5665/221](#) [THB.387.D4A](#) [THB.387.B4A](#) [THR.405.S5A](#) [THB.381.M2A](#) [THB.387.A5A](#)
[THB.387.C5A](#) [THB.387.D3A](#) [50.625 M/EMVDL-F](#) [THK.200.3T](#) [THB.381.A2A](#) [K160-1040-00](#)