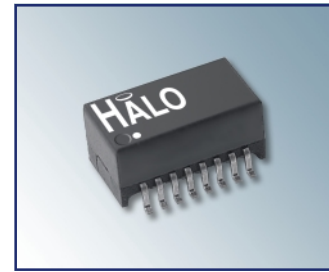
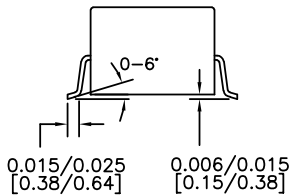
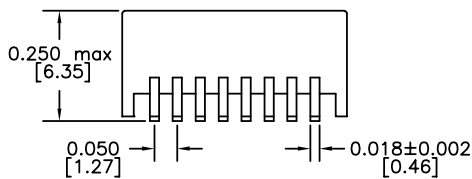
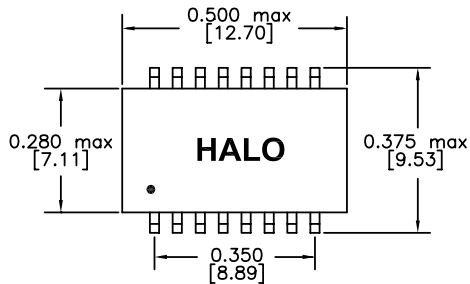


HALO Electronics is pleased to offer the E-Ultra™, the industry's first extended temperature range SOIC-16 Fast Ethernet magnetic module. The IEEE802.3 compliant Ultra™ series was originally developed by HALO as the first miniature 10/100 solution for real estate and cost sensitive applications. The E-Ultra™ now offers the same high performance over the industrial temp. range of -40 to +85C. Standard devices are available for all leading silicon vendors' Phy's.



N5 Package



DIMENSIONS : Inch[mm]
CO-PLANARITY : 0.004[0.10]

Patented Construction

US Pat Nbrs: 5,656,985
6,297,721 B1
6,297,720 B1
6,320,489 B1
6,344,785 B1

Electrical Specifications @ 25°C

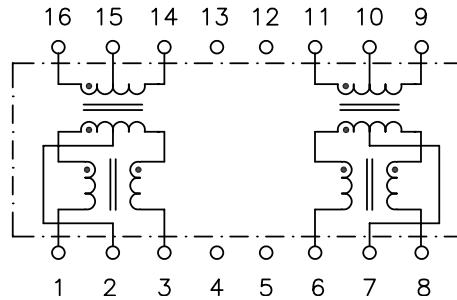
Operating Temp: -40 to +85°C
CMR (0.1-100MHz): -40dB typ
Crosstalk (0.1-100MHz): -40dB min
Isolation Voltage: 1,500Vrms
OCL @100KHz, 8mA: 350µH min (over full temp. range)



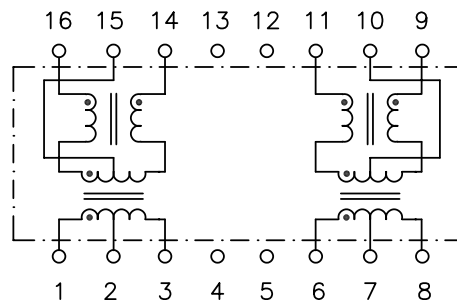
RoHS compliant versions are available.

Specify RoHS compliant product by adding the suffix "RL".

Schematic A



Schematic B



Part Number	Turns Ratio +/- 3% (1-3:16-14)/(6-8:11-9)	Circuit Schematic	PRI/SEC Cw/w (pF typ)	PRI DCR (Ωmax)
TG110-E050N5	(1CT:1CT) / (1CT:1CT)	A	25	1.0
TG110-E055N5	(1CT:1CT) / (1CT:1CT)	B	25	1.0
TG110-E120N5	(2CT:1CT) / (1CT:1CT)	B	25	1.3
TG110-E125N5	(1CT:1CT) / (2CT:1CT)	B	25	1.3
TG110-E139N5	(1.25CT:1CT) / (1CT:1CT)	B	25	1.3

X-ON Electronics

Largest Supplier of Electrical and Electronic Components

Click to view similar products for [halo manufacturer](#):

Other Similar products are found below :

[TG1G-E012NZRL](#) [TG04-4006NSRL](#) [TD71-1205A](#) [TG01-0406NS](#) [TG110-S462NX](#) [TG27-1505NX](#) [TG83-S001NXX-5](#) [TG98-1505J-TR](#)
[TG98-1505NZ](#) [TGSP-ASC1NS-T/R](#) [TGM-210NSRL](#) [HFJ14-E1G41ER-L11RL](#) [TG15-1505NS-TR](#) [TG63-1205N1](#) [TG92-2006N1RL](#) [TG110-S450NX](#) [TGM-420NFRL](#) [TG22-S012NDRL](#) [TG111-HPE1NYNLFTR](#) [TG110-RP55N5RLTR](#) [TDR110-E50Y16LF](#) [TG110-S422NX-TR](#)
[HFJT1-E1G20C3-L12RL](#) [TG110-E050N5RL](#) [TGMR-450V8LF](#) [TG1G-S012NZRLTR](#) [TG75-1406NRL](#) [HFJT1-S013U-L11RL](#) [TG1G-E220NWLF](#) [TGMR-512V6LF](#) [TGSP-S024NXRL](#) [TG01-1006NRL](#) [TGM-010P3RL](#) [TGM-240NSLF](#) [LG01-0346N2RL](#) [TG1G-AE11NZ6NL](#)
[TG1G-E012NZLF](#) [TG43-4406NCRL](#) [TGM-H280V8LF](#) [TD55-1406L1RL](#) [TG111-HPE3NZLF](#) [HFJ11-1G01E-L12RL](#) [HCJ24-804SK-L11](#)
[MST1-PS323EX-UNVRL](#) [HCJ26-804SK-L12](#) [TGR1G-S410N24LF](#) [TG36-1505NX-TR](#) [HFJP1-1G11-S1LF](#) [HFJT1-PP50RL](#) [TGM-340NARL](#)