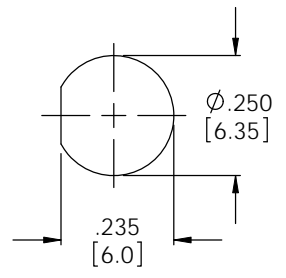
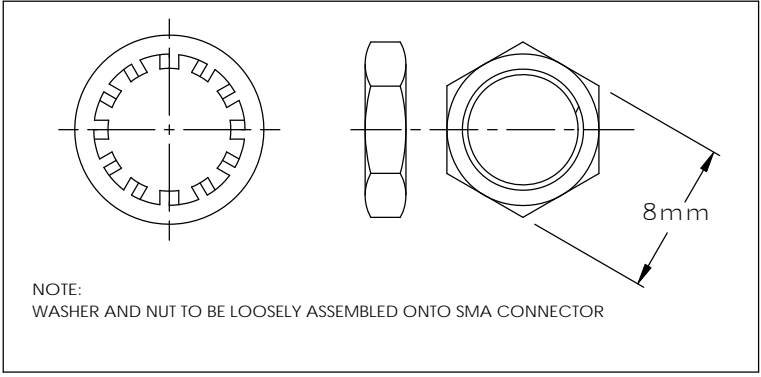
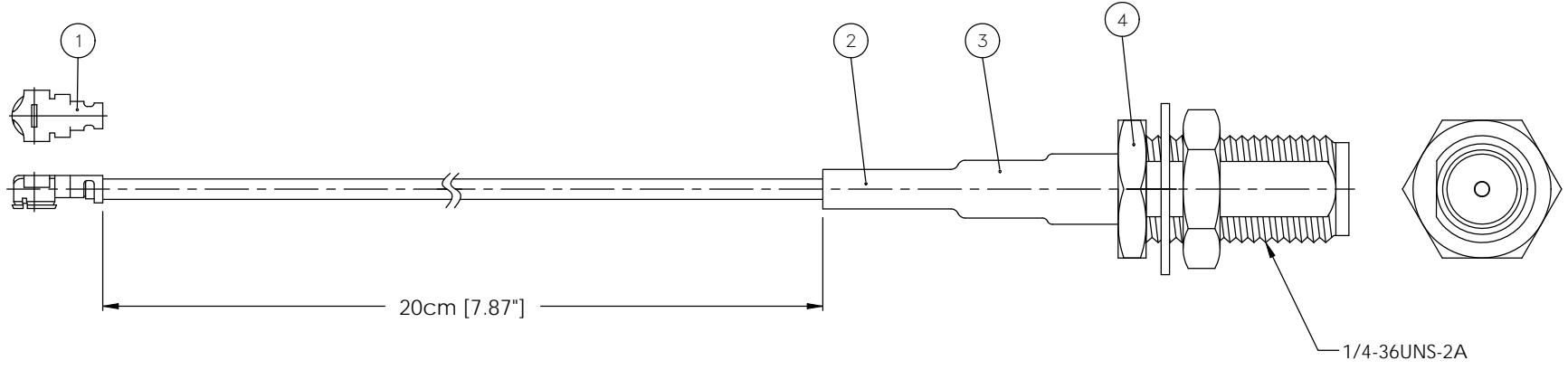


THE INFORMATION CONTAINED IN THIS DRAWING IS THE SOLE PROPERTY OF L-COM, INC. ANY REPRODUCTION IN PART OR WHOLE WITHOUT THE WRITTEN PERMISSION OF L-COM, INC. IS PROHIBITED.

REVISIONS			
REV	DESCRIPTION	DATE	APPROVED
A	Initial Release	2/24/10	B.Puchaski

No#	DESCRIPTION	Qty	MATERIAL
1	U.FL Connector	1	--
2	Ø 1.13 mm Cable	1	--
3	Heat Tubing	1	--
4	SMA Female Bulkhead	1	Gold Plated Brass



RECOMENDED HOLE DIMENSION FOR SMA CONNECTOR

UNLESS OTHERWISE SPECIFIED, DIMENSIONS ARE IN MILLIMETERS  DIMENSIONAL TOLERANCES: .X = ±0.2 .XX = ±0.1 .XXX = ±0.05  ANGULAR TOLERANCES: ALL = ± 5°  PROJECTION	APPROVALS B.Puchaski	DATE 02/24/10		45 BEECHWOOD DRIVE NORTH ANDOVER, MA 01845	
	CHECKED BY M.Audas	DATE 02/24/10		CATEGORY COAXIAL	
	APPROVED BY M.Audas	DATE 02/24/10	PRODUCT DESCRIPTION U.FL to SMA Female Bulkhead 20 cm - 1.13 Series Cable		
	COLOR VARIATIONS MAY OCCUR	SIZE <b>A</b>	FSCM NO. <b>43321</b>	DWG. NO. CA-UFLSBQC20	REV. <b>A</b>
SCALE: NONE		CAD FILE: CA-UFLSBQC20.SLDDRW		SHEET 1 OF 1	

## X-ON Electronics

Largest Supplier of Electrical and Electronic Components

*Click to view similar products for [l-com manufacturer](#):*

Other Similar products are found below :

[FOA-550A](#) [UMC-201](#) [CSMN50MF-5](#) [CSMNB15MF-15](#) [TRD815RA2BL-5](#) [CA3N050](#) [CA3A-90DA-1M](#) [CTLF3VGAMM-20](#) [HDCAMM-3](#)  
[U3A00014-03M](#) [ECF-SK-25](#) [CSMT15MF-10](#) [CSMT15MM-15](#) [CSMT15MM-25](#) [CSPL15MF-50](#) [CSPL25MF-25](#) [CSPL9MF-10](#) [CSPL9MF-](#)  
[5](#) [CSPL25MF-5](#) [CSPL25MF-2.5](#) [AL-IPEPS](#) [NB201611-10F-1](#) [TDG1026KC5-MNL](#) [NB121005-10F](#) [TRD855SRA6DBL-10M](#)  
[TRD855SRA7DBL-1M](#) [TRD855SRA7DBL-10M](#) [PR175SCDLCQ24](#) [TRG508-T4T-3M](#) [TRA5261-15F](#) [TRA5261S-1F](#) [TRA6261-1F](#)  
[USBBFT](#) [DGB25M](#) [CASATAL-18](#) [CSM25MM-10](#) [CSM37MF-10](#) [CSUSB-100](#) [CA3A-90RA-1M](#) [CA3A-90RMICB-1M](#) [U2A00003-3M](#)  
[U3A00003-05M](#) [U2A00008-12I](#) [U3A00007-075M](#) [U3A00007-1M](#) [CSMT15MF-5](#) [CSMT15MM-50](#) [CSPL15MF-25](#) [LPXT-WP-PMT](#)  
[CSMT15MF-50](#)