

A

Part front panels

B

Part front panel with handle

- **TFP OG** part front panel without handle with handle perforation
- **TFP AG** part front panel with anodised aluminium handle and fixing material
- **TFP KG** part front panel with plastic-handle, anodised insert strip and fixing material
- **TFP KG ... only 3-8 and 10-14**
- part front panel clear anodised
- **HP** = width unit = 5,08; **U** = height unit = 44,45

C

D

E

F

G

H

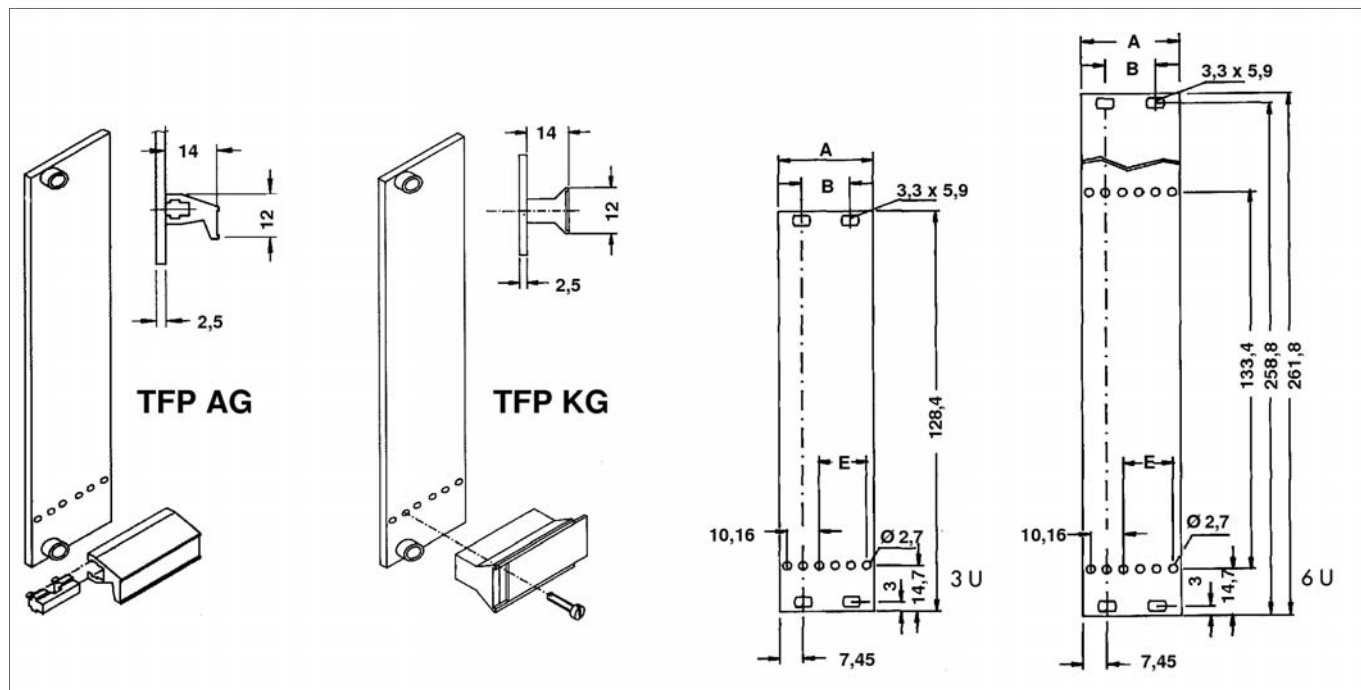
I

K

L

M

N



art. no.	HP	dim. [mm]		
		A	B	E
TFP ... 3 ...	3	14.9	–	–
TFP ... 4 ...	4	20.0	–	5.08
TFP ... 5 ...	5	25.1	–	10.16
TFP ... 6 ...	6	30.2	–	15.24
TFP ... 7 ...	7	35.3	–	20.32
TFP ... 8 ...	8	40.3	–	25.40
TFP ... 9 ...	9	45.4	–	30.50
TFP ... 10 ...	10	50.5	35.6	35.60
TFP ... 12 ...	12	60.7	45.7	45.70
TFP ... 14 ...	14	70.8	55.9	55.90
TFP ... 16 ...	16	81.0	66.0	66.00
TFP ... 18 ...	18	91.1	76.2	76.20
TFP ... 20 ...	20	101.3	86.4	86.40
TFP ... 21 ...	21	106.4	91.4	91.40
TFP ... 24 ...	24	121.6	106.7	106.70
TFP ... 28 ...	28	141.9	127.0	127.00

please indicate:

... part front panel (optional)
OG=without handle with handle
 perforation

AG=with anodised aluminium handle
 and fixing material

KG=with plastic-handle, anodised insert
 strip and fixing material

... metal nipples (optional)
MN 2=press-in

... height unit
3=3 U
6=6 U

N 59

Part front panels with handle → N 59
 Part front panels with PCB holder → N 60 – 61
 Part front panels with SMD-brackets → N 63
 Insert modules → N 41 – 52

Handles for part front panels → N 67
 Extractor for part front panels → N 66
 Part front panels for EMC-applicat. → N 39 – 40
 Profiles for 19" front panels → N 78 – 79

X-ON Electronics

Largest Supplier of Electrical and Electronic Components

Click to view similar products for [fisher manufacturer](#):

Other Similar products are found below :

[FR 105 52 220 ME](#) [FR 120 42 200 ME](#) [GEL 28 30](#) [GEL 45 10](#) [GEL 45 50](#) [GEL 60 10](#) [AKG 33 20 80 ME](#) [AKG 69 24 100 ME](#) [BL 16 SMD](#)
[067 12](#) [ICKSR40X30](#) [LA 17 150 230](#) [LA 21 150 230](#) [LA 21 150 24](#) [LA 27 K 100 12](#) [LA 27 K 100 24](#) [LA 27 K 150 12](#) [LA 27 K 50 24](#)
[SK4615AL](#) [SK 47 250 SA](#) [SK56920AL](#) [SK57225SA](#) [SK57720AL](#) [SK58420AL](#) [SK58437.5SA](#) [SK 622 1000 AL](#) [SK 622 1000 SA](#) [SK 622](#)
[100 AL](#) [SK 623 100 SA](#) [SK 626 1000 SA](#) [SK 627 1000 AL](#) [SK 627 200 AL](#) [SK 627 200 SA](#) [SK 627 50 SA](#) [SK 632 100 AL](#) [SK 633 25 AL](#)
[SK 636 100 AL](#) [SK LED R 65 SA](#) [SK LED R 80 SA](#) [AKG 69 24 100 SA](#) [AKG 69 24 50 SA](#) [FR 80 42 160 ME](#) [GE K 80 42 100 SA](#) [GEL 10](#)
[GEL 45 30](#) [GEL 60 25](#) [GEL F 15 10](#) [TUF 120 42 220 ME](#) [TUF 55 16 200 SA](#) [LA 27 K 50 12](#) [LA 27 K 75 12](#)