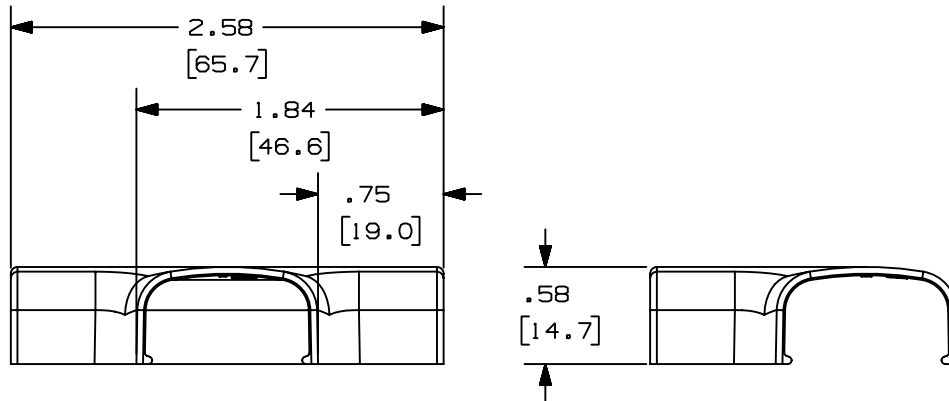
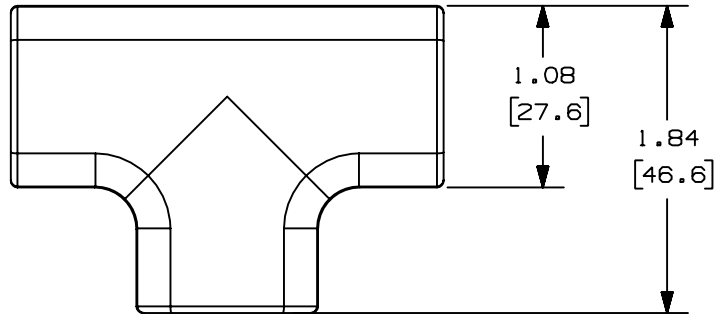


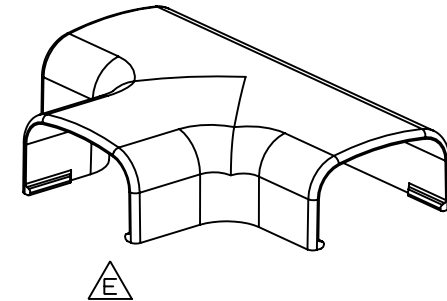
THIS COPY IS PROVIDED ON A RESTRICTED BASIS AND IS NOT TO BE USED IN ANY WAY DETRIMENTAL TO THE INTERESTS OF PANDUIT CORP.



$\triangle B$	PANDUIT P/N	WEIGHT
$\triangle C$	TF5	1.29 LB/100 PCS. (584g/100 PCS.)

$\triangle D$  NOTES:

1. SEE CURRENT CATALOG FOR ADDITIONAL PART NUMBER SUFFIXES TO INDICATE COLOR AND OR PACKAGE QUANTITY.
2. DIMENSIONS IN PARENTHESIS ARE IN METRIC.



CAD FILENAME/LAYERS		D34474BE_DC_TF5_01.prt	
PANDUIT		CORP. TINLEY PARK, ILLINOIS	
TEE FITTING		(TF5)	
CUSTOMER DRAWING		UNLESS OTHERWISE SPECIFIED, DIMENSIONAL TOLERANCES ARE: (.X) ± (.XXX) ± (.XX) ± .03 (.8) ANGLES ±	
UNLESS OTHERWISE SPECIFIED, ALL DIMENSIONS ARE GIVEN IN INCHES, THIRD ANGLE PROJECTION.		SCALE FULL	
DRAWN BY	RS	MAT'L:	ABS $\triangle F$
DATE	8-8-84		
CHK'D	HP		
DRAWING NO.	SS-19158	DWG	A
SIZE			

REV	DATE	BY	CHK	DESCRIPTION	ECN	R	CUST	SUP
6	7-8-02	JHN	RMHI	F. REVISED MATERIAL IN DRAWING TITLE BLOCK.	19158	RGRC	RGRC	
5	8-28-00	MSO	HIW	E. REVISED AND REDRAWN ON CAD.	19158	HIW	HIW	
4	10-3-91	DW	CF	D. REVISED NOTE AND REMOVED COLOR FROM DRAWING.	19158		CF	
3	2-28-91	DW	CF	C. REVISED COLORS: OMIT BG, LI, LG. ADDED INT. WHITE AND INT. GRAY.	19158		WJB	
2	12-2-87	LDB	WJB	B. ADDED PART NUMBERS TF5E1 AND TF5LI.	19158		WJB	
1	10-1-84	CEW	HP	A. POLYSTYRENE WAS ABS.	19158		AJC	
R	8-14-84	RS	HP	DRAWING RELEASED	19158			

## X-ON Electronics

Largest Supplier of Electrical and Electronic Components

*Click to view similar products for [Wire Ducting](#) category:*

*Click to view products by [Panduit](#) manufacturer:*

Other Similar products are found below :

[66200A-10](#) [CVED32VEPG](#) [CVED40VEPG](#) [F512D5-5F140Y](#) [F512D5-5F200Y](#) [F512D5-5F26Y](#) [F512D5-5F30Y](#) [F512D5-5F33Y](#) [F512D5-5F34Y](#) [F512D5-5F45Y](#) [F512D5-5F50Y](#) [F512D5-5F54Y](#) [F512D5-5F66Y](#) [F512D5-5F70Y](#) [F512D5-5F75Y](#) [F512D5-5F90Y](#) [F612D5-5F100Y](#) [F612D5-5F130Y](#) [F612D5-5F50Y](#) [F612D5-5F56Y](#) [F612D5-5F58Y](#) [F6L12D5-5F46](#) [F912D5-5F11Y](#) [F912D5-5F170Y](#) [F912D5-5F175Y](#) [F912D5-5F230Y](#) [F912D5-5F300Y](#) [F912D5-5F55Y](#) [F912D5-5F56Y](#) [F912D5-5F63Y](#) [F912D5-5F6Y](#) [F912D5-5F75Y](#) [F912D5-5F85Y](#) [F912D5-5F86Y](#) [F912D5-5F88Y](#) [F912D5-5F96Y](#) [FAP0047WBLMTP](#) [FAP12WBRDRDDLZ](#) [FAP12WDYLYLDLZ](#) [FAP12WEORORDLZ](#) [FAP6WEORORDLZ](#) [FAP6WFDBDBDLZ](#) [FAP8WEORORDLZ](#) [FCE2UWCL](#) [800A-LB](#) [802A-ECSP](#) [802I-ICSP](#) [FJQADH](#) [FJQFXT](#) [PED10](#)