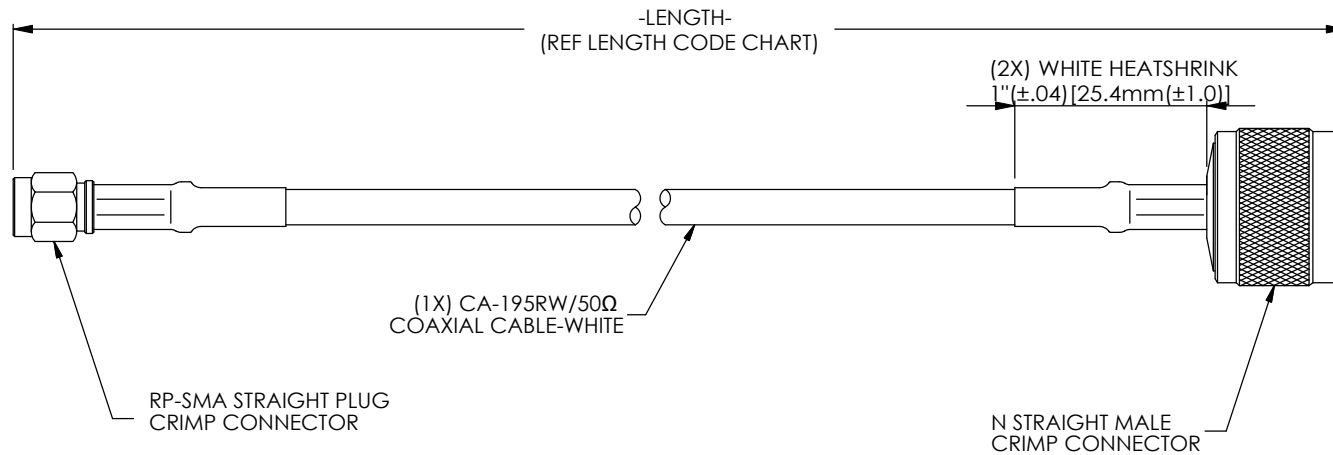


THE INFORMATION CONTAINED IN THIS DRAWING IS THE SOLE PROPERTY OF L-COM, INC. ANY REPRODUCTION IN PART OR WHOLE WITHOUT THE WRITTEN PERMISSION OF L-COM, INC. IS PROHIBITED.

REVISIONS			
REV	DESCRIPTION	DATE	APPROVED
A	Initial Release	2/11/10	B.Puchaski



LENGTH CODE CHART		
CABLE# & LENGTH	LENGTH SYMBOL	EXAMPLES OF PART# USED
<u>CA-RSPNMBXXX</u>	WHERE XXX = LENGTH IN FEET	CA-RSPNMB010 (10 FEET)
<u>CA-RSPNMBNXX</u>	WHERE NXX = LENGTH IN INCHES	CA-RSPNMBN16 (16 INCHES)
<u>CA-RSPNMBMXX</u>	WHERE MXX = LENGTH IN METERS	CA-RSPNMBM07 (7 METERS)
<u>CA-RSPNMBXMX</u>	WHERE XMX = LENGTH IN DECIMEL METERS	CA-RSPNMB3M5 (3.5 METERS)

NOTES:

1. CABLE ASSEMBLY SHALL BE TESTED FOR CONTINUITY
2. CABLE ASSEMBLY SHALL RECIEVE INSERTION LOSS TEST#TP-00027
3. CABLE ASSEMBLY SHALL WITHSTAND PULL TEST OF 40lbs WITHOUT ANY SEPERATION OR ELECTRICAL FAILURE
4. CABLE SHALL BE RoHS COMPLIANT
5. CABLE ASSEMBLY SHALL BE INDIVIDUALLY PACKAGED IN ACCORDANCE WITH L-COM SPECIFICATION PS-0031
6. CENTER PIN OF CONNECTORS TO BE SOLDERED OR CRIMPED ONTO CABLE INNER CONDUCTOR

UNLESS OTHERWISE SPECIFIED, DIMENSIONS ARE IN INCHES [mm] OVERALL CABLE LENGTH TOLERANCE: ≤ 12 [305] = +1 [25] / -0 >12 [305] ≤ 60 [1524] = +2 [51] / -0 >60 [1524] ≤ 120 [3048] = +4 [102] / -0 >120 [3048] ≤ 300 [7620] = +6 [152] / -0 >300 [7620] = +3% / -0% ALL OTHER DIMENSIONAL TOLERANCES: .X = ±.2 .XX = ±.02 .XXX = ±.005 PROJECTION 	APPROVALS DRAWN BY B.Puchaski	DATE 02/11/10	45 BEECHWOOD DRIVE NORTH ANDOVER, MA 01845	
	CHECKED BY M.Audas	DATE 02/11/10		CATEGORY COAXIAL
	APPROVED BY M.Audas	DATE 02/11/10	PRODUCT DESCRIPTION Fabrication: White CA-195RW Series RP-SMA Plug To N-Male Assembly w/Heatshrink	
	CONFIGURATION DETAILS OF UNDIMENSIONED FEATURES MAY VARY COLOR VARIATIONS MAY OCCUR	SIZE A	FSCM NO. 43321	DWG. NO. CA-RSPNMB
SCALE: NONE		CAD FILE: CA-RSPNMB.SLDDRW		SHEET 1 OF 1

X-ON Electronics

Largest Supplier of Electrical and Electronic Components

Click to view similar products for [l-com manufacturer](#):

Other Similar products are found below :

[FOA-550A](#) [UMC-201](#) [CSMN50MF-5](#) [CSMNB15MF-15](#) [TRD815RA2BL-5](#) [CA3N050](#) [CA3A-90DA-1M](#) [CTLF3VGAMM-20](#) [HDCAMM-3](#)
[U3A00014-03M](#) [ECF-SK-25](#) [CSMT15MF-10](#) [CSMT15MM-15](#) [CSMT15MM-25](#) [CSPL15MF-50](#) [CSPL25MF-25](#) [CSPL9MF-10](#) [CSPL9MF-](#)
[5](#) [CSPL25MF-5](#) [CSPL25MF-2.5](#) [AL-IPEPS](#) [NB201611-10F-1](#) [TDG1026KC5-MNL](#) [NB121005-10F](#) [TRD855SRA6DBL-10M](#)
[TRD855SRA7DBL-1M](#) [TRD855SRA7DBL-10M](#) [PR175SCDLCQ24](#) [TRG508-T4T-3M](#) [TRA5261-15F](#) [TRA5261S-1F](#) [TRA6261-1F](#)
[USBBFT](#) [DGB25M](#) [CASATAL-18](#) [CSM25MM-10](#) [CSM37MF-10](#) [CSUSB-100](#) [CA3A-90RA-1M](#) [CA3A-90RMICB-1M](#) [U2A00003-3M](#)
[U3A00003-05M](#) [U2A00008-12I](#) [U3A00007-075M](#) [U3A00007-1M](#) [CSMT15MF-5](#) [CSMT15MM-50](#) [CSPL15MF-25](#) [LPXT-WP-PMT](#)
[CSMT15MF-50](#)