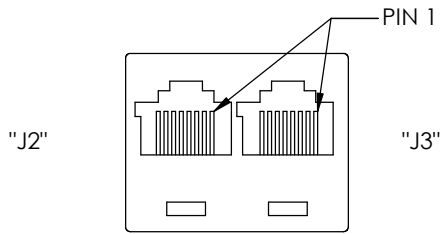
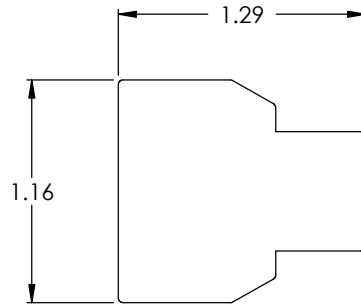
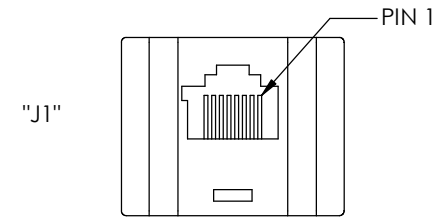
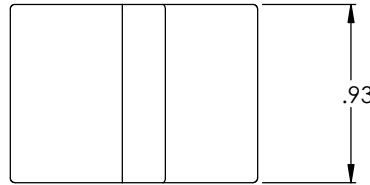


THE INFORMATION CONTAINED IN THIS DRAWING IS THE SOLE PROPERTY OF L-COM, INC.. ANY REPRODUCTION IN PART OR WHOLE WITHOUT THE WRITTEN PERMISSION OF L-COM, INC. IS PROHIBITED.

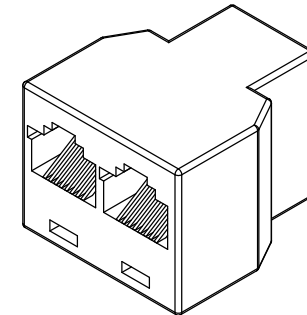
REVISIONS			
REV	DESCRIPTION	DATE	APPROVED
A	RELEASED FOR PRODUCTION	3/28/01	DFP
B	REVISED PER ECN 1103	4/5/02	DFP
C	ECN1629: ADDED COMPONENT SPECIFICATION TABLE	12/31/03	DFP



2X RJ45K JACKS  
(8X8)



RJ45K JACK  
(8X8)



Component Specification	
<b>Material</b>	
Housing	ABS, UL94V-0 compliant, Color: Ivory
Contacts	Phosphor Bronze
Contact Plating	Gold, 30 micches over nickel plating
<b>Design</b>	
Jack	Compliant to mechanical requirements of FCC 68.5 Subpart F
<b>Electrical</b>	
1.5	2 Amp (max)
Dielectric withstanding Voltage	100Vrms, 60Hz, 1 minute
Insulation Resistance	10 M ohms
<b>Environmental</b>	
Operating Temperature Range	0°C to +60°C
Humidity	5 to 95% non-condensing
<b>Application</b>	
Rating	Category 3
Wiring	Straight-through
Insertion/Extraction Life	1000 Cycles

CS-193

WIRING CHART		
"J1"	"J2"	"J3"
1	1	1
2	2	2
3	3	3
4	4	4
5	5	5
6	6	6
7	7	7
8	8	8

UNLESS OTHERWISE SPECIFIED,  
DIMENSIONS ARE IN INCHES  
TOLERANCES ARE:  
.X ±.1  
.XX ±.05  
.XXX ±.005  
CABLE LENGTH TOLERANCE  
<300" ±5% >300" ±2%

APPROVALS	DATE
DRAWN BY D. PARHAM	3/8/2001
CHECKED BY T. CLARK	3/21/2001
APPROVED BY C. McCORMICK	3/27/2001

CONFIGURATION DETAILS OF  
UNDIMENSIONED FEATURES  
MAY VARY

<b>L-com</b> CONNECTIVITY PRODUCTS		45 BEECHWOOD DRIVE NORTH ANDOVER, MA 01845	
PRODUCT DESCRIPTION RJ45 MODULAR TEE			
DRAWING TITLE OUTLINE DRAWING			
SIZE <b>A</b>	FSCM NO. <b>43321</b>	DWG. NO. TDS1039-8C-OD1	REV. <b>C</b>
SCALE: NONE		CAD FILE: TDS1039-8C-OD1.SLDDRW	SHEET 1 OF 1

## X-ON Electronics

Largest Supplier of Electrical and Electronic Components

*Click to view similar products for [Modular Connectors](#) / [Ethernet Connectors](#) category:*

*Click to view products by [L-Com](#) manufacturer:*

Other Similar products are found below :

[RJE231881317T](#) [MP1010RX-1000](#) [MP44RX-1000](#) [GAX-3-66](#) [GAX-8-62](#) [93606-0253](#) [GD-A-44](#) [GDCX-PA-66-50](#) [GDCX-PN-64](#) [GDCX-PN-66](#) [GDCX-PN-66-50](#) [GDLX-A-66](#) [GDLX-A-88](#) [GDLX-N-66](#) [GDLX-S-88K](#) [GDTX-S-88-50](#) [GDX-PA-1010](#) [GLX-N-1010M-BLK](#) [GLX-N-44M](#) [GLX-S-88M-BLK](#) [GMX-N-1010](#) [GMX-S-1010](#) [GMX-S-66](#) [GMX-SMT2-N-1010](#) [GMX-SMT2-N-64-50](#) [GMX-SMT2-S6-88](#) [GMX-SMT4-N-88](#) [GPX-2-64](#) [GRT1-BT1-5](#) [GSGX-N-2-88](#) [GSX-NS2-88-3.05](#) [GSX-NS2-88-3.05-50](#) [GSX-NS-88-3.05-30](#) [GSX-NS-88-3.05-50](#) [GSX-NS-88-3.68](#) [1-1775629-2](#) [GWLX-S-88-GR](#) [GWLX-S9-88-YG](#) [1300500326](#) [1300500227](#) [1300530003](#) [1300570002](#) [1324640-4](#) [RJ11FTVC2G](#) [RJ11FTVC2N](#) [RJFTVX2SA1G](#) [132764-001](#) [1400000](#) [1413176](#) [1413235](#)