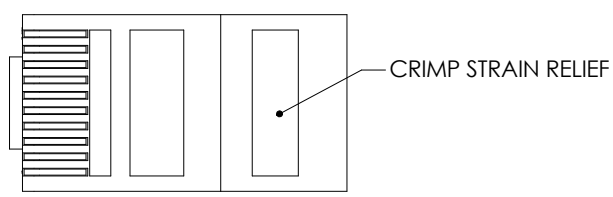
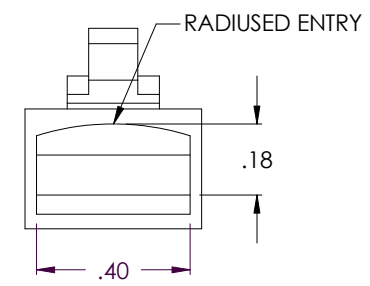
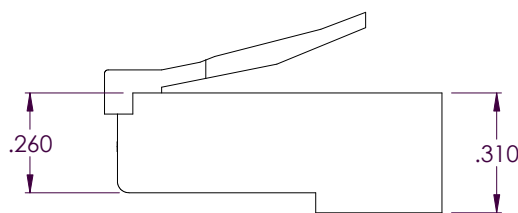
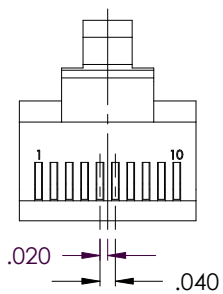
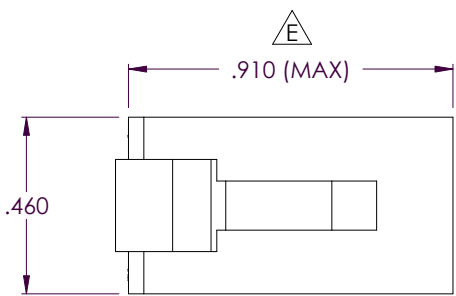
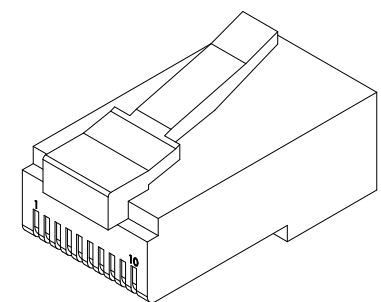


THE INFORMATION CONTAINED IN THIS DRAWING IS THE SOLE PROPERTY OF L-COM, INC. ANY REPRODUCTION IN PART OR WHOLE WITHOUT THE WRITTEN PERMISSION OF L-COM, INC. IS PROHIBITED.

REVISIONS			
REV	DESCRIPTION	DATE	APPROVED
B	ECN1530: UPDATE NOTES	10/1/03	D. PARHAM
C	ECN1618: ADDED COMPONENT SPECIFICATION TABLE	12/22/03	D. PARHAM
D	ECN#2230: ADDED REFERENCE DOCUMENTATION LINKS	10/12/05	D. PARHAM
E	ECN#2301: CHANGE DIMENSIONS FOR LOOSER TOLERANCE	01/26/06	D. PARHAM



*CONTACTS SHOWN CRIMPED



Component Specification	
Material	
Housing	UL94V-0 compliant polycarbonate Shall conform to FCC 68.5 Subpart F
Contacts	Copper Alloy
Contact Plating	15 μinches Gold
Design	
Interface (Mechanical)	Shall conform to FCC 68.5 subpart F
Electrical	
Current Rating	2A (max)
Voltage Rating	250 VAC (max)
Insulation Resistance	500 MΩ (min)
Mechanical	
Conductor acceptance	24 to 26 AWG
Maximum Conductor OD	.038"
Conductor Type	Stranded or Solid
Contact Style	Two prong
Environmental	
Operating Temperature Range	-40°C to +125°C

CS-178

REFERENCE THE FOLLOWING DOCUMENTS:
[TERMINATION INSTRUCTIONS LTI-014 \(ROUND CABLE\)](#)
[TERMINATION INSTRUCTIONS LTI-017 \(FLAT CABLE\)](#)
[TOOLING INFORMATION LCT-002](#)
[LCT-003 \(PROPRIETARY\)](#)

UNLESS OTHERWISE SPECIFIED,
 DIMENSIONS ARE IN INCHES
 TOLERANCES ARE:
 X ±.1
 XX ±.05
 XXX ±.005
 CABLE LENGTH TOLERANCE
 <300" ±5% >300" ±2%

APPROVALS	DATE
DRAWN BY D. PARHAM	3/29/2002
CHECKED BY T. CLARK	3/29/2002
APPROVED BY C. McCORMICK	3/29/2002

CONFIGURATION DETAILS OF
 UNDIMENSIONED FEATURES
 MAY VARY

L-com CONNECTIVITY PRODUCTS		45 BEECHWOOD DRIVE NORTH ANDOVER, MA 01845	
PRODUCT DESCRIPTION PLUG, RJ45(10X10)ROUND CABLE			
DRAWING TITLE OUTLINE DRAWING			
SIZE A	FSCM NO. 43321	DWG. NO. TDR10P10C-OD1	REV. E
SCALE: NONE		CAD FILE: TDR10P10C-OD1.SLDDRW	SHEET 1 OF 1

X-ON Electronics

Largest Supplier of Electrical and Electronic Components

Click to view similar products for [Modular Connectors / Ethernet Connectors](#) category:

Click to view products by [L-Com](#) manufacturer:

Other Similar products are found below :

[RJE231881317T](#) [MP1010RX-1000](#) [MP44RX-1000](#) [GAX-3-66](#) [GAX-8-62](#) [93606-0253](#) [GD-A-44](#) [GDCX-PA-66-50](#) [GDCX-PN-64](#) [GDCX-PN-66](#) [GDCX-PN-66-50](#) [GDLX-A-66](#) [GDLX-A-88](#) [GDLX-N-66](#) [GDLX-S-88K](#) [GDTX-S-88-50](#) [GDX-PA-1010](#) [GLX-N-1010M-BLK](#) [GLX-N-44M](#) [GLX-S-88M-BLK](#) [GMX-N-1010](#) [GMX-S-1010](#) [GMX-S-66](#) [GMX-SMT2-N-1010](#) [GMX-SMT2-N-64-50](#) [GMX-SMT2-S6-88](#) [GMX-SMT4-N-88](#) [GPX-2-64](#) [GRT1-BT1-5](#) [GSGX-N-2-88](#) [GSX-NS2-88-3.05](#) [GSX-NS2-88-3.05-50](#) [GSX-NS-88-3.05-30](#) [GSX-NS-88-3.05-50](#) [GSX-NS-88-3.68](#) [1-1775629-2](#) [GWLX-S-88-GR](#) [GWLX-S9-88-YG](#) [1300500326](#) [1300500227](#) [1300530003](#) [1300570002](#) [1324640-4](#) [RJ11FTVC2G](#) [RJ11FTVC2N](#) [RJFTVX2SA1G](#) [132764-001](#) [1400000](#) [1413176](#) [1413235](#)