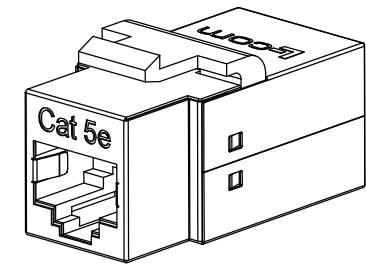
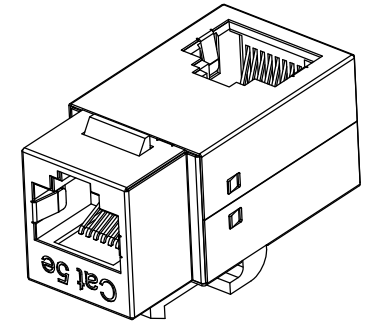
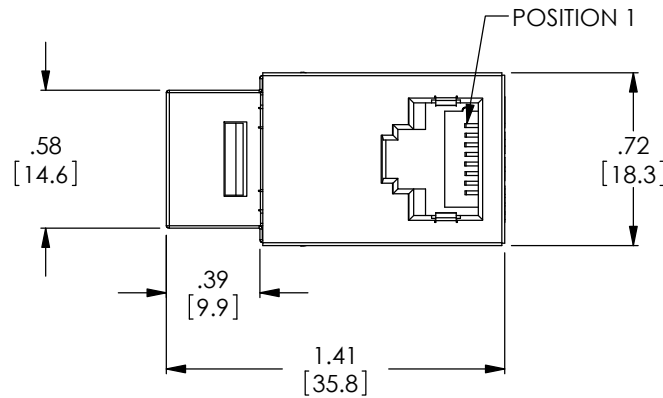
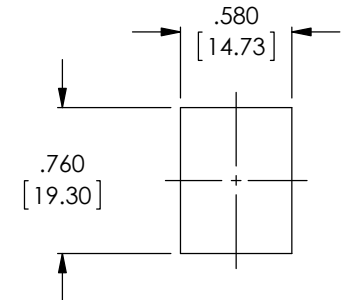
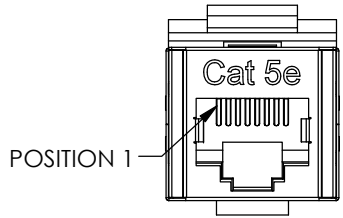
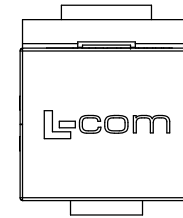
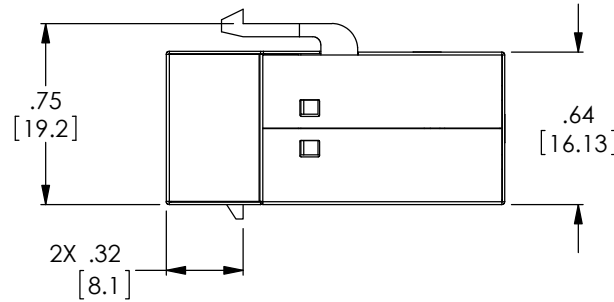
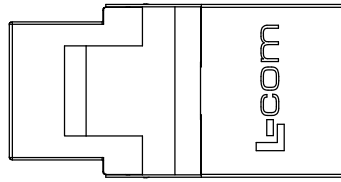


THE INFORMATION CONTAINED IN THIS DRAWING IS THE SOLE PROPERTY OF L-COM, INC. ANY REPRODUCTION IN PART OR WHOLE WITHOUT THE WRITTEN PERMISSION OF L-COM, INC. IS PROHIBITED.

| REVISIONS | | | |
|-----------|--|---------|--------------|
| REV | DESCRIPTION | DATE | APPROVED |
| D | ECN 6881: REVISED PANEL OPENING. UPDATED COMPLIANCE NOTE | 6/17/13 | D. DESJARDIN |
| | | | |
| | | | |



NOTES:

1. RATING: CATEGORY 5E
2. COUPLER IS WIRED STRAIGHT THROUGH
3. JACKS CONFORM TO TIA-1096
4. HOUSING: ABS, UL94V-0 RATED, COLOR: BLACK
5. SHIELDING: NICKEL PLATED
6. CONTACT PLATING: 30μINCHES GOLD

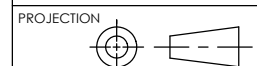
7. COMPONENT SHALL BE INDIVIDUALLY PACKAGED IN ACCORDANCE WITH L-COM SPECIFICATION PS-0031.

8. ALL DIMENSIONS ARE FOR REFERENCE ONLY.

REGULATORY COMPLIANCE:
ROHS, CE

UNLESS OTHERWISE SPECIFIED,
DIMENSIONS ARE IN INCHES [mm]
OVERALL CABLE LENGTH TOLERANCE:
≤12 [305] = +1 [25] / -0
>12 [305] ≤60 [1524] = +2 [51] / -0
>60 [1524] ≤120 [3048] = +4 [102] / -0
>120 [3048] ≤300 [7620] = +6 [152] / -0
>300 [7620] = +3% / -0%

ALL OTHER DIMENSIONAL TOLERANCES:
.X = ±.2
.XX = ±.05
.XXX = ±.005



| APPROVALS | DATE |
|--------------------------|------------|
| DRAWN BY D. PARHAM | 12/14/2009 |
| CHECKED BY D. CASTRO | 12/17/2009 |
| APPROVED BY P. MCNEIL | 12/17/2009 |

CONFIGURATION DETAILS OF UNDIMENSIONED FEATURES MAY VARY

COLOR VARIATIONS MAY OCCUR

L-com Global Connectivity 45 BEECHWOOD DRIVE NORTH ANDOVER, MA 01845

CATEGORY
TELECOM / MODULAR

PRODUCT DESCRIPTION
CPLR RJ45 F-F CAT5E SHIELDED

| SIZE | FSCM NO. | DWG. NO. | REV. |
|----------|--------------|-----------------------|----------|
| A | 43321 | TDG1026KCS-R5E | D |

SCALE: NONE CAD FILE: TDG1026KCS-R5E.SLDDRW SHEET 1 OF 1

X-ON Electronics

Largest Supplier of Electrical and Electronic Components

Click to view similar products for [Modular Connectors](#) / [Ethernet Connectors](#) category:

Click to view products by [L-Com](#) manufacturer:

Other Similar products are found below :

[RJE231881317T](#) [MP1010RX-1000](#) [MP44RX-1000](#) [GAX-3-66](#) [GAX-8-62](#) [93606-0253](#) [GD-A-44](#) [GDCX-PA-66-50](#) [GDCX-PN-64](#) [GDCX-PN-66](#) [GDCX-PN-66-50](#) [GDLX-A-66](#) [GDLX-A-88](#) [GDLX-N-66](#) [GDLX-S-88K](#) [GDTX-S-88-50](#) [GDX-PA-1010](#) [GLX-N-1010M-BLK](#) [GLX-N-44M](#) [GLX-S-88M-BLK](#) [GMX-N-1010](#) [GMX-S-1010](#) [GMX-S-66](#) [GMX-SMT2-N-1010](#) [GMX-SMT2-N-64-50](#) [GMX-SMT2-S6-88](#) [GMX-SMT4-N-88](#) [GPX-2-64](#) [GRT1-BT1-5](#) [GSGX-N-2-88](#) [GSX-NS2-88-3.05](#) [GSX-NS2-88-3.05-50](#) [GSX-NS-88-3.05-30](#) [GSX-NS-88-3.05-50](#) [GSX-NS-88-3.68](#) [1-1775629-2](#) [GWLX-S-88-GR](#) [GWLX-S9-88-YG](#) [1300500326](#) [1300500227](#) [1300530003](#) [1300570002](#) [1324640-4](#) [RJ11FTVC2G](#) [RJ11FTVC2N](#) [RJFTVX2SA1G](#) [132764-001](#) [1400000](#) [1413176](#) [1413235](#)