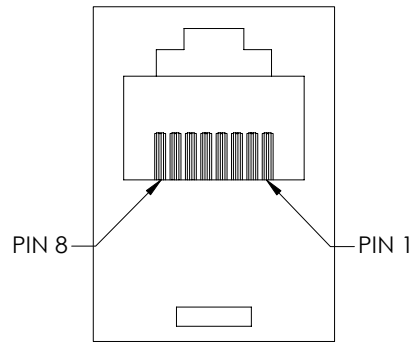
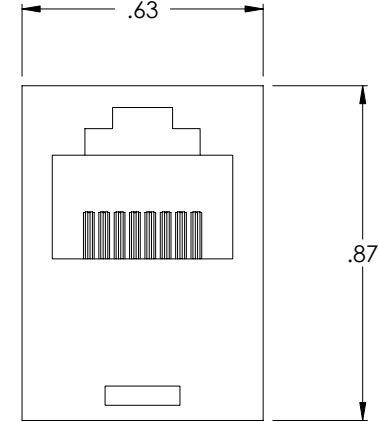
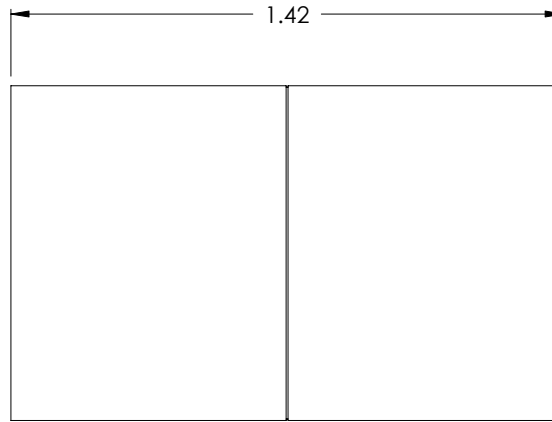


THE INFORMATION CONTAINED IN THIS DRAWING IS THE SOLE PROPERTY OF L-COM, INC. ANY REPRODUCTION IN PART OR WHOLE WITHOUT THE WRITTEN PERMISSION OF L-COM, INC. IS PROHIBITED.

REVISIONS			
REV	DESCRIPTION	DATE	APPROVED
A	RELEASED FOR PRODUCTION	10/10/01	TJC
B	ADDED PRODUCT VALIDATION. DELETED METRIC DIMENSIONS (ECN1313)	03/07/03	DFP
.	.	.	.
.	.	.	.



RJ45 JACK
(8 X 8)



RJ45 JACK
(8 X 8)

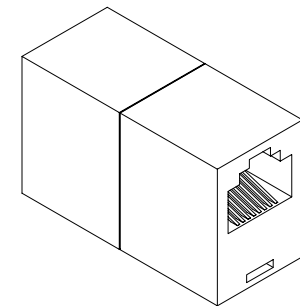
SPECIFICATIONS;
MEETS REQUIREMENTS OF FCC PART 68.5
UL94V-0 COMPLIANT
CSA CERTIFIED: CUL
CATEGORY 3 RATED

MATERIALS;
HOUSING: ABS
COLOR: IVORY
CONTACTS: PHOSPHOR BRONZE
CONTACT PLATING: 1.5 μINCHES GOLD OVER NICKEL

ELECTRICAL;
CURRENT RATING: 1.5 AMP MAX
VOLTAGE RATING: 1000 VOLTS

ENVIRONMENTAL;
OPERATING TEMPERATURE RANGE: 0°C TO 60°C

APPLICATION:
FEED THROUGH COUPLER



UNLESS OTHERWISE SPECIFIED,
DIMENSIONS ARE IN INCHES
TOLERANCES ARE:
.X ±.1
.XX ±.05
.XXX ±.005
CABLE LENGTH TOLERANCE
<300' ±5% >300' ±2%

APPROVALS	DATE
DRAWN	
TJC	10/2/01
CHECKED	
DFP	10/4/01
APPROVED BY	
RC	10/9/01

CONFIGURATION DETAILS OF
UNDIMENSIONED FEATURES
MAY VARY

L-com
CONNECTIVITY
PRODUCTS
45 BEECHWOOD DRIVE
NORTH ANDOVER, MA
01845

PRODUCT DESCRIPTION
MODULAR ADAPTOR (RJ45)

DRAWING TITLE
OUTLINE DRAWING

SIZE	FSCM NO.	DWG. NO.	REV.
A	43321	TDG1026-8C-OD1	B
SCALE 1:1	CAD FILE: TDG1026-8C-OD1.SLDDRW	SHEET 1	OF 1

X-ON Electronics

Largest Supplier of Electrical and Electronic Components

Click to view similar products for [Modular Connectors](#) / [Ethernet Connectors](#) category:

Click to view products by [L-Com](#) manufacturer:

Other Similar products are found below :

[RJE231881317T](#) [MP1010RX-1000](#) [MP44RX-1000](#) [GAX-3-66](#) [GAX-8-62](#) [93606-0253](#) [GD-A-44](#) [GDCX-PA-66-50](#) [GDCX-PN-64](#) [GDCX-PN-66](#) [GDCX-PN-66-50](#) [GDLX-A-66](#) [GDLX-A-88](#) [GDLX-N-66](#) [GDLX-S-88K](#) [GDTX-S-88-50](#) [GDX-PA-1010](#) [GLX-N-1010M-BLK](#) [GLX-N-44M](#) [GLX-S-88M-BLK](#) [GMX-N-1010](#) [GMX-S-1010](#) [GMX-S-66](#) [GMX-SMT2-N-1010](#) [GMX-SMT2-N-64-50](#) [GMX-SMT2-S6-88](#) [GMX-SMT4-N-88](#) [GPX-2-64](#) [GRT1-BT1-5](#) [GSGX-N-2-88](#) [GSX-NS2-88-3.05](#) [GSX-NS2-88-3.05-50](#) [GSX-NS-88-3.05-30](#) [GSX-NS-88-3.05-50](#) [GSX-NS-88-3.68](#) [1-1775629-2](#) [GWLX-S-88-GR](#) [GWLX-S9-88-YG](#) [1300500326](#) [1300500227](#) [1300530003](#) [1300570002](#) [1324640-4](#) [RJ11FTVC2G](#) [RJ11FTVC2N](#) [RJFTVX2SA1G](#) [132764-001](#) [1400000](#) [1413176](#) [1413235](#)