

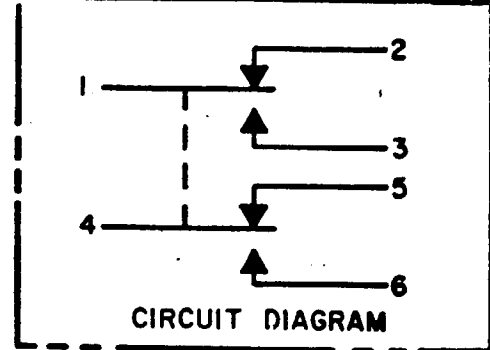
MICRO SWITCH

FREEPORT, ILLINOIS, U.S.A.
A DIVISION OF HONEYWELL

FED. MFG. CODE 91929

SWITCH-ENCLOSED

CATALOG LISTING
822EN53-6



M 822EN53-6

DRAWING NUMBER

ISSUE 14

REVISIONS

A	CO44351	WJM	23 JUN 80
B	CO47573 PART 4	R J H	18 AUG 80
C	CO49806	D J W	25 SEPT 81
D	CO 57370	M A M	15 MAY 85
E	0040541	NR	12 JUN 08

CHECK

12 JUN 08

CMH

CHECK

23 JUN 80

DRAWN

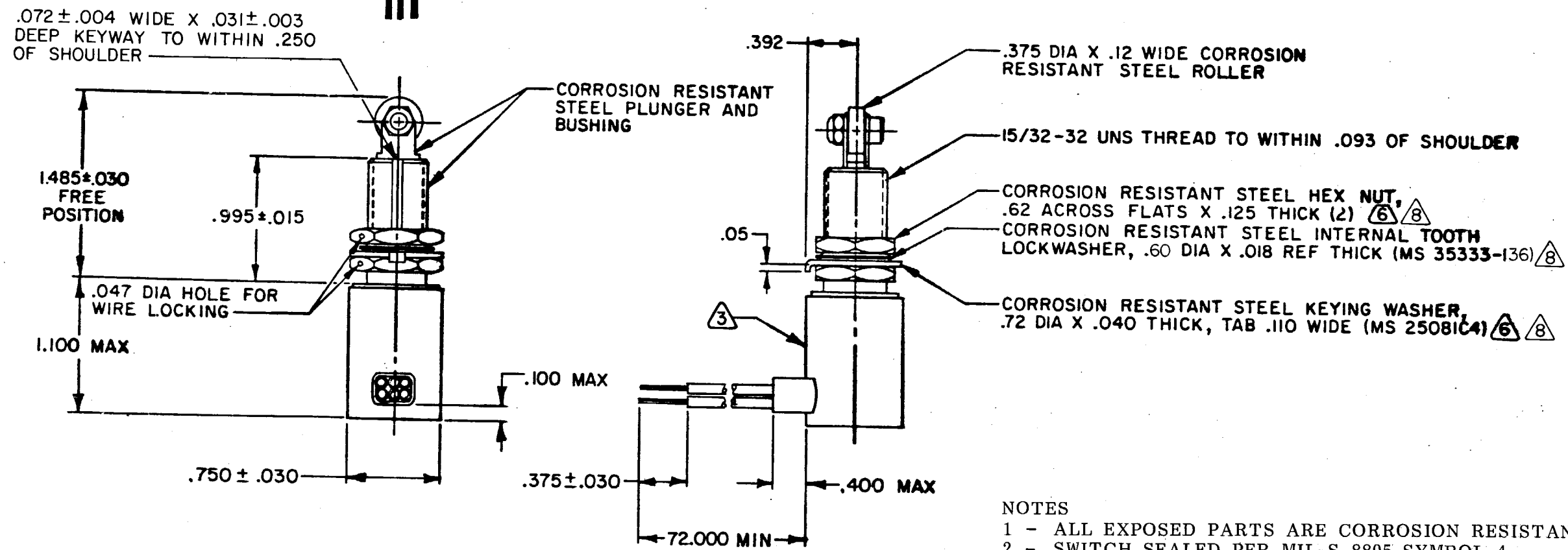
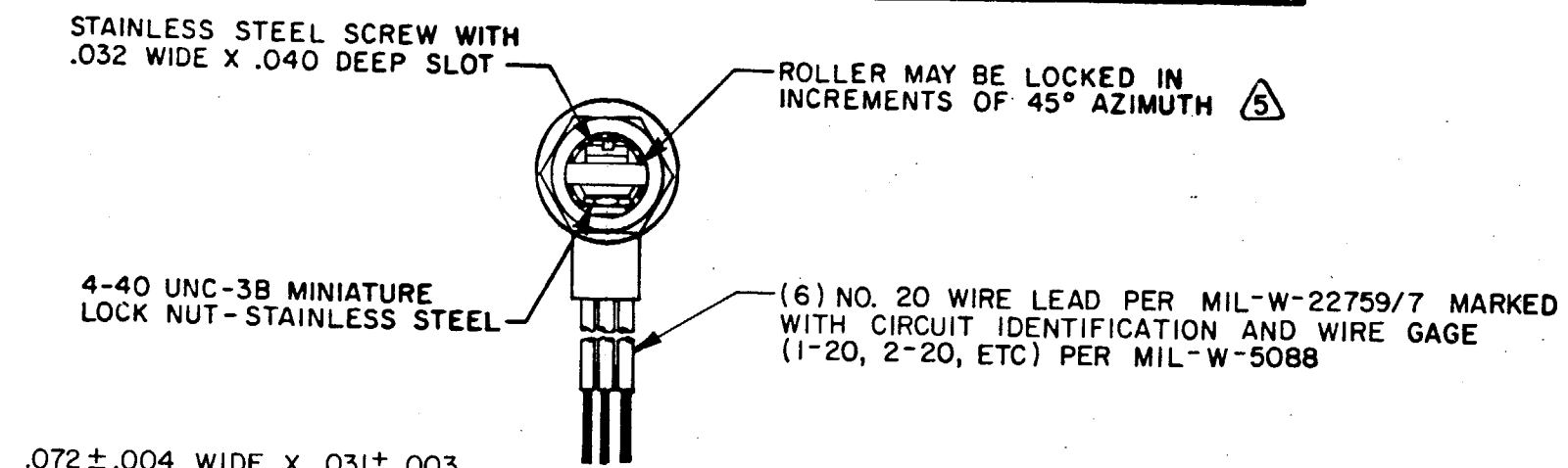
WJM

FO-2281-B

RELEASE NO. PR-3802

CHECK

CHECK



- NOTES
- 1 - ALL EXPOSED PARTS ARE CORROSION RESISTANT
 - 2 - SWITCH SEALED PER MIL-S-8805 SYMBOL 4
 - ③ CATALOG LISTING, CIRCUIT IDENTIFICATION, AND CUSTOMER PART NO. 5M1035-10 PERMANENTLY MARKED ON SIDE OF SWITCH
 - 4 - COINCIDENCE OF OPERATING AND RELEASING POINTS: .010 OF PLUNGER TRAVEL
 - ⑤ TO ADJUST ROLLER DIRECTION, REMOVE LOCK NUT, SCREW AND ROLLER. DEPRESS PLUNGER UNTIL IT CAN BE ROTATED TO DESIRED POSITION. RETURN PLUNGER TO FREE POSITION AND REASSEMBLE ROLLER
 - ⑥ REPLACEMENT MOUNTING HARDWARE PACKET 19PA9
 - 7 - NOTED ELECTRICAL RATINGS APPLY AS SPECIFIED IN MIL-S-8805/43 UP TO 185°F
 - ⑧ - HARDWARE MAY BE PACKAGED UNASSEMBLED PER MIL-S-8805

THIS DRAWING COVERS A PROPRIETARY ITEM AND IS THE PROPERTY OF MICRO SWITCH. A DIVISION OF HONEYWELL. THIS DRAWING IS NOT TO BE COPIED OR USED WITHOUT THE APPROVAL OF MICRO SWITCH.

CHARACTERISTICS	
OPERATING FORCE	3-6 LB
FULL OVERTRAVEL FORCE	17 LB MAX
RELEASE FORCE	2 LB MIN
PRETRAVEL	.040 MAX
DIFFERENTIAL TRAVEL	.020 MAX
OVERTRAVEL	.125 MIN

ELECTRICAL DATA		
CONTACT ARRANGEMENT S P D T (2)		
LOAD	28 VDC	
RES	7	7
IND	4	2.5
MOTOR	4	
LAMP		

SCALE FULL			
DO NOT SCALE PRINT			
TOLERANCES			
APPLY TO DESIGN UNITS. CONVERSIONS ARE ONLY FOR REFERENCE. UNLESS NOTED, TOLERANCES ARE 2			
NO PLACES	DM	TOL	DM
ONE PLACE	mm	1/100	in
TWO PLACES	mm	0.001	in
THREE PLACES	mm	0.0001	in
ANGLES			
DESIGN UNITS		BY METRIC <input type="checkbox"/> US CUSTOMARY <input checked="" type="checkbox"/>	
THIRD ANGLE PROJECTION			
WEIGHT 9.5 OZ MAX			

X-ON Electronics

Largest Supplier of Electrical and Electronic Components

Click to view similar products for [Basic / Snap Action Switches](#) category:

Click to view products by [Honeywell](#) manufacturer:

Other Similar products are found below :

[83228001](#) [01.098.1358.1](#) [602EN1-6B](#) [602EN532](#) [602EN535-RB](#) [602HE5-RB1](#) [604HE162](#) [604HE223-6B](#) [624HE17-RB](#) [6HM89](#) [6PA78-JM](#)
[6SE1](#) [6SX1-H58](#) [70500840](#) [MBD5B1](#) [MBH2731](#) [73-316-0012](#) [79211759](#) [79211923](#) [79218589](#) [7AS12](#) [ML-1155](#) [ML-1376](#) [831010C3.0](#)
[831060C3.TL](#) [831090C2.EL](#) [83131904](#) [84212012](#) [8AS239](#) [8HM73-3](#) [903VB1-PG](#) [914CE1-6G](#) [PL-100](#) [11SM1077-H4](#) [11SM1077-H58](#)
[11SM1-TN107](#) [11SM405](#) [11SM703-T](#) [11SM8423-H2](#) [11SX37-T](#) [11SX48-H58](#) [11SX55-H58](#) [11SM2442-T](#) [11SM76-T](#) [11SM77-H58](#)
[11SM77-T](#) [11SM863-T](#) [11SM866](#) [11SX47-H58](#) [A7CN-1M-1-LEFT](#)