

ELECTRICAL

| | |
|--------------------------------------|---|
| Impedance | 50 Ohm constant |
| Frequency range | 0-11 GHz, 1500 V typ. |
| Voltage Rating | 1000 volts peakd |
| Dielectric Withstanding Voltage | 3000 volts RMS |
| VSWR (MIL-C-39012 Cable Connectors) | 1.35 max. 0-11 GHz |
| Other (MIL-C-39012 Cable Connectors) | Contact Resistance Center contact 1.0 milliohm Outer contact .15 milliohm Braid to Body .05 milliohm RF Leakage: — 90 dB minimum at 3 GHz Insertion loss: .15 dB maximum at 9 GHz Insulation resistance: 5000 megohms. (min.) |

NOTE: 13 lb. push required to captivate contact into connector body.

ENVIRONMENTAL

| | |
|---------------------|---|
| Temperature range | TFE -65°C to +165°C -65°C to +165°C |
| Shock | MIL-Std-202 method 213 |
| Vibration | MIL-Std-202 method 204 (test condition B) |
| Moisture Resistance | MIL-Std-202 method 106 |
| Corrosion | MIL-Std-202 method 101 (test condition B) |
| Temperature cycling | MIL-Std-202 method 102 (test condition C) |

MECHANICAL

| | |
|-----------------|---|
| Mating | 11/16-24 UNEF screw threads. Plug coupling nut has safety wire holes. |
| Cable Affixment | Crimp-crimp: hex-crimp jacket, braid, center contact per MIL-C-39012 Category D. |
| Contact | Captivated |
| Cable Retention | .155" to .189" dia. cable: 50 lbs. min. .190" to 229" dia. cable: 60 lbs. min. .230" to .249" dia. cable: 75 lbs. min. .250" dia. and larger: 90 lbs. min. |

MATERIAL

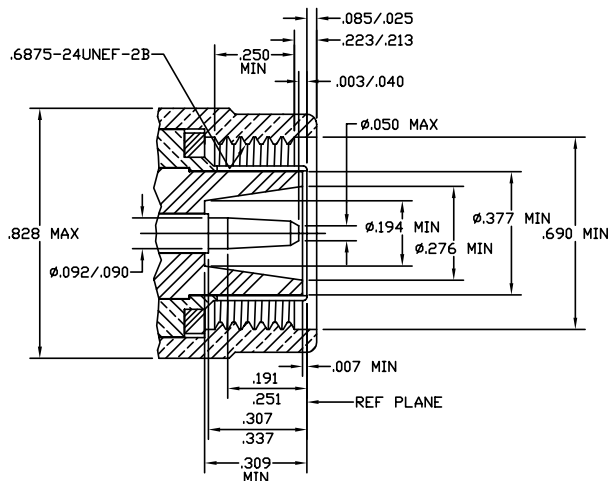
| | |
|-------------------|---|
| Contacts | Male: brass; female; beryllium copper or phosphor bronze, gold plated |
| Insulators | TFE |
| Crimp Ferrule | Copper |
| Other metal parts | Brass |

MILITARY SPECIFICATIONS

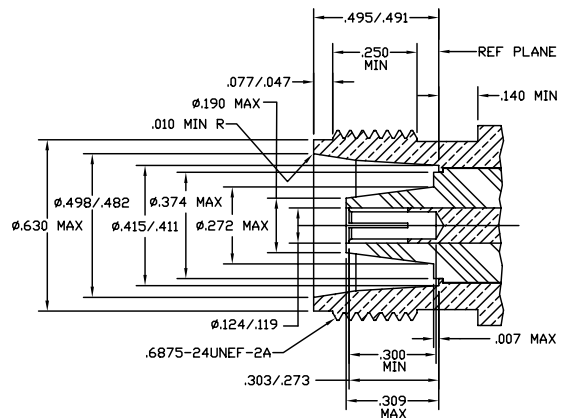
| | |
|-------------|------------------|
| MIL-C-39012 | where applicable |
|-------------|------------------|

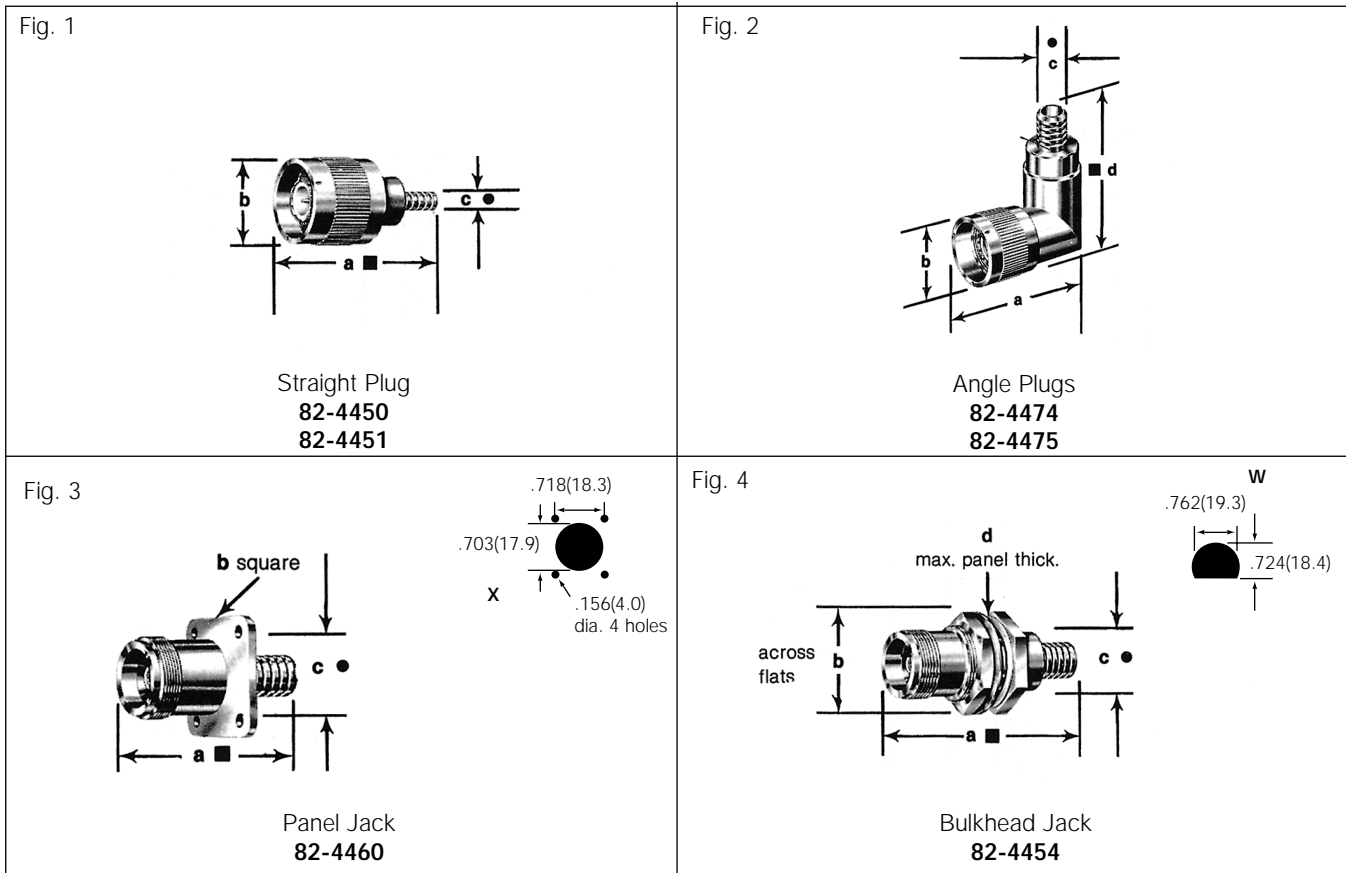
NOTE: These characteristics are typical and may not apply to all connectors.

PLUG



JACK





STRAIGHT PLUGS • Safety Wire Holes

| Cable RG-/U | Cable Termination | Dimensions, in. (mm) | | | | MTG Hole | Tool Data Die Set P/N | Construction Notes | | | Military Number | Amphenol Number | Fig |
|------------------|-------------------|----------------------|-------------|-------------|---|----------|-----------------------|--------------------|------|------|-----------------|-----------------|-----|
| | | a | b | c | d | | | CAI | Plt. | Ins. | | | |
| 9, 214, 225, 393 | crimp-crimp | 1.68 (42.9) | 1.83 (21.0) | .444 (11.3) | — | — | 227-1221-25 | C21 | P3 | D1 | M39012/35-0501 | 82-4450 | 1 |
| 142B, 400 | crimp-crimp | 1.68 (42.9) | 1.83 (21.0) | .195 (5.0) | — | — | 227-1221-57 | C21 | P3 | D1 | M39012/35-0503 | 82-4451 | 1 |

ANGLE PLUGS • Safety Wire Holes

| Cable RG-/U | Cable Termination | Dimensions, in. (mm) | | | | MTG Hole | Tool Data Die Set P/N | Construction Notes | | | Military Number | Amphenol Number | Fig |
|------------------|-------------------|----------------------|-------------|-------------|-------------|----------|-----------------------|--------------------|------|------|-----------------|-----------------|-----|
| | | a | b | c | d | | | CAI | Plt. | Ins. | | | |
| 9, 214, 225, 393 | crimp-crimp | 1.50 (38.1) | 1.83 (21.0) | .444 (11.3) | 2.12 (53.9) | — | 227-1221-25 | C21 | P3 | D1 | M39012/39-0501 | 82-4474 | 2 |
| 142B, 400 | crimp-crimp | 1.50 (38.1) | 1.83 (21.0) | .195 (5.0) | 2.12 (53.9) | — | 227-1221-57 | C21 | P3 | D1 | M39012/39-0503 | 82-4475 | 2 |

PANEL JACKS • #6-32 Flange Holes - Rear Mount

| Cable RG-/U | Cable Termination | Dimensions, in. (mm) | | | | MTG Hole | Tool Data Die Set P/N | Construction Notes | | | Military Number | Amphenol Number | Fig |
|------------------|-------------------|----------------------|-----------------|-------------|---|----------|-----------------------|--------------------|------|------|-----------------|-----------------|-----|
| | | a | b | c | d | | | CAI | Plt. | Ins. | | | |
| 9, 214, 225, 393 | crimp-crimp | 1.56 (39.7) | 1.00 (25.4) sq. | .444 (11.3) | — | X | 227-1221-25 | C21 | P3 | D1 | M39012/38-0501 | 82-4460 | 3 |

BULKHEAD JACKS • Rear Mount

| Cable RG-/U | Cable Termination | Dimensions, in. (mm) | | | | MTG Hole | Tool Data Die Set P/N | Construction Notes | | | Military Number | Amphenol Number | Fig |
|---------------|-------------------|----------------------|------------------|-------------|---|----------|-----------------------|--------------------|------|------|-----------------|-----------------|-----|
| | | a | b | c | d | | | CAI | Plt. | Ins. | | | |
| 214, 225, 393 | MIL-crimp | 1.97 (50.0) | 1.00 (25.4) hex. | .438 (11.1) | — | W | 227-1221-25 | C21 | P3 | D1 | M39012/40-0501 | 82-4454 | 4 |

X-ON Electronics

Largest Supplier of Electrical and Electronic Components

Click to view similar products for [RF Connectors / Coaxial Connectors](#) category:

Click to view products by [Amphenol](#) manufacturer:

Other Similar products are found below :

[R125315120](#) [8915-1511-000](#) [89674-0827](#) [5916-1103-603](#) [0106-001-000](#) [6-0001-3](#) [6001-7071-019](#) [6002-7051-003](#) [6002-7551-202](#) [6059674-1](#) [619550-1](#) [630059-000](#) [M39012/25-0021](#) [M39012/79-3008](#) [M39030/3-01N](#) [M39030/3-03N](#) [M3933/25-36N](#) [6500-7071-046](#) [6501-1071-002](#) [M83723/72W2457N](#) [6769](#) [CX050L2AQ](#) [7002-1541-010](#) [7002-1572-002](#) [7003-1572-002](#) [7004-1512-000](#) [7009-1511-004](#) [7010-1511-000](#) [7029-1511-060](#) [7101-1541-010](#) [7101-1571-002](#) [7105-1521-002](#) [7145-1521-002](#) [7209-1511-011](#) [7210-1511-012](#) [7210-1511-015](#) [7210-1511-019](#) [7210-1511-040](#) [7225-1512-050](#) [7242-1511-000](#) [73137-5015](#) [73251-0111](#) [73251-0672](#) [73276-1501](#) [73366-0013](#) [73404-2300](#) [73413-6080](#) [734151610](#) [73415-5721](#) [7405-1521-005](#)