

FINISH:
 Body & Center Conductor: Gold plate per ASTM B-488, over nickel under plate per AMS-QQ-N-290.

MATERIAL:
 Body: Beryllium copper alloy per ASTM B-196.
 Center Conductor: Brass alloy per ASTM B-16.
 Insulator: Insulator per AMS 3670 or ASTM D-5204.
ELECTRICAL:
 Impedance: 50 Ohms nominal.
 Frequency Range: DC to 18 GHz.
 VSWR: 1.15:1 max to 18 GHz.
 Insertion Loss: 1.0 dB max to 18 GHz.
 Working Voltage: 335 Vrms max @ sea level.
 Dielectric Withstanding Voltage: 500 Vrms min.
 R.F. Hipot Voltage: 325 Vrms min @ 5MHz.
 Corona Level: 125 Vrms @ 70,000 ft.
 Insulation Resistance: 5000 MegOhms min.
 Contact Resistance: Center Contact 6.0 Milliohm max. Outer Contact 2.0 Milliohm max.

MECHANICAL:
 Mating Characteristics: Interface per Mil-Std-348.
 Force To Engage & Disengage: Engage; Limited detent: 10.0 lbs max. Disengage; Smooth bore/Catchers mit: 2.0 lbs max. Full detent: 2.0 lbs min. Limited detent: 1.5 lbs min. Center Contact Retention: Axial Force: 1.5 pounds min. Radial Torque: NA. Connector Durability: Depend on detent.

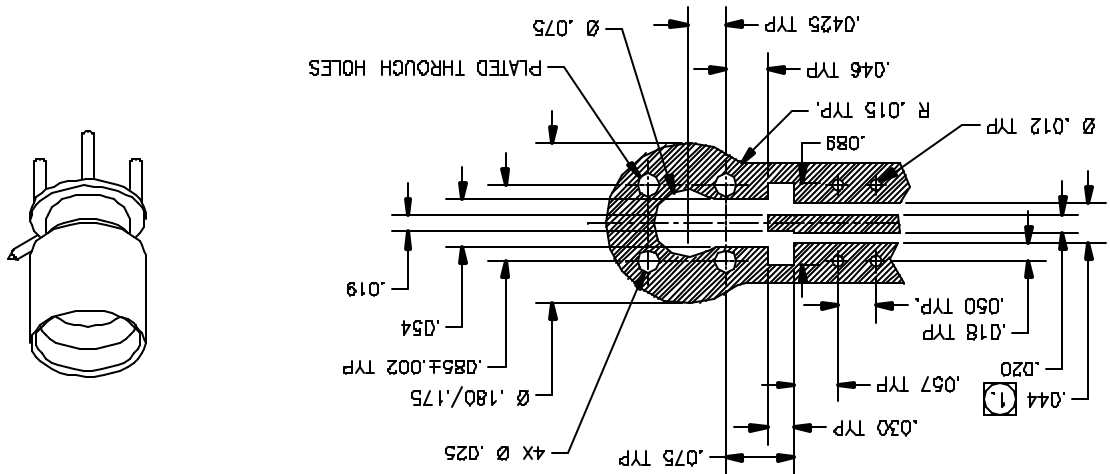
ENVIRONMENTAL:
 Temperature Range: -65°C to +165°C.
 Thermal Shock: Mil-Std-202, Method 107, Test Cond. B.
 Moisture Resistance: Mil-Std-202, Method 106, except step 7b shall be omitted. Insulation resistance at least 1000 MegOhms within 5 minutes after removal from humidity.
 Corrosion: Mil-Std-202, Method 101, Test Cond. B.
 Vibration: Mil-Std-202, Method 204, Test Cond. D.
 Shock: Mil-Std-202, Method 213, Test Cond. I.

APPLICABLE CARBIDE IT DOCUMENTS	WORK STD	PROD INST	ASSY INST	NA	NA
TOLERANCES AND NOTES	EXCEPT AS NOTED				
1. HATCH NUMBER 8/ AND	MATERIAL 1/2				
2. WORK ALL DIMS DEC3 2008 MM.	DIA UNLESS OTHERWISE SPECIFIED				
3. UNLESS SPECIFIED ALL DIMS ARE IN INCHES	AND DECIMALS THEREOF				
4. UNLESS SPECIFIED ALL DIMS ARE TO BE HONED	AND ALL DIMS TO BE HONED UNLESS OTHERWISE SPECIFIED				
5. UNLESS SPECIFIED ALL DIMS ARE TO BE HONED	AND ALL DIMS TO BE HONED UNLESS OTHERWISE SPECIFIED				
6. UNLESS SPECIFIED ALL DIMS ARE TO BE HONED	AND ALL DIMS TO BE HONED UNLESS OTHERWISE SPECIFIED				
7. UNLESS SPECIFIED ALL DIMS ARE TO BE HONED	AND ALL DIMS TO BE HONED UNLESS OTHERWISE SPECIFIED				
8. UNLESS SPECIFIED ALL DIMS ARE TO BE HONED	AND ALL DIMS TO BE HONED UNLESS OTHERWISE SPECIFIED				
9. UNLESS SPECIFIED ALL DIMS ARE TO BE HONED	AND ALL DIMS TO BE HONED UNLESS OTHERWISE SPECIFIED				
10. UNLESS SPECIFIED ALL DIMS ARE TO BE HONED	AND ALL DIMS TO BE HONED UNLESS OTHERWISE SPECIFIED				

REV	DESCRIPTION	DATE	BY
G	ECD 13311	05.10.01	ATV
H	ECD 20084	03.26.07	DKN
J	ECD 25581	04.19.12	DKN

① DIMENSIONS SHOWN ARE FOR ROEGERS 4350 PCB MATERIAL. THESE DIMENSIONS MAY VARY DEPENDING ON PCB MATERIAL USED.

MOUNTING HOLE PATTERN



P/N	INTERFACE(S)	(Ø A)	(Ø B)	FIGURE(S)
-1CC	FULL DETENT	(.116)	.075	1
-2CC	LIMITED DETENT	(.120)	.075	1
-3CC	SMOOTH BORE	(.125)	.075	1
-4CC	CATCHER'S MITT	(.125)	.075	2
-5CC	FULL DETENT	(.116)	.140	1
-6CC	LIMITED DETENT	(.120)	.140	1
-7CC	SMOOTH BORE	(.125)	.140	1
-8CC	CATCHER'S MITT	(.125)	.140	2

REV. 2	DATE	BY	CHKD	APP'D
2				
DRAWING TITLE: NONE				
DRAWING NUMBER: P797				
PART NUMBER: C 50990				

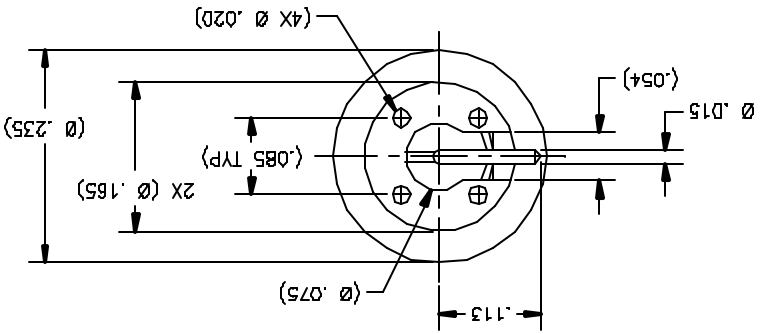


FIG. 2

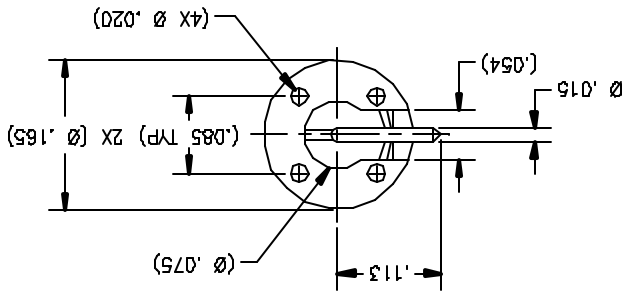
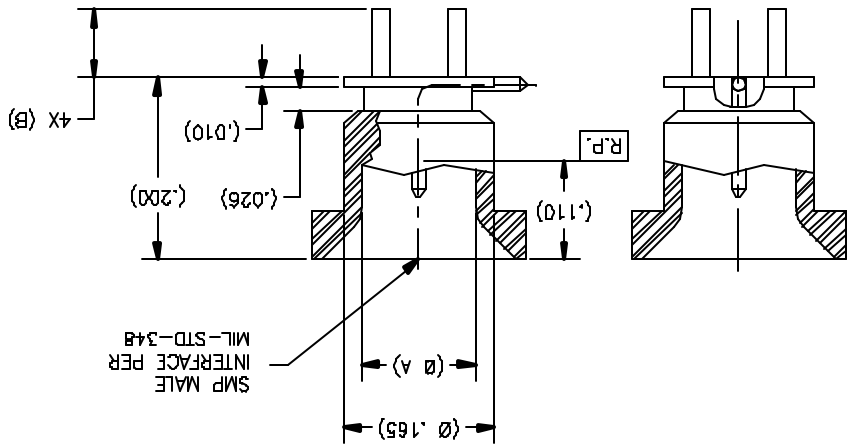
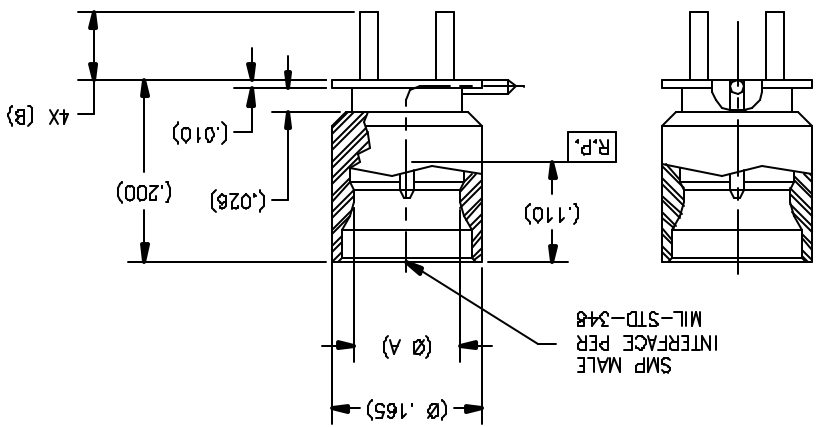


FIG. 1



A

B

C

D

A

B

C

D

1

2

3

4

1

2

3

4

X-ON Electronics

Largest Supplier of Electrical and Electronic Components

Click to view similar products for [RF Connectors / Coaxial Connectors](#) *category:*

Click to view products by [Carlisle Interconnect Technologies](#) *manufacturer:*

Other Similar products are found below :

[R125315120](#) [8915-1511-000](#) [89674-0827](#) [5916-1103-603](#) [0106-001-000](#) [6-0001-3](#) [6001-7071-019](#) [6002-7051-003](#) [6002-7551-202](#) [6059674-1](#) [619550-1](#) [630059-000](#) [M39012/25-0021](#) [M39012/79-3008](#) [M39030/3-01N](#) [M39030/3-03N](#) [M3933/25-36N](#) [6500-7071-046](#) [6501-1071-002](#) [M83723/72W2457N](#) [6769](#) [CX050L2AQ](#) [7002-1541-010](#) [7002-1572-002](#) [7003-1572-002](#) [7004-1512-000](#) [7009-1511-004](#) [7010-1511-000](#) [7029-1511-060](#) [7101-1541-010](#) [7101-1571-002](#) [7105-1521-002](#) [7145-1521-002](#) [7209-1511-011](#) [7210-1511-012](#) [7210-1511-015](#) [7210-1511-019](#) [7210-1511-040](#) [7225-1512-050](#) [7242-1511-000](#) [73137-5015](#) [73251-0111](#) [73251-0672](#) [73276-1501](#) [73366-0013](#) [73404-2300](#) [73413-6080](#) [734151610](#) [73415-5721](#) [7405-1521-005](#)