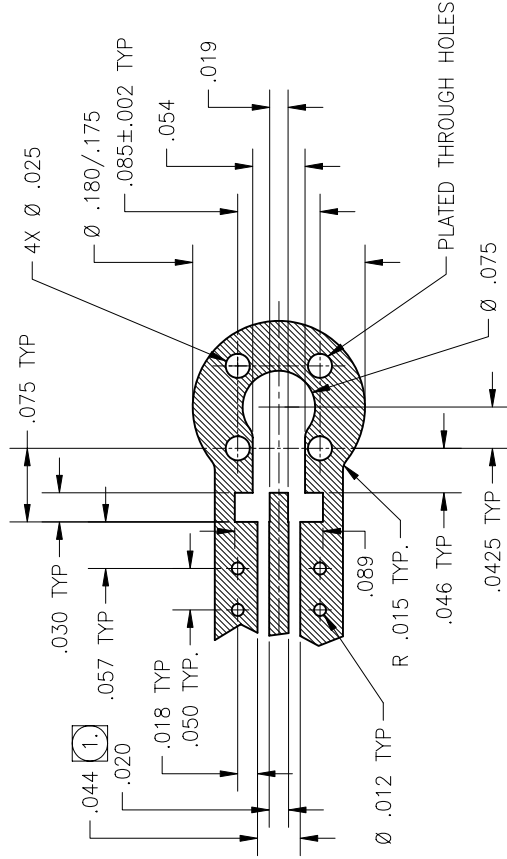
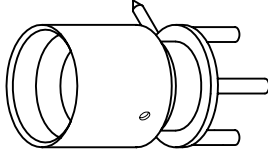


P/N	APPLICABLE NOTES	INTERFACE(S)	(Ø A)	(B)	FIGURE(S)
-1CC	1,2,3,4	FULL DETENT	(.116)	.075	1
-2CC	1,2,3,4	LIMITED DETENT	(.120)	.075	1
-3CC	1,2,3,4	SMOOTH BORE	(.125)	.075	1
-4CC	1,2,3,4	CATCHER'S MITT	(.125)	.075	2
-5CC	1,2,3,4	FULL DETENT	(.116)	.140	1
-6CC	1,2,3,4	LIMITED DETENT	(.120)	.140	1
-7CC	1,2,3,4	SMOOTH BORE	(.125)	.140	1
-8CC	1,2,3,4	CATCHER'S MITT	(.125)	.140	2



MOUNTING HOLE PATTERN

1. DIMENSIONS SHOWN ARE FOR ROGERS 4350 PCB MATERIAL. THESE DIMENSIONS MAY VARY DEPENDING ON PCB MATERIAL USED.



REVISIONS			
ZONE	REV	DESCRIPTION	DATE
-	F	ECO 12303	10/02/00
-	G	ECO 13311	05.10.01
-	H	ECO 20084	03.26.07

BY	DATE
AGS	10/02/00
ATV	05.10.01
DKN	03.26.07

MATERIAL:

Body: BeCu alloy per ASTM B-196.
Center Conductor: Brass alloy per ASTM B-16.
Insulator: Torlon per AMS 3670 or ASTM D-5204.

ELECTRICAL:

Impedance: 50 Ohms nominal.
Frequency Range: DC to 18 GHz.
VSWR: 1.15:1 max to 18 GHz.
Insertion Loss: .10 dB max to 18 GHz.
Working Voltage: 335 Vrms max @ sea level.
Dielectric Withstanding Voltage: 500 Vrms min.
R.F. HiPot Voltage: 325 Vrms min @ 5MHz.
Corona Level: 125 Vrms @ 70,000 ft.
Insulation Resistance: 5000 MegOhms min.
Contact Resistance: Center Contact: 6.0 Milliohm max. Outer Contact: 2.0 Milliohm max.

MECHANICAL:

Mating Characteristics:
Interface per Mil-Std-348.
Force To Engage & Disengage:
Engage:
Full detent: 10.0 lbs max
Limited detent: 5.0 max
Smooth bore/Catchers mitt: 2.0 lbs max
Disengage:
Full detent: 2.0 lbs min
Limited detent: 1.5 lbs min
Smooth bore/Catchers mitt: .50 lbs min
Center Contact Retention:
Axial Force: 1.5 pounds min.
Radial Torque: NA
Connector Durability:
Depend on detent

ENVIRONMENTAL:

Temperature Range: -65°C to +165°C.
Thermal Shock: Mil-Std-202, Method 107, Test Cond. B.
Moisture Resistance: Mil-Std-202, Method 106, except step 7b shall be omitted. Insulation resistance at least 1000 MegOhms within 5 minutes after removal from humidity.
Corrosion: Mil-Std-202, Method 101, Test Cond. B.
Vibration: Mil-Std-202, Method 204, Test Cond. D.
Shock: Mil-Std-202, Method 213, Test Cond. I.

FINISH:

Body & Center Conductor: Gold plate per ASTM B-488, over nickel under plate per AMS-QQ-N-290.

APPLICABLE TENSOLITE DOCUMENTS

WORK STD	PROD INST	ASST INST
NA	NA	NA

NOTICE

THIS DRAWING EMBODIES A CONFIDENTIAL PROPRIETARY DESIGN OF TENSOLITE. ANY REPRODUCTION, USE AND SALE OF THIS DRAWING WITHOUT THE EXPRESS WRITTEN PERMISSION OF TENSOLITE IS PROHIBITED. BY ACCEPTING THIS DRAWING NOT TO SUPPLY OR DISCLOSE ANY INFORMATION TO OTHER PROJECTS ANY SPECIAL FEATURES INCORPORATED IN THIS DRAWING ARE THE PROPERTY OF TENSOLITE. RESERVED BY TENSOLITE COMPANY, LONG BEACH, CALIFORNIA 90815.

TOLERANCES AND NOTES EXCEPT AS NOTED

- DIMENSIONS ARE IN INCHES:
FRACTION ± 1/32
DECIMAL ± 0.005
ANGULAR ± 1/2°
1. BREAK ALL SHARP EDGES .003 MAX.
2. MACHINED FILLETS TO .005 MAX.
3. DIMENSIONS TO BE MET BEFORE PLATING.
4. DIMENSIONS TO BE MET AFTER PLATING.
5. DIMENSIONS TO BE MET PER H-2B.
6. REMOVE FRAMED EDGES ON TOLON.
7. REMOVE FRAMED EDGES ON TENSOLITE.

APPROVAL INITIALS	DATE	MATERIAL	SIZE	SPECIFICATION	PROCUREMENT
DRWN BY: DKN	08.10.99				
CHECKED BY:					
TEST ENGS:					
QUALITY:					
DESIGN ENGS: JCB	03.26.07				
MFG ENGS:					

Tensolite
HIGH PERFORMANCE CABLES & INTERCONNECT SYSTEMS
Long Beach, California 90815

TITLE: SMP MALE STRAIGHT
PCB SURFACE MOUNT

SCALE: 16:1
SUB-DIRECTORY/ITEM NO: -OLP/

SIZE: CAGE CODE -
DRAWING NO. P797

SHEET 1 OF 2

DRAWING NO. P797

REV. H

D

C

B

A

1

2

3

4

D

C

B

A

1

2

3

4

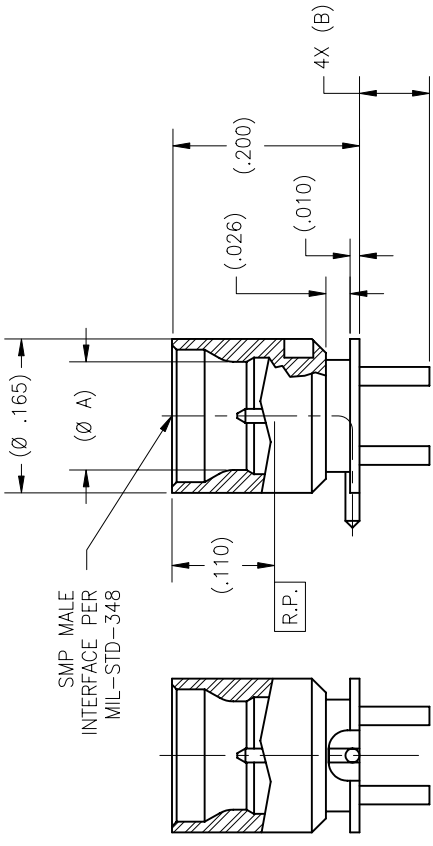


FIG. 1

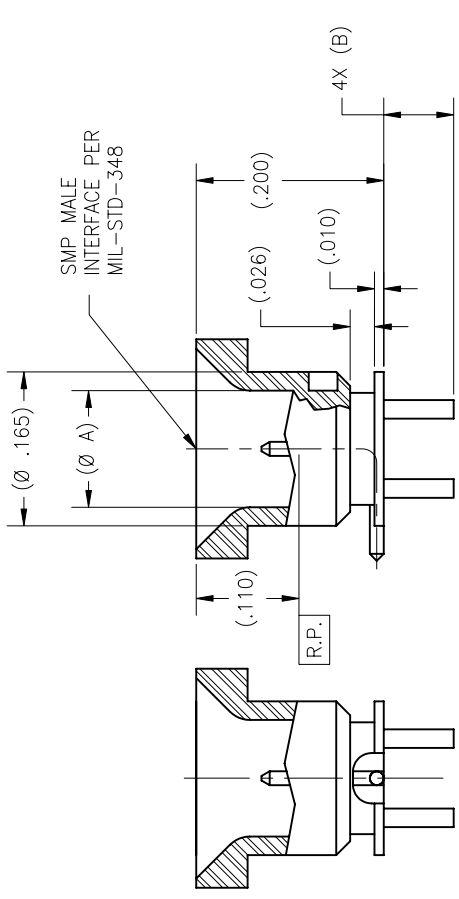
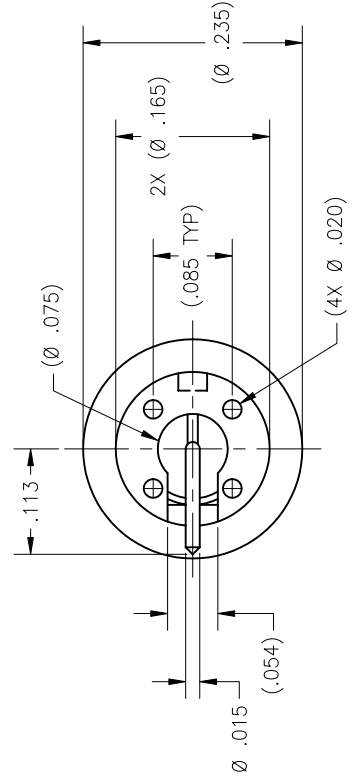


FIG. 2



SCALE	SUB-DIRECTORY/FILENAME	SHEET	2	OF	2
NONE	_OLP\				
SIZE	CASE CODE	DRAWING NO.	P797		
C	30990				
					REV. H

X-ON Electronics

Largest Supplier of Electrical and Electronic Components

Click to view similar products for [RF Connectors / Coaxial Connectors](#) *category:*

Click to view products by [Carlisle Interconnect Technologies](#) *manufacturer:*

Other Similar products are found below :

[R125315120](#) [8915-1511-000](#) [89674-0827](#) [5916-1103-603](#) [0106-001-000](#) [6-0001-3](#) [6001-7071-019](#) [6002-7051-003](#) [6002-7551-202](#) [6059674-1](#) [619550-1](#) [630059-000](#) [M39012/25-0021](#) [M39012/79-3008](#) [M39030/3-01N](#) [M39030/3-03N](#) [M3933/25-36N](#) [6500-7071-046](#) [6501-1071-002](#) [M83723/72W2457N](#) [6769](#) [CX050L2AQ](#) [7002-1541-010](#) [7002-1572-002](#) [7003-1572-002](#) [7004-1512-000](#) [7009-1511-004](#) [7010-1511-000](#) [7029-1511-060](#) [7101-1541-010](#) [7101-1571-002](#) [7105-1521-002](#) [7145-1521-002](#) [7209-1511-011](#) [7210-1511-012](#) [7210-1511-015](#) [7210-1511-019](#) [7210-1511-040](#) [7225-1512-050](#) [7242-1511-000](#) [73137-5015](#) [73251-0111](#) [73251-0672](#) [73276-1501](#) [73366-0013](#) [73404-2300](#) [73413-6080](#) [734151610](#) [73415-5721](#) [7405-1521-005](#)