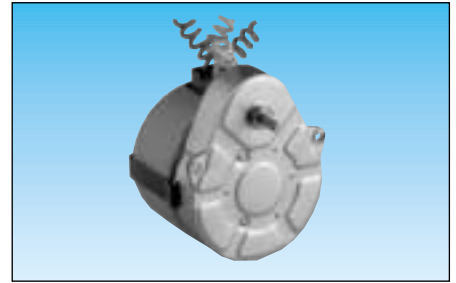


Reversible synchronous geared motors with capacitor

- Constant speed, dependent on supply frequency
- Wide range of speeds
- Direction of rotation controlled by dephasing capacitor
- Permanent magnet rotor
- UL, CSA, VDE approved, comply with IEC standards.



Applications

- Valve actuation
- Blind, louvre and vane actuation
- Office equipment
- Boiler systems
- Amusement machines
- Vending machines
- Medical equipment
- Laboratory equipment
- Peristaltic pumps

Made to order products, non stocked

Motors :

- other voltages/frequencies
- lead length
- boosted coils for performance +30% higher than standard (consult us)
- motor fixed by screws not clips
- different lead exit angle relative to gearbox

Gearboxes :

- other output speeds
- special shaft
- special lubrication
- ball bearing (81 021 only)

Other information

For basic principles, see page 2/6
 Dimensions see page 2/28
 NB : The speed of a motor powered by a 60 Hz supply is 20% higher than that of a motor powered by a 50 Hz supply.

Types

	82 524 0	82 524 4
Base speed of motor (rpm)	250	375

Output speeds (rpm) Ratios (i) Part numbers

Motors	250 rpm	375 rpm	Ratios (i)	Part numbers
	53.33	80	75/16	●
	25	37.5	10	82 524 001 ●
	20.83	31.25	12	●
	20	30	25/2	82 524 002 ●
	13.33	20	75/4	●
	12.50	18.75	20	82 524 003 ●
	10.42	15.62	24	●
	10	15	25	82 524 004 ●
	8.33	12.5	30	82 524 005 ●
	6.94	10.41	36	●
	6.25	9.37	40	82 524 006 ●
	5.21	7.81	48	●
	5.00	7.50	50	82 524 008 ●
	4.17	6.25	60	●
	4	6	125/2	82 524 010 ●
	3.47	5.20	72	●
	3.13	4.68	80	82 524 011 ●
	2.50	3.75	100	●
	2.08	3.12	120	82 524 013 ●
	2.00	3	125	●
	1.67	2.5	150	82 524 014 ●
	1.56	2.34	160	—
	1.25	1.87	200	—
	1.04	1.56	240	●
	1.00	1.50	250	82 524 016 ●
	0.83	1.25	300	●
	0.69	1.04	360	●
	0.67	1	375	●
	0.50	0.75	500	82 524 019 ●
	0.46	0.69	540	●
	0.42	0.62	600	●
	0.35	0.52	720	●
	0.33	0.50	750	●
	0.31	0.46	800	—
	0.23	0.34	1080	—
	0.21	0.31	1200	82 524 021 ●
	0.17	0.26	1440	●
	0.14	0.20	1800	—
	0.12	0.17	2160	●
	0.10	0.15	2400	●

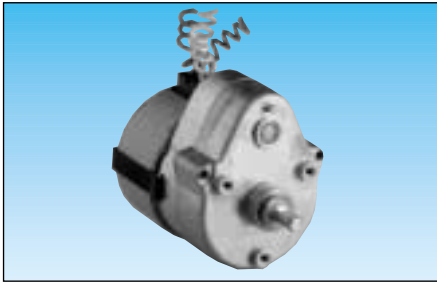
Output speeds (rev/hr)

	8.21	7.8	2880	●
	5	7.5	3000	●
	4.17	6.25	3600	●
	3.47	5.21	4320	●
	2.5	3.75	6000	●
	2.08	3.128	7200	●
	1.67	2.5	9000	●
	1.39	2.08	10800	●
	1.25	1.87	12000	●
	1.04	1.56	14400	●
	0.69	1.04	21600	●
	0.42	0.625	36000	●
	0.35	0.52	43200	●
	0.25	0.42	54000	●
	0.21	0.31	72000	●
	0.14	0.21	108000	●
	0.10	0.15	144000	●
	0.08	0.125	180000	●
	1/14.4	1/9.6	216000	●
	1/28.8	1/19.2	432000	●
	1/57.6	1/38.4	864000	●

Standard gearbox shaft: see dimensions (page 2/28)

Options : for made to order products non stocked

Voltages / Frequencies	230-240 V 50 HZ		
	115 V 60 Hz	●	●
	24 V 50 Hz	—	—
	24 V 60 Hz	—	—
Torque limiter F symbol (see page 2/34)		●	●
Other gearbox output shafts (see p.2/28)		●	●



82 529 0 82 529 4
250 375

1

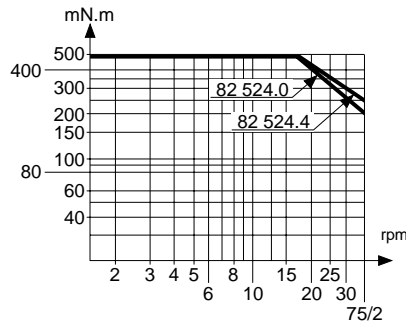
2

General characteristics

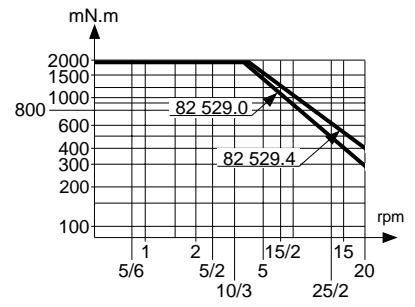
Type		82 524 0	82 524 4	82 529 0	82 529 4
Motor		82 520 0	82 520 4	82 520 0	82 520 4
Gearbox		81 021 0	81 021 0	81 033 0	81 033 0
Voltage/Frequency		230-240V 50 Hz	230-240V 50 Hz	230-240V 50 Hz	230-240V 50 Hz
Maximum permitted continuous rated gearbox output torque for 1 million revolutions of gearbox output shaft	Nm	0.5	0.5	2.0	2.0
Axial load	daN	1	1	1	1
Radial load	daN	8	8	10	10
Absorbed power	W	3.5	3.5	3.5	3.5
Usable motor power	W	0.98	1.12	0.98	1.12
Maximum temperature rise	°C	50	50	50	50
Ambient temperature	°C	-5+70	-5+70	-5+70	-5+70
Weight	g	140	140	260	350
Lead length (approx.)	mm	250	250	250	250
Protection		IP40	IP40	IP40	IP40

Torque /Speed curves

82 524 0 - 82 524 4

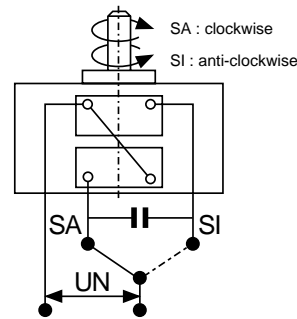


82 529 0 - 82 529 4



Connections

In parallel
Motors 82 520 0 - 82 520 4



2

Capacitors (supplied only on request)

Voltages / Frequencies	µF	V	Part number
Motor 82 520 0			
230-240 V 50 Hz	0.10 ± 10%	700	26 231 941
115 V 60 Hz	0.33 ± 10%	400	26 231 801
24 V 50 Hz	8.2 ± 10%	63	26 231 711
Motor 82 520 4			
230-240 V 50 Hz	0.12 ± 10%	630	26 231 903
115 V 60 Hz	0.39 ± 10%	630	26 231 924
24 V 50 Hz	15 ± 10%	63	26 231 729
24 V 60 Hz	12 ± 10%	63	26 231 727

3

To order, specify :

Standard products

2 Part number

Example : Synchronous geared motor 82 524 001

Standard products, non stocked

1 Type 2 Voltage / frequency 3 Option

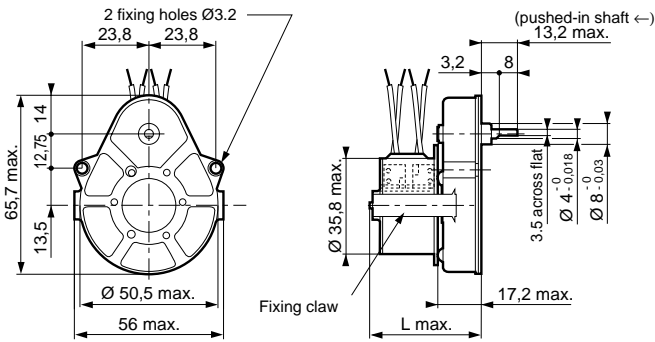
Example : Synchronous geared motor 82 524 4-5 rpm-230V 50Hz

Products available to order, please consult us

Reversible synchronous geared motors

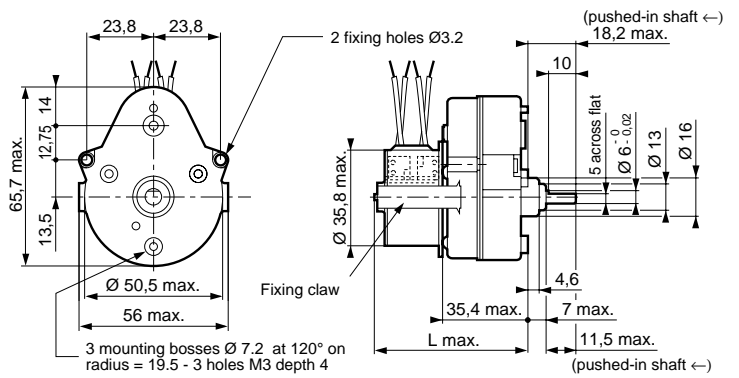
Dimensions

82 514 0 - 82 554 0



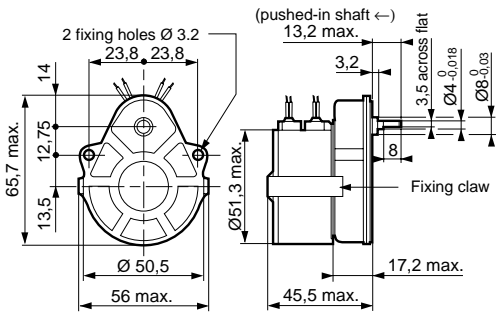
	L max.
82 514 0	40.5
82 554 0	42.8

82 519 0 - 82 559 0

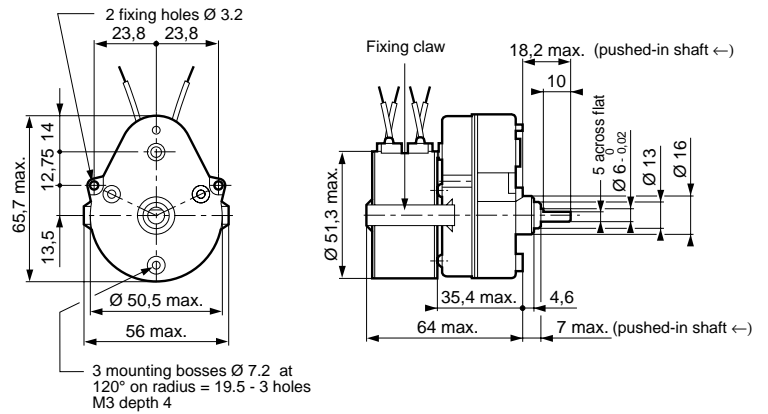


	L max.
82 519 0	58.7
82 559 0	61

82 524 0 - 82 524 4

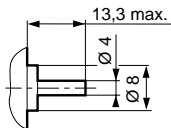


82 529 0 - 82 529 4

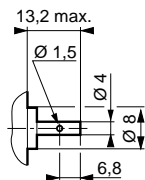


Products made to order : gearbox output shaft

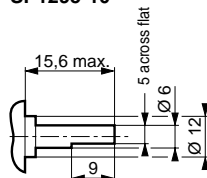
Shaft 79 200 967 (pushed-in shaft ←)



Shaft 79 200 779 (pushed-in shaft ←)



Shaft 70 999 421 SP1295-10



X-ON Electronics

Largest Supplier of Electrical and Electronic Components

Click to view similar products for [crouzet](#) manufacturer:

Other Similar products are found below :

[89422008](#) [89422712](#) [89750161](#) [LWRL480A](#) [MAXR2U12D](#) [79215938](#) [79237785](#) [805470A40020MY](#) [80807012](#) [808070Y01125Z](#)
[808550Y00049Z](#) [81502320](#) [81512201](#) [81513075](#) [81513201](#) [81520601](#) [81551001](#) [81716512](#) [81921911](#) [823055C10001MWY](#) [82330582](#)
[823345A10001MB](#) [823345A10002MP](#) [823345A100.5HP](#) [823345P10004MC](#) [823440A100.1MP](#) [82344634](#) [82664024](#) [82861017](#) [82861021](#)
[828627Y00047](#) [831060C1.0](#) [83870104](#) [83990129](#) [84137122](#) [84137181](#) [84211M02LGRS](#) [84217A65CN0S](#) [84717674](#) [84855011](#) [84870200](#)
[84870214](#) [84870404](#) [84872020](#) [87611008](#) [88225030](#) [88270001](#) [88829117](#) [88865135](#) [88865145](#)