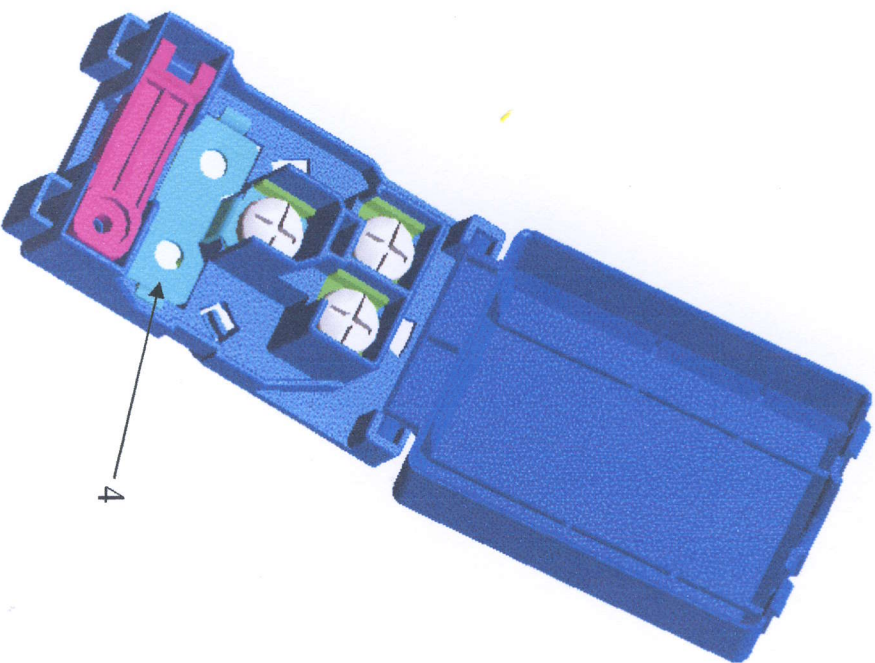


- Rated insulation voltage:
AC 250V.
- Rated current: 16A
- Cable section: 2.5mm²
- Type of conductor:
flexible only.
- Number of poles: 3



General informations

ITW code:	Date:	16/01/2006
Type/model PA 244 S	P.D. (project development):	4498
Description: Terminal Block - NEW PA244		

Technical data

Rated insulation voltage:	AC V	250
Rated current:	A	10 - 25
Wire size:	mm2	3x0,75 - 3x2,5
Total poles:	n°	3
Male tabs:	mm	6,3x0,8 (two for each pole)
Working temperature:	°C	110
Type of wire / cable clamp capab.:		flexible / 11 mm
Glow wire test (GWFI)	°C	850
Traking test (PTI):	V	>250
Protection degree:	IP	30
Kind of connection:	Only for fixed usage	

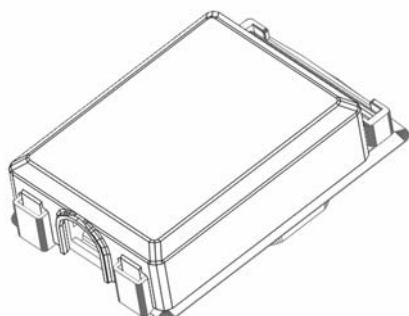
Possible raw materials used

Producer:	BASF	EURONIL	RADICI
Tradename:	A3W	Nilamid AXP 156	RDF A AE 131 C
Flame class (UL 94):	V2	V2	V0
Glow wire test (GWFI):	850	850	850
Glow wire test (GWIT):	775 5 sec.	750 2 sec.	750 2 sec.
CTI (sol. A):	>600	250-399	250-399

Similar products with homologation:

Type:	PA 244	PA 244 N
Licenze n°:	121360 (VDE) - CA02.00715/EG912 (IMQ)	
What does it change?	Plastic box, contact geometry and screws.	

Image:



X-ON Electronics

Largest Supplier of Electrical and Electronic Components

Click to view similar products for [hylec manufacturer](#):

Other Similar products are found below :

[LN167001](#) [50.625 PA/3X7](#) [50.620 PA/R](#) [DESTB-1003](#) [THB.406.A1G](#) [THB.387.A4A.R](#) [K150-1032-00](#) [GHG9601955R0004](#) [K151-1032-00](#)
[HYKS-07612PP](#) [THB.382.A1A-KIT](#) [THB.390.A1AKIT](#) [THK.404.X2A00-F](#) [50.216 ES](#) [50.616M/EMVDL-F](#) [50.625 ES](#) [PA244SKIT](#)
[THB.387.A3A](#) [THB.405.A2A](#) [50.220 M-F](#) [HY435/12 FV](#) [THB110A6B-F](#) [50.216 M-F](#) [THB.387.B5A](#) [5625////1121](#) [THB.380.3ASSY](#)
[THB.405.A2G](#) [THA.209.A1A](#) [DESTB-1002](#) [THB.384.A1A](#) [K257-1012-00](#) [6000302CC](#) [TTK25BK-SD-F](#) [TTK20GY-SD-F](#) [DESTB-0403](#)
[THB.384.B1A](#) [50.625 PA/RSW](#) [HY508/3 V/3F](#) [5665/221](#) [THB.387.D4A](#) [THB.387.B4A](#) [THR.405.S5A](#) [THB.381.M2A](#) [THB.387.A5A](#)
[THB.387.C5A](#) [THB.387.D3A](#) [50.625 M/EMVDL-F](#) [THK.200.3T](#) [THB.381.A2A](#) [K160-1040-00](#)