







# PA80 – PA81

Interlocking Barrier  
Terminal block.  
PA 81: end plate for  
Modular PA 80.



## TECHNICAL DATA

|                                                     | IEC                                                                                                                           |           | American Standards |  |
|-----------------------------------------------------|-------------------------------------------------------------------------------------------------------------------------------|-----------|--------------------|--|
|                                                     | A                                                                                                                             | B         | C                  |  |
| <b>Dimensions</b><br>mm (inches)                    | 29 (1.14)                                                                                                                     | 38 (1.50) | 11 (0.43)          |  |
| <b>Versions</b>                                     | F/F: with tab-to-tab insert , V/F: with screw-to-tab insert , V/F.F: with screw to tab-tab insert , PA81: side closing module |           |                    |  |
| <b>Ratings</b>                                      | 450V – 20A                                                                                                                    |           | 600V – 20A         |  |
| <b>Wire size</b>                                    | 2.5 sqmm                                                                                                                      |           | 22 ÷ 12AWG         |  |
| <b>Working Temperature</b>                          | -5 ÷ 110 °C (short time 140 °C)                                                                                               |           | 23 ÷ 221 °F        |  |
| <b>Nominal Temperature</b><br>(Testing temperature) | T110 (140°C)                                                                                                                  |           | -                  |  |
| <b>Plastic Material</b>                             | Polyamide PA6.6 natural colour, UL94-V2, GWT960 °C                                                                            |           |                    |  |
| <b>Metal Parts</b>                                  | M4 zinc plated steel screw; 6.3 x 0.8 zinc plated steel tab insert;<br>other parts made in zinc plated steel                  |           |                    |  |
| <b>Accessories</b>                                  | PA262                                                                                                                         |           |                    |  |

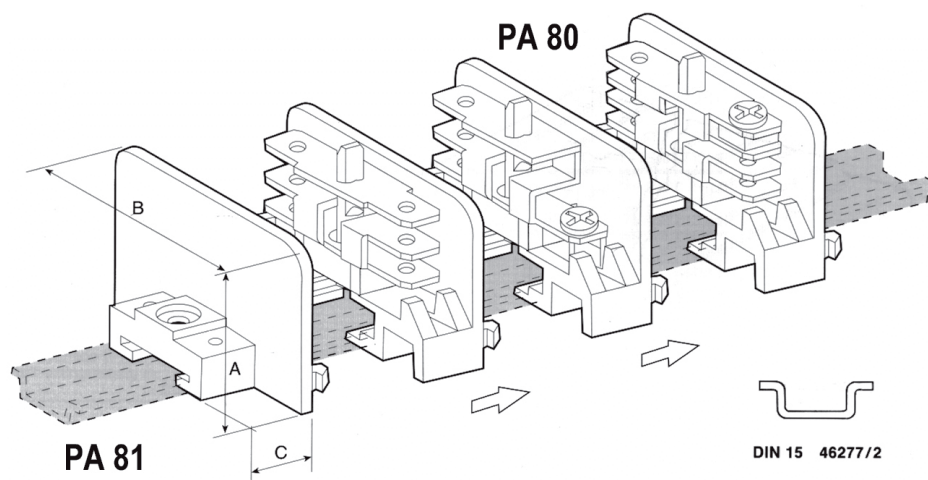
| Approvals                                                                           | File Nr.                | Ratings (sqmm/AWG – V – A – T)                | Standard References                                       |
|-------------------------------------------------------------------------------------|-------------------------|-----------------------------------------------|-----------------------------------------------------------|
|  | -CA02.00725             | 2.5 sqmm – 450V – 20A - T110                  | EN60998-1; EN60998-2-1; EN61210                           |
|  | 121240                  | 2.5 sqmm – 450V – 20A(screw) 15A (Tab) - T110 | DIN EN60998-1; DIN EN60998-2-1;<br>DIN EN61210 (VDE 0613) |
|  | E76048<br>vol. 1 sec. 3 | 22 ÷ 12AWG - 600V - 20A - 105 °C              | UL 1059                                                   |
|  | LR 40455-10             | 22 ÷ 12AWG - 600V - 20A                       | CSA C22-2 N.158-1987; E.C.N 584B                          |





# PA80 – PA81

DIMENSIONAL  
DRAWING



## PACKAGING

| Type        | P-N       | Pack. | Dim. Pack. (LxHxP) | Weight (Kg) |
|-------------|-----------|-------|--------------------|-------------|
| PA 80 F/F   | 300770    | 1000  | 40x20x40           | 10          |
| PA 80 V/F   | 300771    | 1000  | 40x20x40           | 10          |
| PA 80 V/F.F | 300772    | 1000  | 40x20x40           | 10          |
| PA 81       | 970445    | 1000  | 40x20x40           | 10          |
| PA 262 ACC. | 971302+16 | (1)   |                    | (2)         |

(1) On request.      (2) According to (1)





## X-ON Electronics

Largest Supplier of Electrical and Electronic Components

*Click to view similar products for [hylec manufacturer](#):*

Other Similar products are found below :

[LN167001](#) [50.625 PA/3X7](#) [50.620 PA/R](#) [DESTB-1003](#) [THB.406.A1G](#) [THB.387.A4A.R](#) [K150-1032-00](#) [GHG9601955R0004](#) [K151-1032-00](#)  
[HYKS-07612PP](#) [THB.382.A1A-KIT](#) [THB.390.A1AKIT](#) [THK.404.X2A00-F](#) [50.216 ES](#) [50.616M/EMVDL-F](#) [50.625 ES](#) [PA244SKIT](#)  
[THB.387.A3A](#) [THB.405.A2A](#) [50.220 M-F](#) [HY435/12 FV](#) [THB110A6B-F](#) [50.216 M-F](#) [THB.387.B5A](#) [5625////1121](#) [THB.380.3ASSY](#)  
[THB.405.A2G](#) [THA.209.A1A](#) [DESTB-1002](#) [THB.384.A1A](#) [K257-1012-00](#) [6000302CC](#) [TTK25BK-SD-F](#) [TTK20GY-SD-F](#) [DESTB-0403](#)  
[THB.384.B1A](#) [50.625 PA/RSW](#) [HY508/3 V/3F](#) [5665/221](#) [THB.387.D4A](#) [THB.387.B4A](#) [THR.405.S5A](#) [THB.381.M2A](#) [THB.387.A5A](#)  
[THB.387.C5A](#) [THB.387.D3A](#) [50.625 M/EMVDL-F](#) [THK.200.3T](#) [THB.381.A2A](#) [K160-1040-00](#)