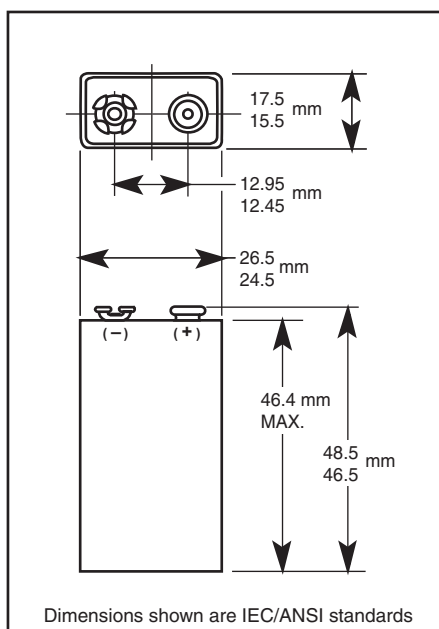
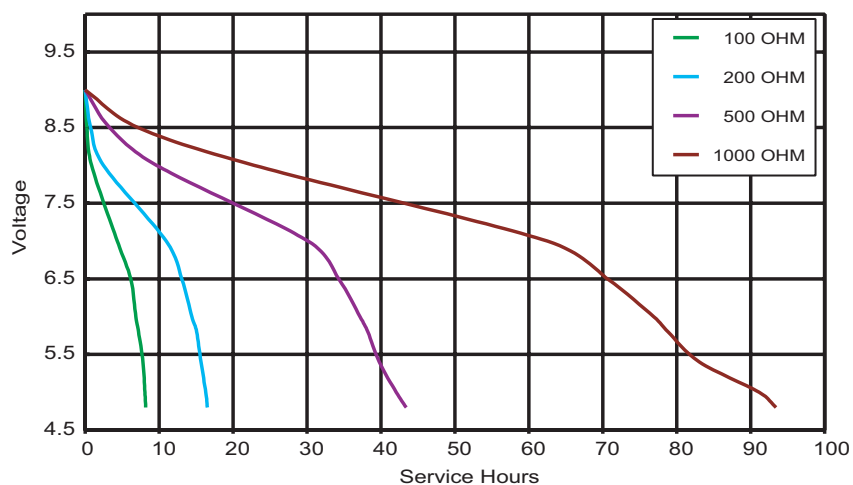




Nominal Voltage:	9 V
Operating Voltage:	9.6 - 4.8 V
Impedance:	1,700 m-ohm @ 1kHz
Typical Weight:	45 gm (1.6 oz.)
Typical Volume:	22.8 cm ³ (1.4 in. ³)
Terminals:	Miniature Snap
Storage Temperature Range:	-20°C to 35°C
Operating Temperature Range:	-20°C to 54°C (-4°F to 130°F)
ANSI:	1604A
IEC:	6LR61



TYPICAL DISCHARGE CHARACTERISTICS AT 21°C (70°F)



DURACELL®
 BATTERIES

Berkshire Corporate Park
 Bethel, CT 06801 U.S.A.
 Telephone: Toll-free 1-800-544-5454
 Internet: www.duracell.com

* Delivered capacity is dependent on the applied load, operating temperature and cut-off voltage. Please refer to the charts and discharge data shown for examples of the energy / service life that the battery will provide for various load conditions.

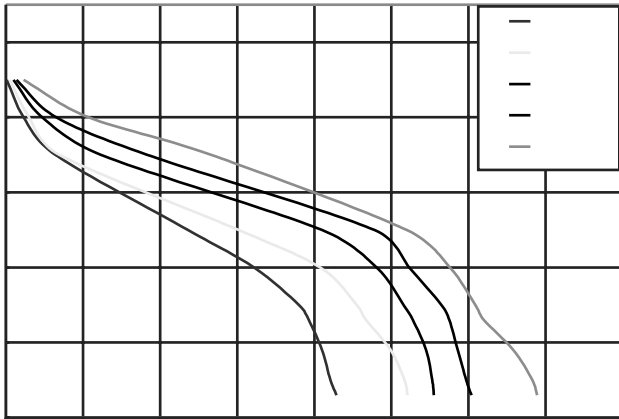


PC1604

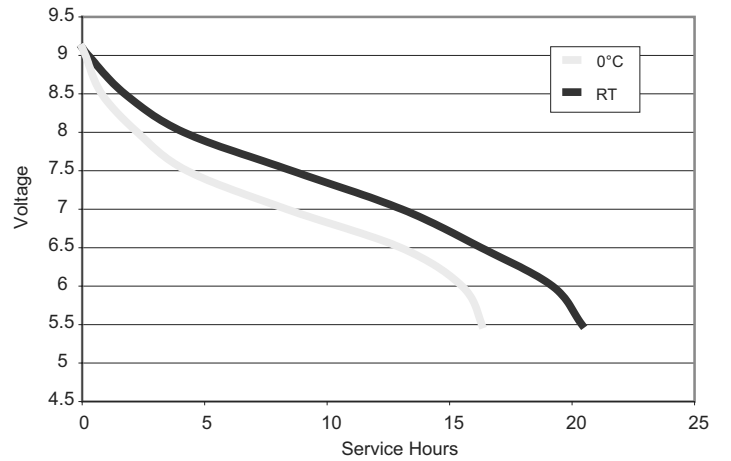
Size: 9V (6LR61)

Alkaline-Manganese Dioxide Battery

Zn/MnO₂



TYPICAL TOY TEST AT 21°C AND 0°C



DURACELL[®]
BATTERIES

Berkshire Corporate Park
Bethel, CT 06801 U.S.A.
Telephone: Toll-free 1-800-544-5454
Internet: www.duracell.com

X-ON Electronics

Authorized Distributor

Click to view similar products for [Duracell](#) manufacturer.

Other Similar products are found below :

[10ET](#) [13ET](#) [15035025M3PP3](#) [15035031M3C2PK](#) [15063765](#) [312ET](#) [357303SR44](#)
[364D364V364SR60](#) [371370](#) [377SR66](#) [392](#) [395](#) [3LR12INDUSTRIAL](#) [5000394002562](#)
[5000394002692](#) [5000394002746](#) [5000394002852](#) [5000394002883](#) [5000394002906](#)
[5000394002951](#) [5000394004030](#) [5000394017764](#) [5000394017825](#) [5000394018549](#)
[5000394019126](#)