

151-0'

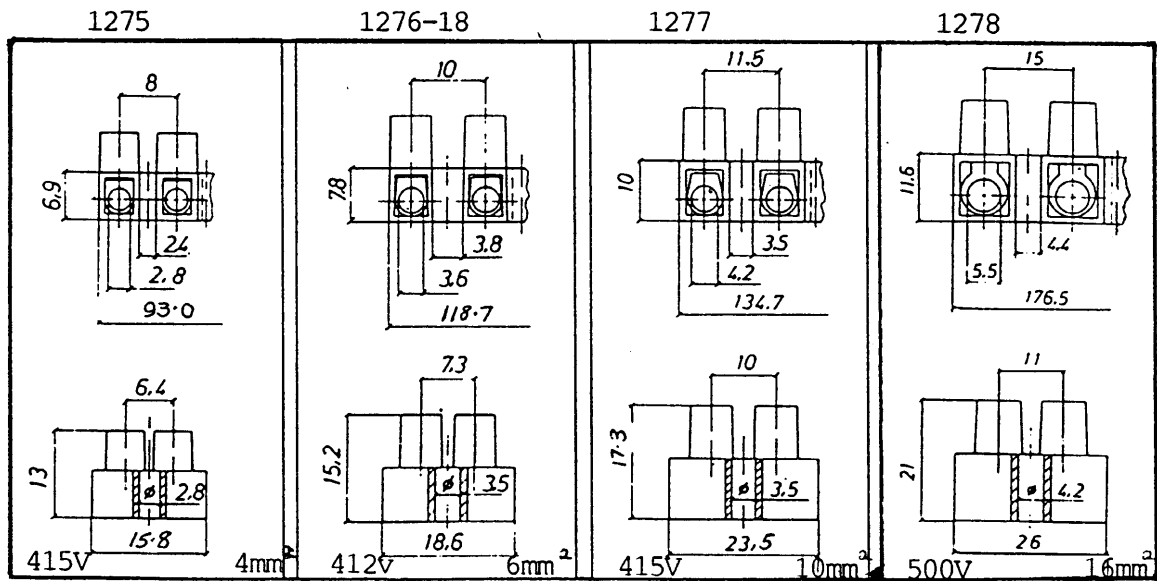
SELF EXTINGUISHING GRADE POLYETHYLENE

TERMINAL BLOCK IN SELF EXTINGUISHING GRADE WHITE POLYETHYLENE WITH FLAT BASES SUITABLE FOR WORKING TEMPERATURES OF UP TO 80°C. TERMINAL INSERTS ARE BRASS WITH CHROMATED FLAT ENDED CAPTIVATED SCREWS. FLEXIBLE AND EASILY CUT TO REQUIRED NUMBER OF POLES.

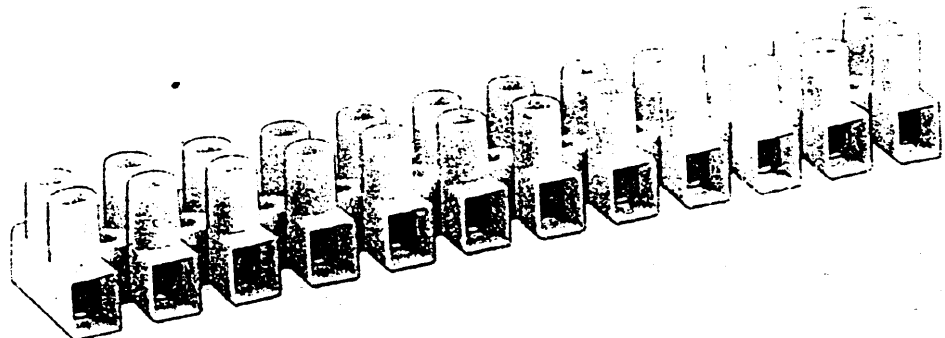
SUBJECT TO SPECIAL ORDER QUANTITIES, THESE TERMINAL BLOCKS CAN ALSO BE SUPPLIED IN COLOURS, YELLOW, GREEN, VIOLET, BLUE, GREY, RED, BLACK - PLEASE ENQUIRE.

CAT REF	AMPS	SCREW	LENGTH	WIDTH	HEIGHT	CABLE HOLE	FIXING CENTRES
1275	6	2.5	93.0	15.8	13	2.8	8
1276-18	10	3	118.7	18.6	15.2	3.6	10
1277	16	3.5	134.7	23.5	17.3	4.2	11.5
1278	32	4	176.5	26	21	5.5	15

APPROVALS = CH SWITZERLAND
A AUSTRIA



MAX VOLTS
MAX CABLE



X-ON Electronics

Largest Supplier of Electrical and Electronic Components

Click to view similar products for [elkay](#) manufacturer:

Other Similar products are found below :

[550B-1](#) [AQUASAFE](#) [PFCC-1](#) [041852X](#) [041854F](#) [041874R](#) [1278](#) [1275](#) [1276-18](#) [2001/4/CG/4](#)