

AC Cooling Fan

AC 4E-02



SIZE :

119x119x38mm (4.69"x4.69"x1.50")

CONSTRUCTION :

- Die-cast aluminum housing
- Metal impeller or Glass fiber reinforced plastic: Impeller are UL 94V-0 rating
- Shaded pole motor
- Impedance protected
- Leader wire or Terminal is available

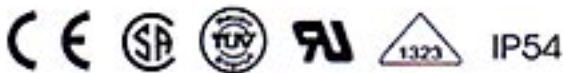
OPERATING TEMPERATURE :

Ball bearing - 30°C to +75°C

Sleeve bearing - 10°C to +70°C

WEIGHT :

600 grams

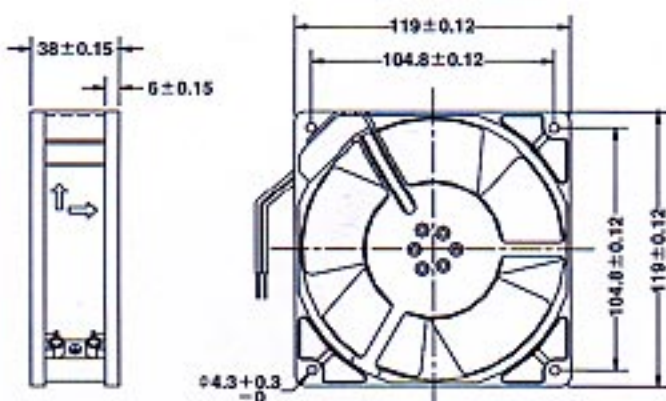


Specifications

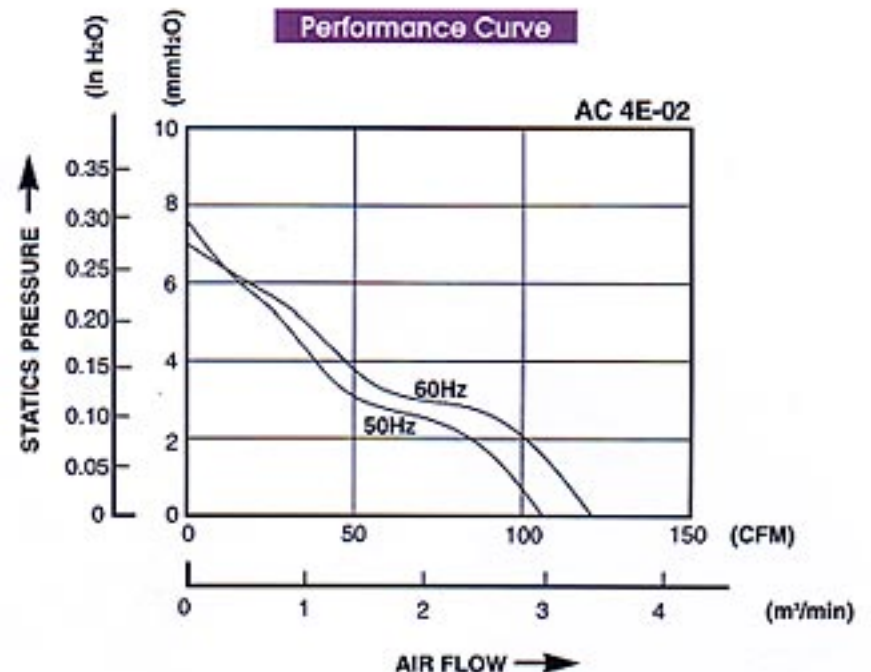
Specifications are subject to change without notice

MODEL NO.	BEARING	RATED VOLTAGE	FREQUENCY	MAX. RATED CURRENT	MAX. INPUT POWER	SPEED	MAX. AIR FLOW		MAX. AIR PRESSURE		NOISE
		VAC	Hz	mA	W	R.P.M.	m ³ /min	CFM	mmH ₂ O	IN H ₂ O	
4E-115B-21-02	Ball	115	50/60	230/220	22/20	2000/2200	2.23/2.32	79/82	3.4/3.0	0.13/0.11	39/41
4E-115S-21-02	Sleeve										
4E-230B-21-02	Ball	230	50/60	130/120	20/19	2000/2200	2.23/2.32	79/82	3.4/3.0	0.13/0.11	39/41
4E-230S-21-02	Sleeve										
4E-115B-02	Ball	115	50/60	250/240	24/22	2700/3000	2.99/3.39	106/120	7.6/7.0	0.29/0.27	46/50
4E-115S-02	Sleeve										
4E-230B-02	Ball	230	50/60	140/130	22/21	2700/3000	2.99/3.39	106/120	7.6/7.0	0.29/0.27	46/50
4E-230S-02	Sleeve										

Dimensions (mm)



Performance Curve



X-ON Electronics

Largest Supplier of Electrical and Electronic Components

Click to view similar products for [bi-sonic manufacturer](#):

Other Similar products are found below :

[9P-230LS-T](#) [BP602512HH-03-W](#) [8P-230LS-T](#) [4C-230HB-T](#) [BP1202524M-W](#) [BP501012M-W](#) [8P-230HB-T](#) [BP1203824H-03-W](#) [8P-230HS-W](#) [BP601012M-W](#) [BP1202524H-W](#) [BP802512H-03-W](#) [4E-230S-17-T](#) [4C-230HB-W](#) [BP1202512H-W](#) [12P-230HB-T](#) [BP922524H-W](#) [SP802512H-03-W](#) [BP402012H-W](#) [SP402012M-W](#) [BP401005H-W](#) [BP401012M-W](#) [BP402024H-W](#) [BP802524HL-03](#) [BP402024M-W](#) [BP922524M-W](#) [5E-230B-W](#) [SP802524H-03-W](#) [5E-DVB-1-W](#) [BP602524H-03-W](#)