

Description

Edwards 125 Class XBR LED Beacons are UL and cUL listed dual mode signaling appliances rated for NEMA 4X applications. Two versions of 125 Class XBR LED Beacons are available: Steady-On/Flashing (125XBRM) and Steady-On/Lightburst (125XBRZ). Both versions can be either surface or conduit mounted. A protective wire guard, Cat. No. 125GRD, is also available.

Both 125XBRM and 125XBRZ beacons are dual mode devices maximizing application flexibility while reducing inventory costs. 125XBRM beacons ship from the factory in Steady-On mode with the built-in option of switching to (65 fpm) Flashing mode by means of an additional wire connection. (Refer to "Setting the Flash Mode" for details). In the same manner, 125XBRZ beacons ship from the factory in Steady-On mode and where ultra visibility is critical, can be easily switched to Lightburst mode. (Refer to "Setting the Flash Mode" for details). 125 Class XBR (XTRA-BRIGHT) LED Beacons are available in red, blue, green, amber, or white.

Electrical Specifications

GRAY BASE		BLACK BASE	
Catalog Number	Catalog Number	Electrical Specs	Color
Steady-On/Flashing			
125XBRMA24D	125XBRMA24DB	24V DC, 0.215A	Amber
125XBRMA120A	125XBRMA120AB	120V AC*, 0.108A	Amber
125XBRMB24D	125XBRMB24DB	24V DC, 0.215A	Blue
125XBRMB120A	125XBRMB120AB	120V AC*, 0.108A	Blue
125XBRMG24D	125XBRMG24DB	24V DC, 0.215A	Green
125XBRMG120A	125XBRMG120AB	120V AC*, 0.108A	Green
125XBRMR24D	125XBRMR24DB	24V DC, 0.215A	Red
125XBRMR120A	125XBRMR120AB	120V AC*, 0.108A	Red
125XBRMW24D	125XBRMW24DB	24V DC, 0.215A	White
125XBRMW120A	125XBRMW120AB	120V AC*, 0.108A	White
Steady-On/Lightburst			
125XBRZA24D	125XBRZA24DB	24V DC, 0.215A	Amber
125XBRZA120A	125XBRZA120AB	120V AC*, 0.108A	Amber
125XBRZB24D	125XBRZB24DB	24V DC, 0.215A	Blue
125XBRZB120A	125XBRZB120AB	120V AC*, 0.108A	Blue
125XBRZG24D	125XBRZG24DB	24V DC, 0.215A	Green
125XBRZG120A	125XBRZG120AB	120V AC*, 0.108A	Green
125XBRZR24D	125XBRZR24DB	24V DC, 0.215A	Red
125XBRZR120A	125XBRZR120AB	120V AC*, 0.108A	Red
125XBRZW24D	125XBRZW24DB	24V DC, 0.215A	White
125XBRZW120A	125XBRZW120AB	120V AC*, 0.108A	White

* 120V AC 50/60 Hz

Mechanical Specifications

Outdoor Locations

Temperature Ratings -31F to +150F (-35C to +66C)

WARNING

To prevent electrical shock, ensure that power is turned off before installing the signal.

Installation

Conduit Mounting (Figures 1 & 3)

1. Feed the 18" (457 mm) signal wire leads through either 1/2" or 3/4" conduit into an approved conduit outlet box. (Product is supplied with a double threaded - 1/2" internal and 3/4" external - conduit hub.)
2. Thread the conduit onto the base of the signal.

Panel Mounting (Figures 2 & 4)

Note: When panel mounting these beacons, the surface and construction details of the panel must be taken into consideration in order to ensure that the integrity of the outdoor, NEMA 4X rating is fully maintained. Installer should evaluate.

1. Place the mounting gasket (supplied) over the hole in the panel and route the signal wires through the gasket and the hole in the panel.
2. Insert the base through the hole in the panel and screw the locking nut (supplied), with the raised locking edge facing the mounting surface, onto the base to secure the beacon.

WARNING

To avoid risk of injury, install lens before energizing the unit and do not remove or insert light source when unit is energized.

Wiring

1. Using wire nuts (not supplied), connect the signal's wire leads as shown in Figure 1 or 2. Polarity must be observed on DC models.
 - AC Models: Connect the black wire to hot and the white wire to common.
 - DC Models: Connect the red wire to positive (+) and the black wire to negative (-).

- Turn on power and verify that the signal operates properly.

Changing the Flash Mode

To change the flash mode from Steady-On to Flashing on 125XBRM beacons or from Steady-On to Lightburst on 125XBRZ beacons, connect the optional yellow wire as follows:

- AC Models: Connect yellow wire to hot
- DC Models: Connect yellow wire to positive

NOTE: When using as shipped in Steady-On mode, cap the yellow wire with a wire nut (supplied).

(See Figures 1 - 4 for details.)

Maintenance



WARNING

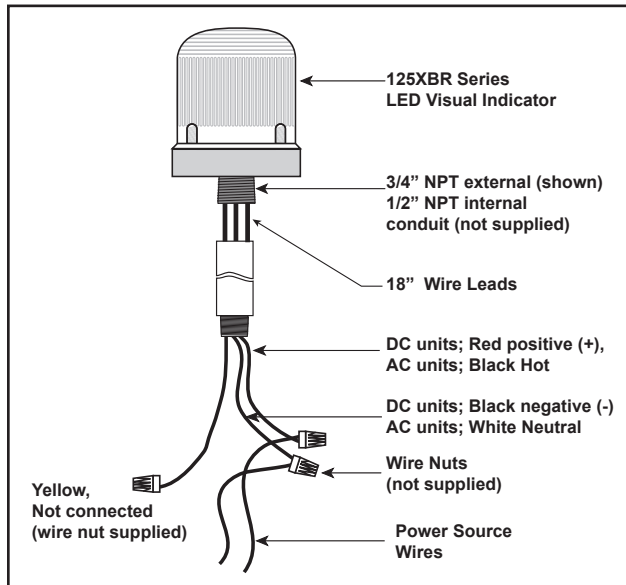
To avoid risk of injury, install lens before energizing the unit.

To avoid the risk of injury, do not start any maintenance when unit is energized.

Cleaning

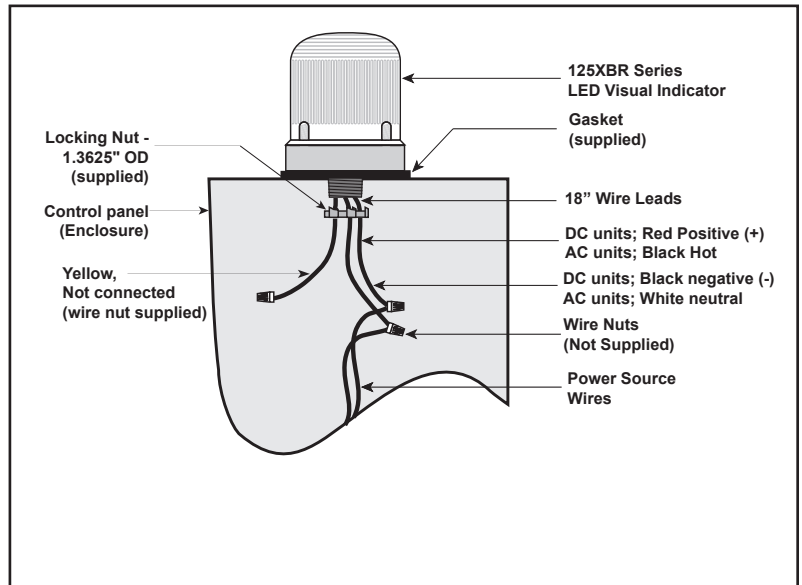
Disconnect power before cleaning. The module lens exterior surfaces should be periodically cleaned with a soft clean cloth using water and a mild detergent to maintain optimum light visibility.

Figure 1. Conduit Mounting (3/4" Shown)



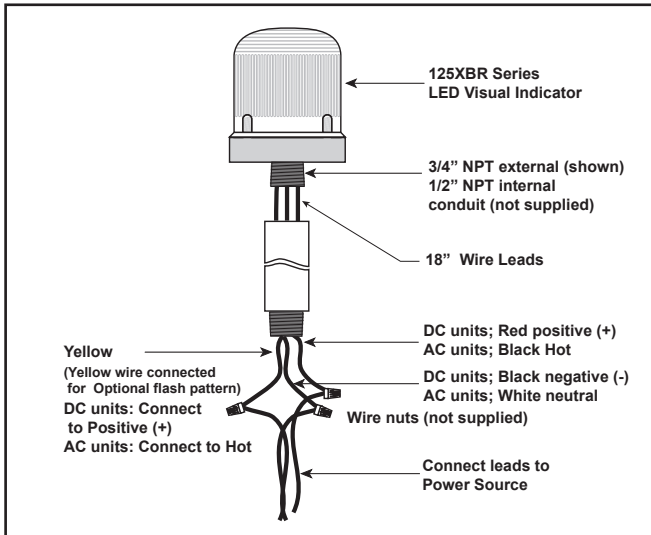
- Wiring for 125XBRM or 125XBRZ Steady-On Mode

Figure 2. Panel Mounting



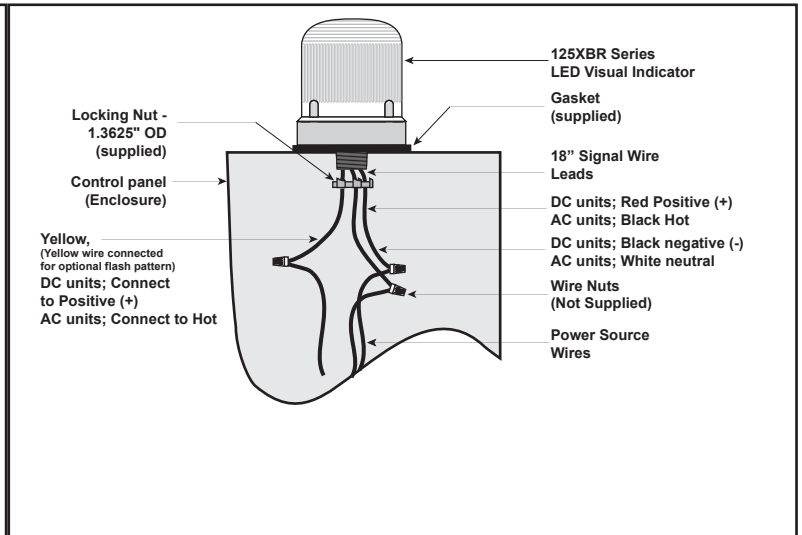
- Wiring for 125XBRM or 125XBRZ Steady-On Mode

Figure 3. Conduit Mounting (3/4" Shown)



- Wiring for 125XBRM Flashing Mode
- Wiring for 125XBRZ Lightburst Mode

Figure 4. Panel Mounting



- Wiring for 125XBRM Flashing Mode
- Wiring for 125XBRZ Lightburst Mode

Table 1. Replacement Parts

GRAY BASE		BLACK BASE	
Catalog Number	Catalog Number	Replacement Lens	Replacement Lamp
Steady-On/65 fpm Flashing LED			
125XBRM*24D	125XBRM*24DB	125L**	The 148,000 hour*** LED light source is permanently installed.
125XBRM*120A	125XBRM*120AB		
Steady-On/Lightburst LED			
125XBRZ*24D	125XBRZ*24DB	125L**	The 148,000 hour*** LED light source is permanently installed.
125XBRZ*120A	125XBRZ*120AB		
*Letter in this position indicates lens/LED color: A - amber, B - blue, G - green, R - red, W - white LED's with clear lens			
**Lens color: A - amber, B - blue, C - clear, G - green, R - red			
**Median LED Life (L70) based on LED manufacturer's projections. Refer to http://www.philipslumileds.com/pdfs/WP15.pdf .			



U.S.
T 800-336-4206
F 800-454-2363

Canada
T 519 376 2430
F 519 376 7258

Asia
T 852 2907 8108
F 852 2142 5063

Australia
T +61 3 9239 1200
F +61 3 9239 1299

Europe
T 32 2 725 11 20
F 32 2 721 86 13

Latin America
T 305 593 4301
F 305 593 4300

www.edwardssignaling.com

X-ON Electronics

Largest Supplier of Electrical and Electronic Components

Click to view similar products for [Edwards Signaling](#) manufacturer:

Other Similar products are found below :

[876-R5](#) [105XBRIRBA120A](#) [E102A](#) [P-041917-0026](#) [874-G5](#) [125XBRMA120AB](#) [50LMP-40W](#) [125LEDFR120A](#) [115-Y](#) [113LMP-10W](#)
[E104A](#) [115-6Y-06K](#) [115-7Y-06K](#) [1085T-G](#) [115-6Y-12K](#)