

Micro Display counter K 04 ... K 07, shock resistant



- 4-, 5-, 6- and 7 digit Micro adding counter
- High shock resistance
- Low power consumption; suitable for battery consumption
- small dimensions
- Large optical figures
- Different viewing possibilities
- Flush mount with integrated spring clip
- PCB-mount versions
- Solderable and wash proof
- Protection IP 65

- Stores value also at power failure
- long service life
- certified (UL Underwriters Laboratories Inc.)

Applications

charge counting, kWh registration alarm systems, compact units, copiers, fuel dispensers, medical equipment, miniature pumps, dosing machines, gates, general event counting

Technical data:

| | | |
|-------------------------------|--------------------------------|-----------------------------------|
| Electrical Connection: | Built-in counter | Flying leads AWG 22 appr. 150 mm |
| | PCB counter: | Solder pins 0,4 x 1,2 mm |
| Power consumption: | at 10 Imp/s (type 0): | appr. 50 mW |
| (at 20 °C and normal voltage) | at 25 Imp/s (type 1): | appr. 250 mW |
| | at 10 Imp/s (type a0): | appr. 800 mVA |
| Rated voltage: | type 0: | 1.5/3/4.5/5/6/12 V DC -10 % +20 % |
| | type 1: | 3/4.5/5/6/12/24 V DC ± 10 % |
| | type 4: | 24 V DC -10 % +20 % |
| | type a0: | 12/24/115/230 V AC ± 10 % |
| Counting frequency: | max. 10 and 25 Imp/s | |
| Pulse duration: | at 10 Imp/s (type 0 and a0): | min. 50 ms |
| | at 25 Imp/s (type 1): | min. 20 ms |
| Pulse interval: | at 10 Imp/s (type 0 and a0): | min. 50 ms |
| | at 25 Imp/s (type 1): | min. 20 ms |
| Cycle duration factor: | 100 % | |
| Number of digits: | 4, 5, 6 and 7 | |
| Counting system | adding | |
| Hight of figures | K 04, K 06: 1,7 x 4 mm optical | |
| | K 05, K 07: 1,2 x 4 mm optical | |
| Colour of figures: | white on black | |
| Reset: | no reset | |

| | |
|---------------------------------|--|
| Ambient temperature: | -10 ... +60 °C |
| Mounting position | any |
| Operating life: | > 50 x 10 ⁶ pulses |
| solderable and wash proof types | K 04.92, K 05.92, K 06.90, K 06.92, K 07.90 |
| Protection: | K 04.92, K 05.92, K 06.90, K 06.92, K 07.90 |
| | K 07.92: IP 65 (K 04.20, K 05.20, K 06.20, K 07.20: IP 65 only front side) others, depending from kind of mounting |
| UL-certified | File E43429 |
| Housing: | clear plastic or steel (see table "Series") types with protection IP 65 are fully sealed enclosure |
| Weight | 15 ... 18 g |
| Options | |
| K 0x.20 | Flat pin 0.5 x 2.8 mm Art.-No.: 1.1X7.XX0.XXX |
| | - different voltages |
| | - version not potted |
| | - different figure colours |
| | - different lengths of flying leads |
| | - different connections |
| | - different temperature range, depends on version -30 ... +85 °C, -20 ... +70 °C |

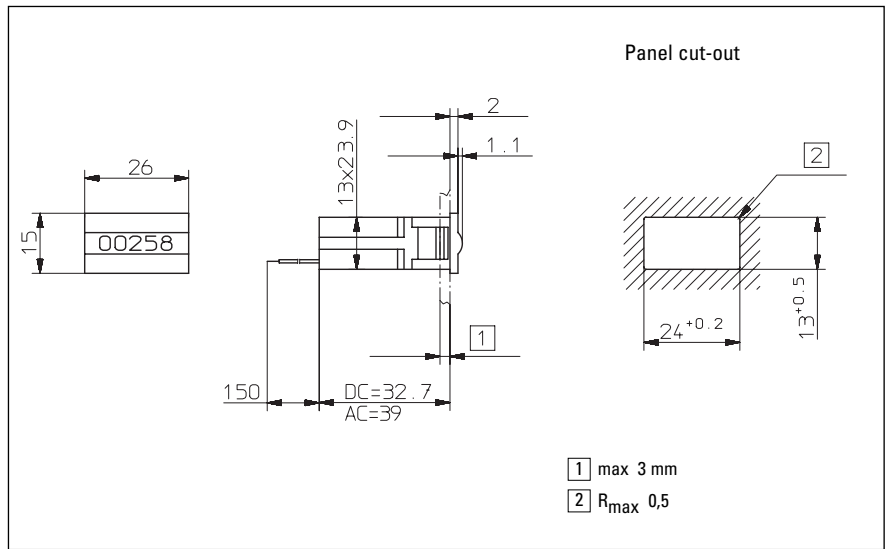
Series:

| 4 digit | 5 digit | 6 digit | 7digit | Housing | Display | Description |
|---------|---------|---------|---------|---------|------------|----------------------|
| K 04.20 | K 05.20 | K 06.20 | K 07.20 | Plastic | Small side | Flush mount |
| K 04.40 | K 05.40 | K 06.40 | K 07.40 | Steel | Large side | PCB mount |
| K 04.50 | K 05.50 | K 06.50 | K 07.50 | Steel | Small side | PCB mount |
| K 04.80 | K 05.80 | K 06.80 | K 07.80 | Plastic | Small side | PCB mount |
| K 06.90 | K 07.90 | | | Plastic | Large side | PCB mount wash proof |
| K 04.92 | K05.92 | K 06.92 | K 07.92 | Plastic | Small side | PCB mount wash proof |

Ordering information

- Article number
- for options please give exact counter type, voltage and options e.g. K 06.20, 9 V DC/0 temperature range -20 °C ... +70 °C

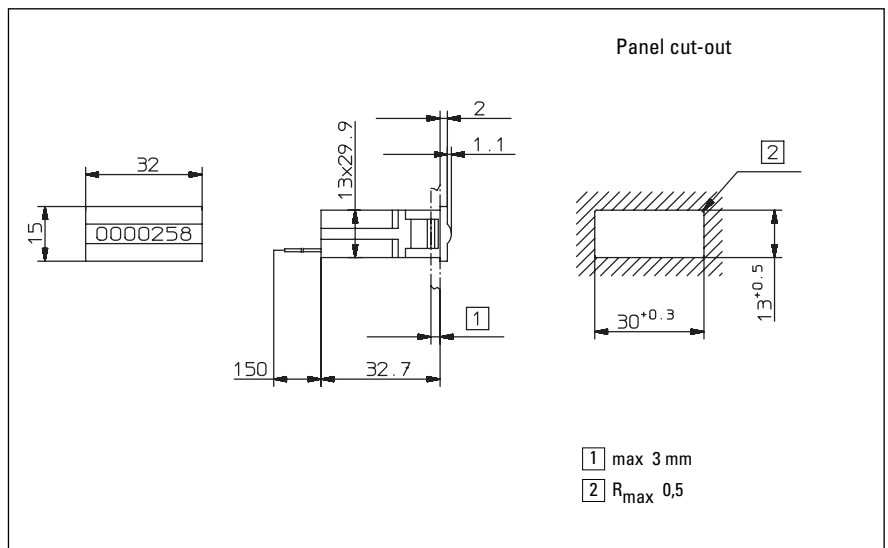
Type K 04.20 and K 05.20



| K 04.20 | 3 V | 4.5 V | 12 V | 24 V | 115 V | 230 V |
|----------------|---------------|---------------|---------------|---------------|---------------|---------------|
| (4 digit) | Art.-No. | Art.-No. | Art.-No. | Art.-No. | Art.-No. | Art.-No. |
| DC (10 Imp/s) | 1.100.200.006 | 1.100.200.008 | 1.100.200.012 | 1.100.200.418 | | |
| DC (25 Imp/s) | | | 1.100.200.032 | 1.100.200.033 | | |
| AC (10 Imp/s) | | | | 1.100.200.051 | 1.100.200.054 | 1.100.200.056 |

| K 05.20 | 3 V | 4.5 V | 12 V | 24 V | 115 V | 230 V |
|----------------|---------------|---------------|---------------|---------------|---------------|---------------|
| (5 digit) | Art.-No. | Art.-No. | Art.-No. | Art.-No. | Art.-No. | Art.-No. |
| DC (10 Imp/s) | 1.110.200.006 | 1.110.200.008 | 1.110.200.012 | 1.110.200.418 | | |
| DC (25 Imp/s) | | | 1.110.200.032 | 1.110.200.033 | | |
| AC (10 Imp/s) | | | | 1.110.200.051 | 1.110.200.054 | 1.110.200.056 |

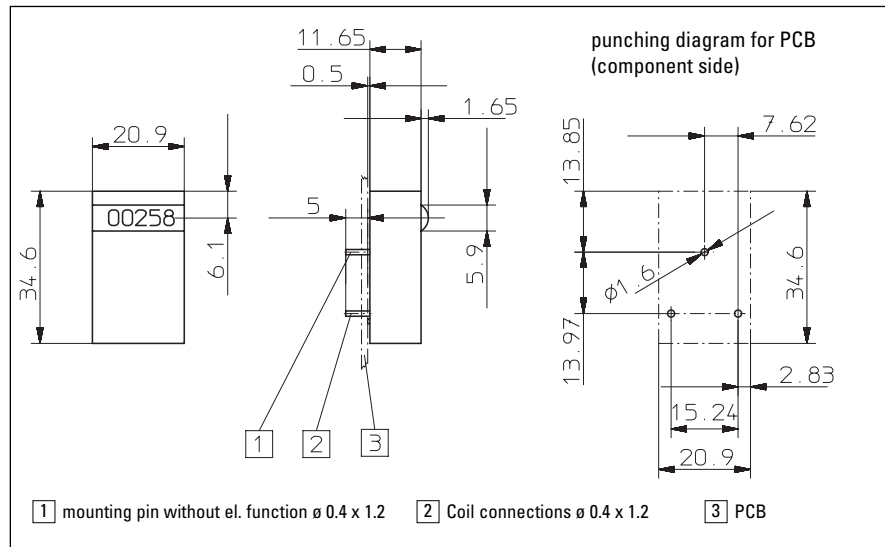
Type K 06.20 and K 07.20



| K 06.20 | 3 V | 4.5 V | 12 V | 24 V | 115 V | 230 V |
|----------------|---------------|---------------|---------------|---------------|---------------|---------------|
| (6 digit) | Art.-No. | Art.-No. | Art.-No. | Art.-No. | Art.-No. | Art.-No. |
| DC (10 Imp/s) | 1.120.200.006 | 1.120.200.008 | 1.120.200.012 | 1.120.200.418 | | |
| DC (25 Imp/s) | | | 1.120.200.032 | 1.120.200.033 | | |
| AC (10 Imp/s) | | | | 1.120.200.051 | 1.120.200.054 | 1.120.200.056 |

| K 07.20 | 3 V | 4.5 V | 12 V | 24 V | 115 V | 230 V |
|----------------|---------------|---------------|---------------|---------------|---------------|---------------|
| (7 digit) | Art.-No. | Art.-No. | Art.-No. | Art.-No. | Art.-No. | Art.-No. |
| DC (10 Imp/s) | 1.130.200.006 | 1.130.200.008 | 1.130.200.012 | 1.130.200.012 | | |
| DC (25 Imp/s) | | | 1.130.200.032 | 1.130.200.033 | | |
| AC (10 Imp/s) | | | | 1.130.200.051 | 1.130.200.054 | 1.130.200.056 |

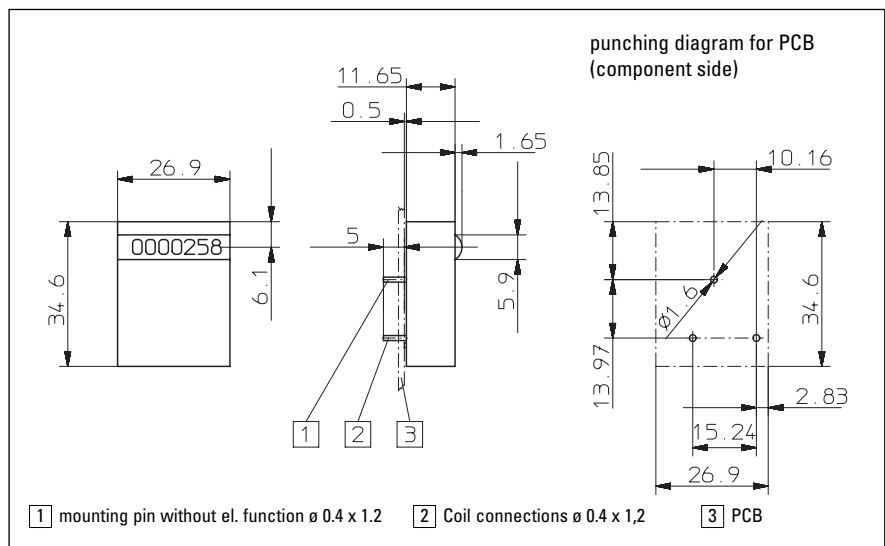
Type K 04.40 and K 05.40



| K 04.40 (4 digit) | 3 V Art.-No. | 4.5 V Art.-No. | 12 V Art.-No. | 24 V Art.-No. |
|-----------------------------|-----------------|-------------------|------------------|------------------|
| DC (10 Imp/s) | 1.100.401.006 | 1.100.401.008 | 1.100.401.012 | 1.100.401.418 |
| DC (25 Imp/s) | | | 1.100.401.032 | 1.100.401.033 |

| K 05.40 (5 digit) | 3 V Art.-No. | 4.5 V Art.-No. | 12 V Art.-No. | 24 V Art.-No. |
|-----------------------------|-----------------|-------------------|------------------|------------------|
| DC (10 Imp/s) | 1.110.401.006 | 1.110.401.008 | 1.110.401.012 | 1.110.401.418 |
| DC (25 Imp/s) | | | 1.110.401.032 | 1.110.401.033 |

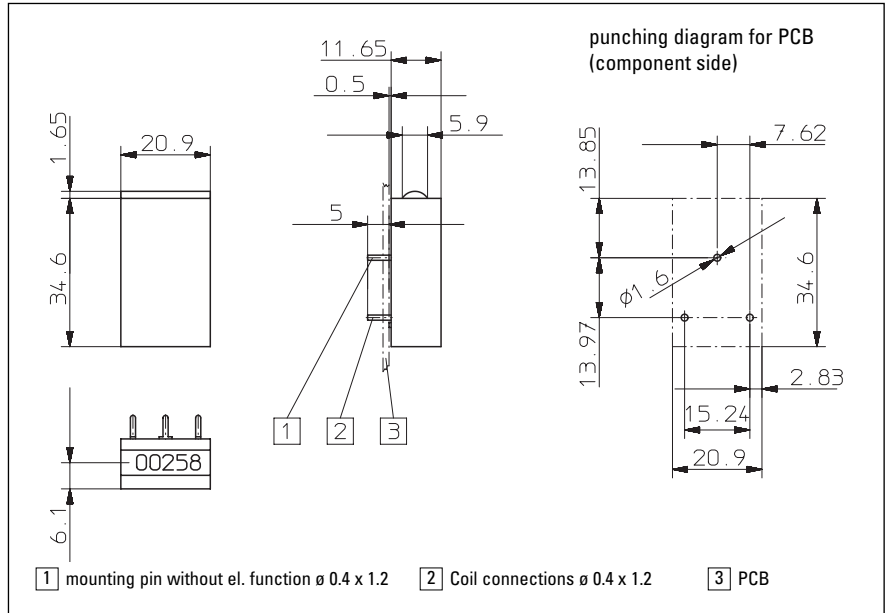
Type K 06.40 and K 07.40



| K 06.40 (6 digit) | 3 V Art.-No. | 4.5 V Art.-No. | 12 V Art.-No. | 24 V Art.-No. |
|-----------------------------|-----------------|-------------------|------------------|------------------|
| DC (10 Imp/s) | 1.120.401.006 | 1.120.401.008 | 1.120.401.012 | |
| DC (25 Imp/s) | | | 1.120.401.032 | 1.120.401.033 |

| K 07.40 (7 digit) | 3 V Art.-No. | 4.5 V Art.-No. | 12 V Art.-No. | 24 V Art.-No. |
|-----------------------------|-----------------|-------------------|------------------|------------------|
| DC (10 Imp/s) | 1.130.401.006 | 1.130.401.008 | 1.130.401.012 | |
| DC (25 Imp/s) | | | 1.130.401.032 | 1.130.401.033 |

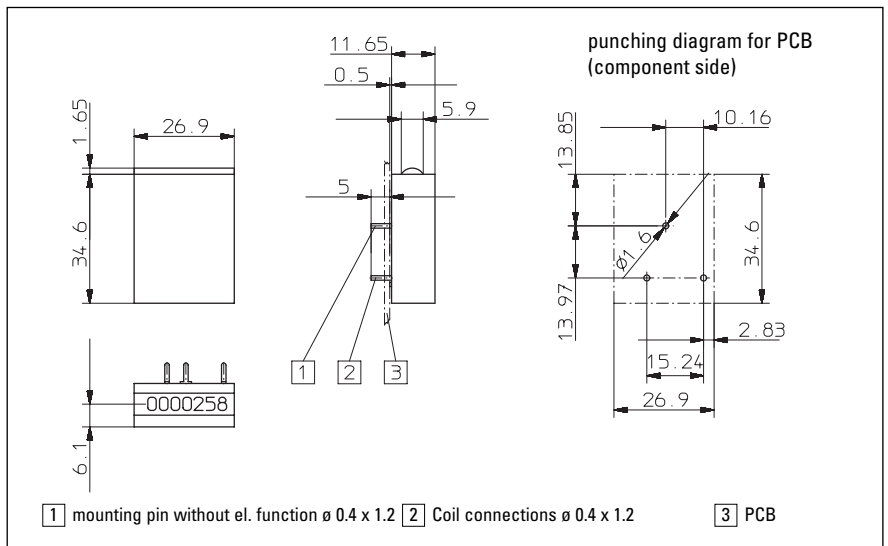
Type K 04.50 and K 05.50



| K 04.50 (4 digit) | 3 V Art.-No. | 4.5 V Art.-No. | 12 V Art.-No. | 24 V Art.-No. |
|----------------------|-----------------|-------------------|------------------|------------------|
| DC (10 Imp/s) | 1.100.501.006 | 1.100.501.008 | 1.100.501.012 | 1.100.501.418 |
| DC (25 Imp/s) | | | 1.100.501.032 | 1.100.501.033 |

| K 05.50 (5 digit) | 3 V Art.-No. | 4.5 V Art.-No. | 12 V Art.-No. | 24 V Art.-No. |
|----------------------|-----------------|-------------------|------------------|------------------|
| DC (10 Imp/s) | 1.110.501.006 | 1.110.501.008 | 1.110.501.012 | 1.110.501.418 |
| DC (25 Imp/s) | | | 1.110.501.032 | 1.110.501.033 |

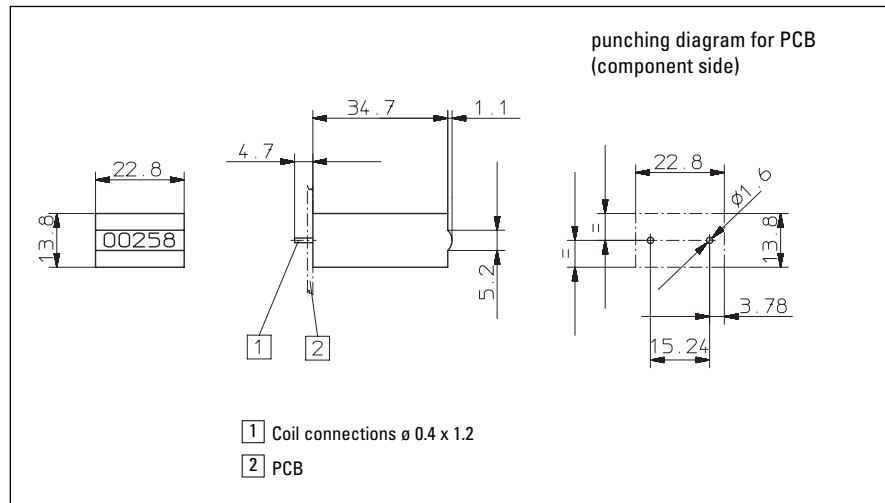
Type K 06.50 and K 07.50



| K 06.50 (6 digit) | 3 V Art.-No. | 4.5 V Art.-No. | 12 V Art.-No. | 24 V Art.-No. |
|----------------------|-----------------|-------------------|------------------|------------------|
| DC (10 Imp/s) | 1.120.501.006 | 1.120.501.008 | 1.120.501.012 | 1.120.501.418 |
| DC (25 Imp/s) | | | 1.120.501.032 | 1.120.501.033 |

| K 07.50 (7 digit) | 3 V Art.-No. | 4.5 V Art.-No. | 12 V Art.-No. | 24 V Art.-No. |
|----------------------|-----------------|-------------------|------------------|------------------|
| DC (10 Imp/s) | 1.130.501.006 | 1.130.501.008 | 1.130.501.012 | 1.130.501.418 |
| DC (25 Imp/s) | | | 1.130.501.032 | 1.130.501.033 |

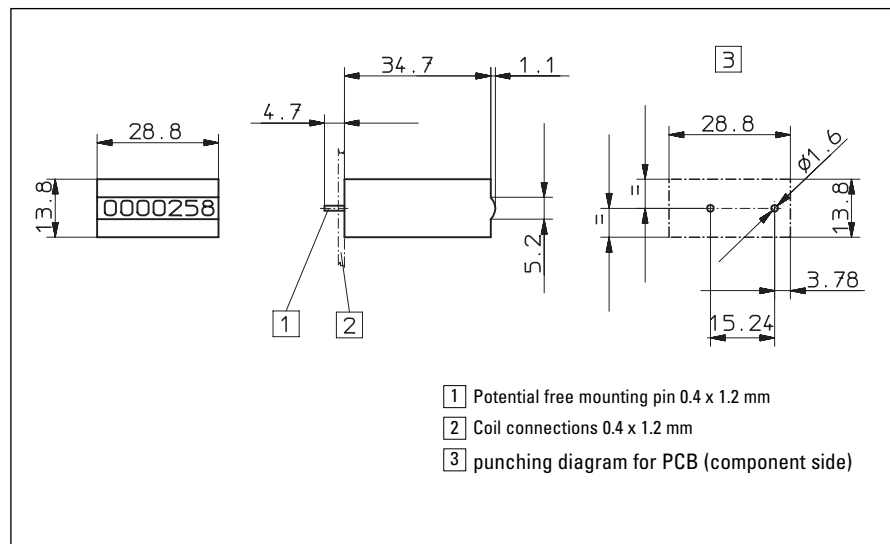
Type K 04.80 and K 05.80



| K 04.80 (4 digit) | 3 V Art.-No. | 4.5 V Art.-No. | 12 V Art.-No. | 24 V Art.-No. |
|-----------------------------|-----------------|-------------------|------------------|------------------|
| DC (10 Imp/s) | 1.100.800.006 | 1.100.800.008 | 1.100.800.012 | 1.100.800.418 |
| DC (25 Imp/s) | | | 1.100.800.032 | 1.100.800.033 |

| K 05.80 (5 digit) | 3 V Art.-No. | 4.5 V Art.-No. | 12 V Art.-No. | 24 V Art.-No. |
|-----------------------------|-----------------|-------------------|------------------|------------------|
| DC (10 Imp/s) | 1.110.800.006 | 1.110.800.008 | 1.110.800.012 | 1.110.800.418 |
| DC (25 Imp/s) | | | 1.110.800.032 | 1.110.800.033 |

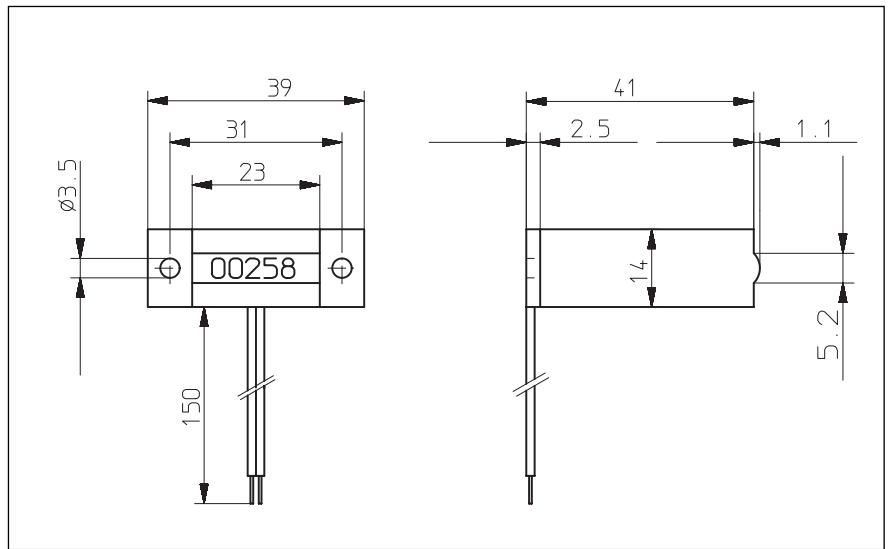
Type K 06.80 and K 07.80



| K 06.80 (6 digit) | 3 V Art.-No. | 4.5 V Art.-No. | 12 V Art.-No. | 24 V Art.-No. | 115 V Art.-No. | 230 V Art.-No. |
|-----------------------------|-----------------|-------------------|------------------|------------------|-------------------|-------------------|
| DC (10 Imp/s) | 1.120.800.006 | 1.120.800.008 | 1.120.800.012 | 1.120.800.418 | | |
| DC (25 Imp/s) | | | 1.120.800.032 | 1.120.800.033 | | |
| AC (10 Imp/s) | | | | 1.120.800.051 | 1.120.800.054 | 1.120.800.056 |

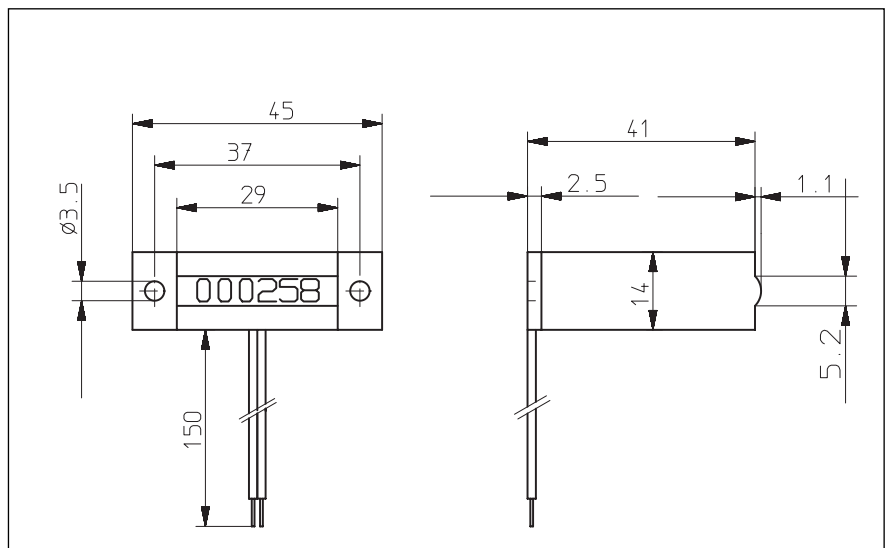
| K 07.80 (7 digit) | 3 V Art.-No. | 4.5 V Art.-No. | 12 V Art.-No. | 24 V Art.-No. | 115 V Art.-No. | 230 V Art.-No. |
|-----------------------------|-----------------|-------------------|------------------|------------------|-------------------|-------------------|
| DC (10 Imp/s) | 1.130.800.006 | 1.130.800.008 | 1.130.800.012 | 1.130.800.418 | | |
| DC (25 Imp/s) | | | 1.130.800.032 | 1.130.800.033 | | |
| AC (10 Imp/s) | | | | 1.130.800.051 | 1.130.800.054 | 1.130.800.056 |

AK 05.00



| AK 05.00 | 3 V | 4.5 V | 12 V | 24 V | 115 V | 230 V |
|---------------|---------------|---------------|---------------|---------------|---------------|---------------|
| (5 digit) | Art.-No. | Art.-No. | Art.-No. | Art.-No. | Art.-No. | Art.-No. |
| DC (10 Imp/s) | 1.110.000.006 | 1.110.000.008 | 1.110.000.012 | 1.110.000.418 | | |
| DC (25 Imp/s) | | | 1.110.000.032 | 1.110.000.033 | | |
| AC (10 Imp/s) | | | | 1.110.000.051 | 1.110.000.054 | 1.110.000.056 |

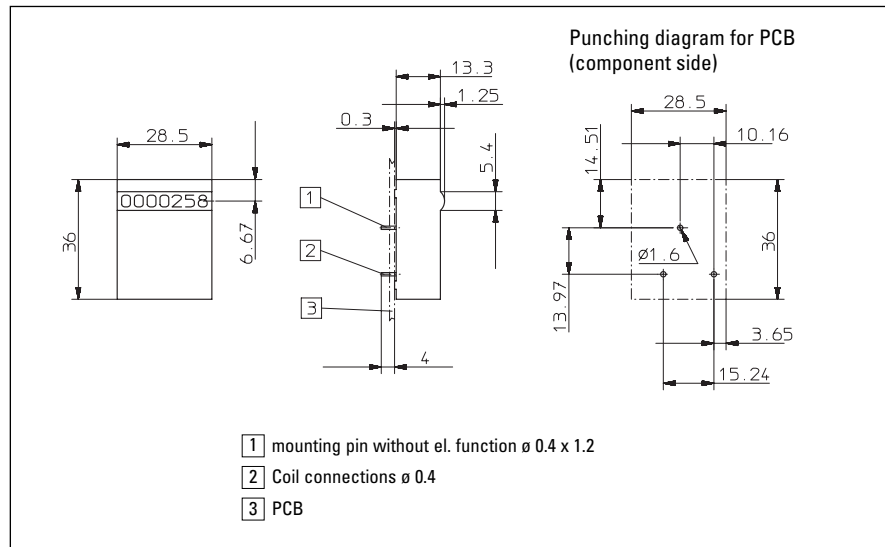
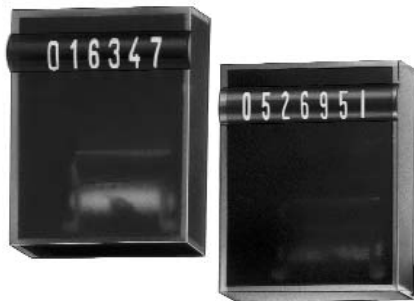
Type AK 06.00 and AK 07.00



| AK 06.00 | 3 V | 4.5 V | 12 V | 24 V | 115 V | 230 V |
|---------------|---------------|---------------|---------------|---------------|---------------|---------------|
| (6 digit) | Art.-No. | Art.-No. | Art.-No. | Art.-No. | Art.-No. | Art.-No. |
| DC (10 Imp/s) | 1.120.000.006 | 1.120.000.008 | 1.120.000.012 | 1.120.000.418 | | |
| DC (25 Imp/s) | | | 1.120.000.032 | 1.120.000.033 | | |
| AC (10 Imp/s) | | | | 1.120.000.051 | 1.120.000.054 | 1.120.000.056 |

| AK 07.00 | 3 V | 4.5 V | 12 V | 24 V | 115 V | 230 V |
|---------------|---------------|---------------|---------------|---------------|---------------|---------------|
| (7 digit) | Art.-No. | Art.-No. | Art.-No. | Art.-No. | Art.-No. | Art.-No. |
| DC (10 Imp/s) | 1.130.000.006 | 1.130.000.008 | 1.130.000.012 | 1.130.000.418 | | |
| DC (25 Imp/s) | | | 1.130.000.032 | 1.130.000.033 | | |
| AC (10 Imp/s) | | | | 1.130.000.051 | 1.130.000.054 | 1.130.000.056 |

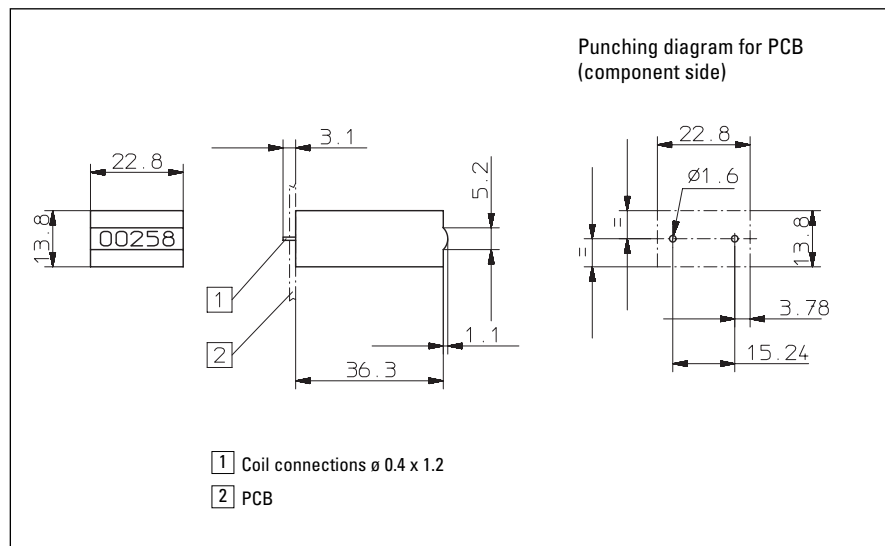
Type K 06.90 and K 07.90



| K 06.90 (6 digit) | 3 V Art.-No. | 4.5 V Art.-No. | 12 V Art.-No. | 24 V Art.-No. | 115 V Art.-No. | 230 V Art.-No. |
|-----------------------------|-----------------|-------------------|------------------|------------------|-------------------|-------------------|
| DC (10 Imp/s) | 1.120.900.006 | 1.120.900.008 | 1.120.900.012 | 1.120.900.418 | | |
| DC (25 Imp/s) | | | 1.120.900.032 | 1.120.900.033 | | |
| AC (10 Imp/s) | | | | 1.120.900.051 | 1.120.900.054 | 1.120.900.056 |

| K 07.90 (7 digit) | 3 V Art.-No. | 4.5 V Art.-No. | 12 V Art.-No. | 24 V Art.-No. | 115 V Art.-No. | 230 V Art.-No. |
|-----------------------------|-----------------|-------------------|------------------|------------------|-------------------|-------------------|
| DC (10 Imp/s) | 1.130.900.006 | 1.130.900.008 | 1.130.900.012 | 1.130.900.418 | | |
| DC (25 Imp/s) | | | 1.130.900.032 | 1.130.900.033 | | |
| AC (10 Imp/s) | | | | 1.130.900.051 | 1.130.900.054 | 1.130.900.056 |

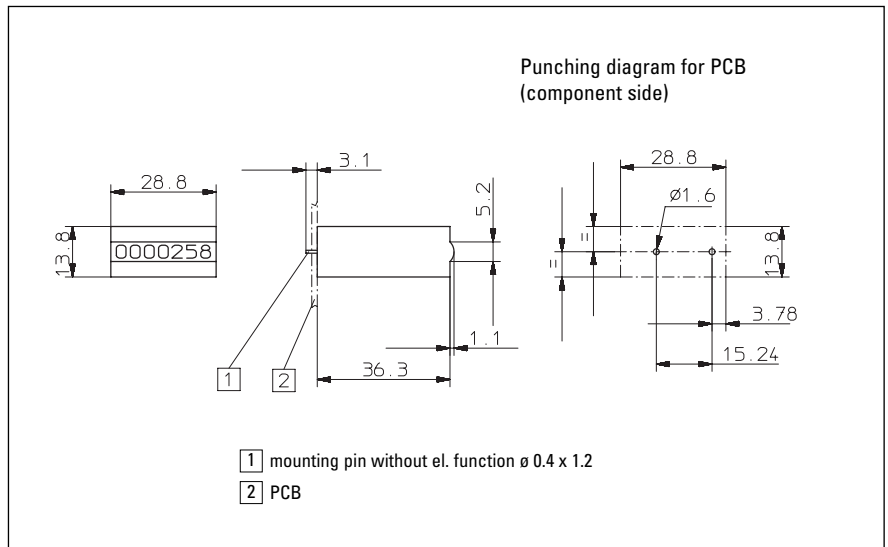
Type K 04.92 and K 05.92



| K 04.92 (4 digit) | 3 V Art.-No. | 4.5 V Art.-No. | 12 V Art.-No. | 24 V Art.-No. |
|-----------------------------|-----------------|-------------------|------------------|------------------|
| DC (10 Imp/s) | 1.100.920.006 | 1.100.920.008 | 1.100.920.012 | 1.100.920.418 |
| DC (25 Imp/s) | | | 1.100.920.032 | 1.100.920.033 |

| K 05.92 (5 digit) | 3 V Art.-No. | 4.5 V Art.-No. | 12 V Art.-No. | 24 V Art.-No. |
|-----------------------------|-----------------|-------------------|------------------|------------------|
| DC (10 Imp/s) | 1.110.920.006 | 1.110.920.008 | 1.110.920.012 | 1.110.920.418 |
| DC (25 Imp/s) | | | 1.110.920.032 | 1.110.920.033 |

Type K 06.92 and K 07.92



| K 06.92 | 3 V | 4.5 V | 12 V | 24 V | 115 V | 230 V |
|----------------|---------------|---------------|---------------|---------------|---------------|---------------|
| (6 digit) | Art.-No. | Art.-No. | Art.-No. | Art.-No. | Art.-No. | Art.-No. |
| DC (10 Imp/s) | 1.120.920.006 | 1.120.920.008 | 1.120.920.012 | | | |
| DC (25 Imp/s) | | | 1.120.920.032 | 1.120.920.033 | | |
| AC (10 Imp/s) | | | | 1.120.920.051 | 1.120.920.054 | 1.120.920.056 |

| K 07.92 | 3 V | 4.5 V | 12 V | 24 V | 115 V | 230 V |
|----------------|---------------|---------------|---------------|---------------|---------------|---------------|
| (7 digit) | Art.-No. | Art.-No. | Art.-No. | Art.-No. | Art.-No. | Art.-No. |
| DC (10 Imp/s) | 1.130.920.006 | 1.130.920.008 | 1.130.920.012 | | | |
| DC (25 Imp/s) | | | 1.130.920.032 | 1.130.920.033 | | |
| AC (10 Imp/s) | | | | 1.130.920.051 | 1.130.920.054 | 1.130.920.056 |

X-ON Electronics

Largest Supplier of Electrical and Electronic Components

Click to view similar products for [kübler](#) manufacturer:

Other Similar products are found below :

[05.2400.1122.0360](#) [3.167.211.075](#) [6.529.012.300](#) [05.2400.1122.0100](#) [3.100.200.383](#) [1.130.000.033](#) [1.150.510.013.550](#) [6.521.012.300](#)
[1.150.510.012.550](#) [3.102.101.383](#)