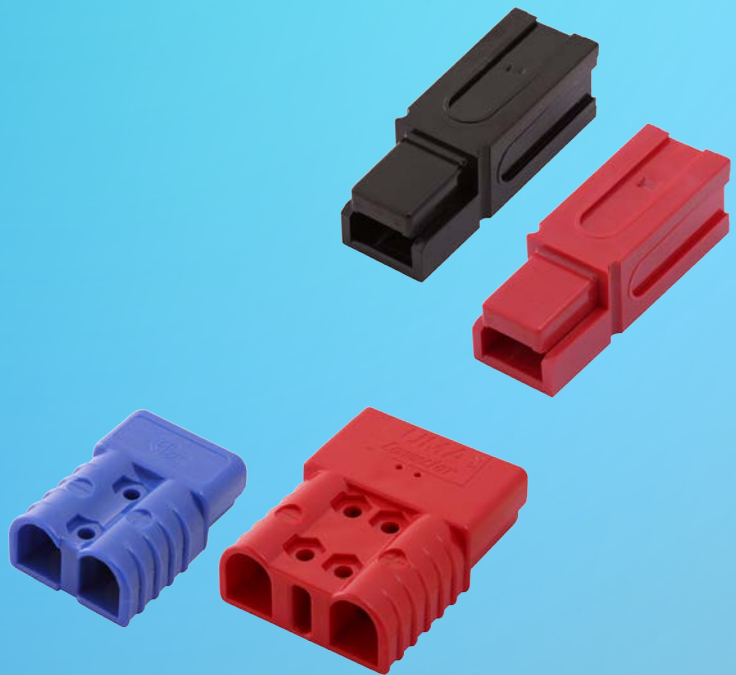


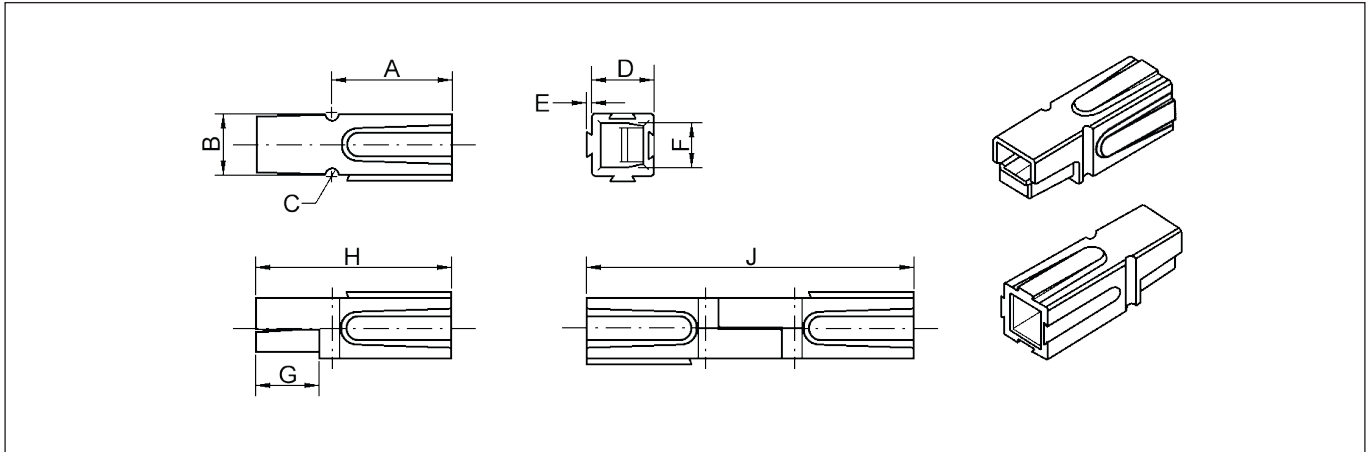
Flat pin Connectors 



Flat pin Connector Series

TECHNICAL SPECIFICATIONS

Housing:	Polycarbonate
Contacts:	Copper
Contact Plating:	Silver
Spring:	Stainless Steel
Flammability Rating:	UL94 V-0
Operating Temperature Range:	-20°C to 105°C
Insulation Withstanding Test:	2200 VDC
Vibration Resistance:	Excellent
Mating Cycles:	10.000 (For disconnect use only)



Model:	A	B	C	D	E	F	G	H	J
15/30 A	14,70	8,40	1,30	7,90	0,50	5,00	8,00	24,60	41,20
75 A	29,70	16,30	2,50	16,0	1,00	11,40	14,70	48,0	81,50
120 A	42,90	22,60	2,50	22,30	1,50	15,20	22,30	69,60	117,10
180 A	54,10	28,70	2,50	28,40	1,50	23,10	25,40	82,60	139,70

Order Codes:

15/30A	Part No:	Colour:
Housings:	1130-0100-01	Blue
	1130-0100-02	Black
	1130-0100-03	White
	1130-0100-04	Red
	1130-0100-05	Green
	1130-0100-06	Grey
Contact pins:	1130-0110-01	10-16 AWG
	1130-0110-02	16-20 AWG

75A	Part No:	Colour:
Housings:	1130-0101-01	Blue
	1130-0101-02	Black
	1130-0101-03	White
	1130-0101-04	Red
	1130-0101-05	Green
	1130-0101-06	Grey
Contact pins:	1130-0111-01	6 AWG
	1130-0111-02	10-12 AWG
	1130-0111-03	8 AWG

120A	Part No:	Colour:
Housings:	1130-0102-01	Blue
	1130-0102-02	Black
	1130-0102-03	White
	1130-0102-04	Red
	1130-0102-05	Green
	1130-0102-06	Grey
Contact pins:	1130-0112-01	2 AWG
	1130-0112-02	4 AWG
	1130-0112-03	6 AWG

180A	Part No:	Colour:
Housings:	1130-0103-01	Blue
	1130-0103-02	Black
	1130-0103-03	White
	1130-0103-04	Red
	1130-0103-05	Green
	1130-0103-06	Grey
Contact pins:	1130-0113-01	1/0 AWG
	1130-0113-02	2 AWG
	1130-0113-03	4 AWG
	1130-0113-04	1 AWG

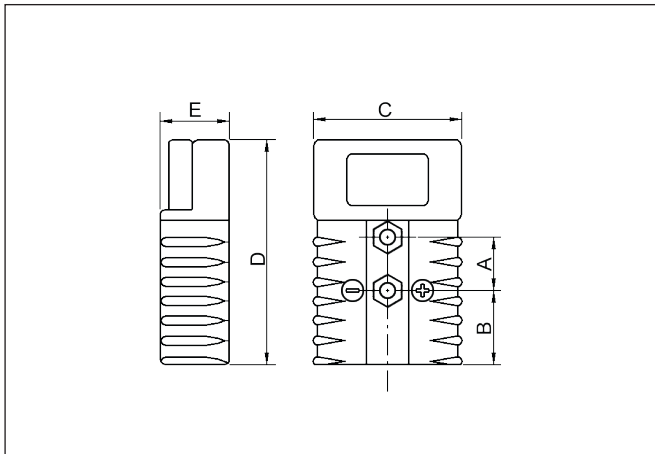
Flat pin Connector Series

TECHNICAL SPECIFICATIONS

Housing:	Polycarbonate
Contacts:	Copper
Contact Plating:	Silver
Spring:	Stainless Steel
Operating Temperature Range:	-20°C to 105°C



ETL Listed
(UL 1977)



Features:

- Recognized by Underwriters Laboratories
- Listed by Canadian Standard Association
- S50 is offered with 6mm² or 16mm² Contacts
- S175 available with 35mm² contacts on request

Model:	A	B	C	D	E
S50	19	6,5	36,5	47,5	11,5
S175	29	11	56	80	19
S350	29	35	70	108	27
U225	28,7	11	54	79,5	16,7

Order Codes:

MODEL:	S50	
Current:	50 Amp	
Wire Size:	6mm ²	16mm ²
Part No:	Colour:	Voltage:
1130-0201-01	Red	24V / 6mm ²
1130-0201-02	Red	24V / 16mm ²
1130-0201-03	Grey	36V / 6mm ²
1130-0201-04	Grey	36V / 16mm ²
1130-0201-05	Black	80V / 6mm ²
1130-0201-06	Black	80V / 16mm ²

MODEL:	S350	
Current:	350 Amp	
Wire Size:	70mm ²	AWG 2/0
Part No:	Colour:	Voltage:
1130-0221-01	Yellow	12V
1130-0221-02	Red	24V
1130-0221-03	Grey	36V
1130-0221-04	Blue	48V
1130-0221-05	Green	72V

MODEL:	S175	
Current:	175 Amp	
Wire Size:	50mm ²	AWG 1/0
Part No:	Colour:	Voltage:
1130-0211-01	Yellow	12V
1130-0211-02	Orange	18V
1130-0211-03	Red	24V
1130-0211-04	Grey	36V
1130-0211-05	Blue	48V
1130-0211-06	Black	80V

MODEL:	U225	
Current:	225 Amp	
Wire Size:	70mm ²	AWG 2/0
Part No:	Colour:	Voltage:
1130-0501-01	Yellow	12V
1130-0501-02	Orange	18V
1130-0501-03	Red	24V
1130-0501-04	Grey	36V
1130-0501-05	Blue	48V

Group Head Office Sweden:

Encitech AB
Rörkullsvägen 4
SE-302 41 HALMSTAD
Sweden

Tel: +46-35-15 13 90
Fax: +46-35-15 13 99
web: www.encitech.se



Sales Office Sweden:

Encitech Connectors AB
Rörkullsvägen 4
SE-302 41 HALMSTAD
Sweden

Tel: +46-35-15 13 90
Fax: +46-35-15 13 99
e-mail: connectors@encitech.com
web: www.encitech.com



www.encitech.com

X-ON Electronics

Largest Supplier of Electrical and Electronic Components

Click to view similar products for [DC Power Connectors](#) category:

Click to view products by [Encitech](#) manufacturer:

Other Similar products are found below :

[1600206-1](#) [163-0301-EX](#) [163-0302](#) [163-0308-EX](#) [163-0310-EX](#) [163-1061-EX](#) [163-1100-EX](#) [163-4024](#) [163-4117-EX](#) [163-4118-EX](#) [163-5005-E](#) [163-7421](#) [163-MJ22-EX](#) [171-0721-EX](#) [171-0725-EX](#) [171-3118-EX](#) [171-3210-E](#) [171-3221-EX](#) [171-3222-EX](#) [171-A1326-EX](#) [173-23507-ST-EX](#) [173-5521TIP-EX](#) [173-6330TIP-EX](#) [KLDVX-SMT-02-ATR](#) [KLDX-0201-AHT-1](#) [KLDX-0202-AHT](#) [KLDX-SMT-0202-BP](#) [KLDX-SMT-0202-BPTR](#) [163-0179-EX](#) [163-0307-E](#) [163-0309-EX](#) [163-4007-EX](#) [163-4015-EX](#) [163-4025](#) [163-4119-E](#) [163-4303-E](#) [16PJ101-EX](#) [171-0702-EX](#) [171-0722-E](#) [171-0726-EX](#) [171-2122-EX](#) [171-3216-EX](#) [171-3218-EX](#) [171-3219-EX](#) [171-3220-EX](#) [171-7391](#) [173-3413-ST-EX](#) [173-4017-ST-EX](#) [RAPCBRK](#) [K596](#)