

INDUSTRIAL—ENVIRONMENTALLY SEALED SWITCHES

Series—8510, 8511, 8512

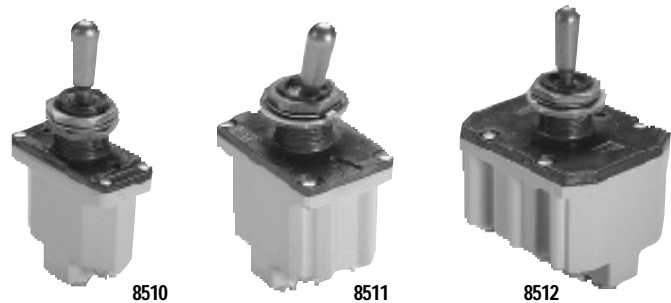
Environmentally Sealed Toggle Switches

FEATURES	SPECIFICATIONS	CURRENT RATINGS								
		No. of Poles	Catalog Number	Type of Operation	28VDC			115VAC 60 or 400Hz		
					Lamp Load	Resistive Load	Inductive Load	Lamp Load	Resistive Load	Inductive Load
<ul style="list-style-type: none"> Completely sealed against dust, moisture, and other contaminants 1, 2 and 4 pole circuitry One hole mounting for easy installation Multi-circuits offered 2 & 3 position with maintained and momentary action Molded-in terminal inserts Molded-in terminal numbers See 8520-8528 for UL recognized and CSA certified version on page 13. 	<ul style="list-style-type: none"> Watertight seal per MIL-STD-108E exceeds IP66/67 Thermoset molding materials meet flame retardant requirements Temperature Range: -50°F to +150°F (-46°C to +66°C) Life: 20,000 operations at rated load Bushing: 15/32" - 32 thread 	1	8510	Maintained	5	20	15	3	15	10
				Momentary	4	15	10	2	15	7
		2	8511	Maintained	7	20	15	4	15	15
				Momentary	5	18	10	2	11	8
		4	8512	Maintained	5	20	12	4	15	15
				Momentary	4	18	10	2	11	8

TOGGLE SWITCHES

SELECTION TABLE

FLUSH TERMINAL SCREWS



CIRCUIT WITH LEVER IN...			ONE POLE	TWO POLE	FOUR POLE
Up Position	Center Position	Down Position (Keyway)	Catalog Number	Catalog Number	Catalog Number
ON	OFF	ON	8510K1	8511K1	8512K1
ON	NONE	OFF	K9	K9	K9
ON	NONE	ON	K4	K4	K4
ON	OFF	NONE	K6	K6	K6
ON	OFF*	NONE	K8	K8	K8
ON	NONE	ON*	8510K5	8511K5	8512K5
* ON	OFF	ON*	K2	K2	K2
NONE	OFF	ON*	K7	K7	K7
ON	NONE	OFF*	K10	K10	K10
OFF	NONE	ON*	K11	K11	K11
ON	OFF	ON*	8510K3	8511K3	8512K3
* ON	ON	NONE	K12	K12	K12
ON	ON	NONE	K13	K13	K13
ON	ON	ON		8511K14	8512K15
ON	ON	ON*		K15	K16
* ON	ON	ON*		K16	K17

*Momentary contact.
See Page 73 for circuit diagrams.

INDUSTRIAL—ENVIRONMENTALLY SEALED SWITCHES

Series—8520-8522, 8526-8528

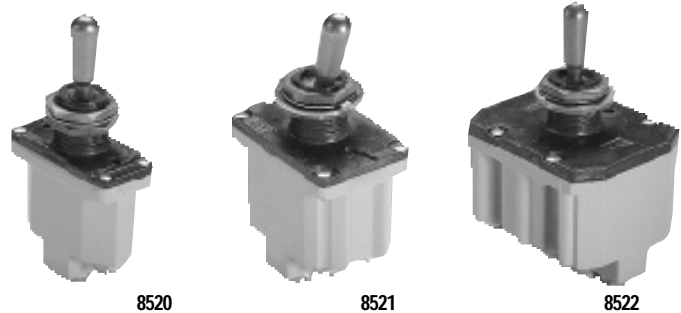
Environmentally Sealed Toggle Switches
UL Recognized and CSA Certified

FEATURES	SPECIFICATIONS	CURRENT RATINGS						
		No. of Poles	Catalog Number	Amperes		Maximum Horsepower		
125V	250V			1 Phase		3 Phase		
		125VAC	250VAC	125/250VAC	250VAC	125/250VAC		
<ul style="list-style-type: none"> Completely sealed against dust, moisture, and other contaminants UL and CSA approved One hole mounted bushing for easy installation Multi-circuits offered 2 & 3 position with maintained and momentary action Molded-in terminal inserts and terminal numbers 1, 2 and 4 pole circuitry 	<ul style="list-style-type: none"> Watertight seal per MIL-STD-108E exceeds IP66/67 Thermoset molding materials meet flame retardant requirements UL recognized and CSA certified per specifications listed below Temperature Range: -50°F to +150°F (-46°C to +66°C) Life: 20,000 operations at rated load 40,000 operations mechanical life 6,000 operations at HP ratings per UL and CSA requirements Bushing: 15/32" - 32 thread 							
		1	8520	18	9	1/4	1/2	–
		2	8521	18	9	1/2	1	–
		4	8522	18	9	1/2	1	1
		1,2,4	8526 thru 8528	18	9	–	–	–

TOGGLE SWITCHES

SELECTION TABLE

FLUSH TERMINAL SCREWS



CIRCUIT WITH LEVER IN...			ONE POLE	TWO POLE	FOUR POLE
Up Position	Center Position	Down Position (Keyway)	Catalog Number	Catalog Number	Catalog Number
ON	OFF	ON	8520K1	8521K1	8522K1
ON	NONE	OFF	K9	K9	K9
ON	NONE	ON	K4	K4	K4
ON	NONE	ON*	8526K5	8527K5	8528K5
ON	OFF	ON	K2	K2	K2
ON	OFF	ON*	8526K3	8527K3	8528K3

*Momentary contact.
See Page 73 for circuit diagrams.

UL & CSA Approval Numbers

UL – Where devices are UL recognized, recognition is listed under file number E15346; Guide card number is W0YR2.
CSA – Where devices are CSA certified; certification number is LR40068, class number 6241.

INDUSTRIAL—ENVIRONMENTALLY SEALED SWITCHES

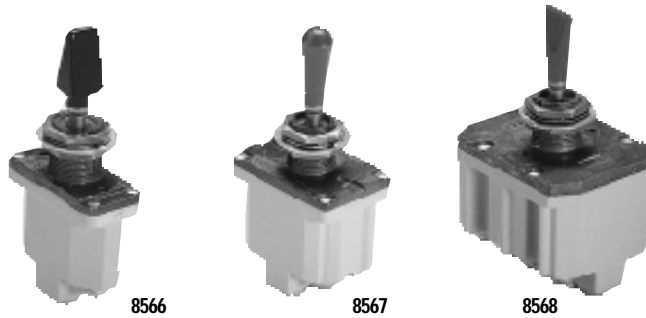
Series—8566, 8567, 8568 Environmentally Sealed Designerline Toggle Switches

FEATURES	SPECIFICATIONS	No. of Poles	Catalog Number	Type of Operation	CURRENT RATINGS					
					28VDC			115VAC 60 or 400Hz		
					Lamp Load	Resistive Load	Inductive Load	Lamp Load	Resistive Load	Inductive Load
<ul style="list-style-type: none"> Completely sealed against dust, moisture, and other contaminants Variety of lever styles and colors One hole mounting for easy installation 2 & 3 position with maintained and momentary action 1, 2 and 4 pole circuitry Molded-in terminal inserts and terminal numbers Coded shaped levers for operator feel and cosmetic appearance 	<ul style="list-style-type: none"> Watertight seal per MIL-STD-108E exceeds IP 66/67 Bushing: 15/32" - 32 thread Temperature Range: -50°F to +150°F (-46°C to +66°C) Life: 20,000 operations at rated load 40,000 operations mechanical life Thermoset molding materials meet flame retardant requirements 	1	8566	Maintained Momentary	5	20	15	3	15	10
					4	15	10	2	15	7
		2	8567	Maintained Momentary	7	20	15	4	15	15
					5	18	10	2	11	8
		4	8568	Maintained Momentary	5	20	12	4	15	15
					4	18	10	2	11	8

TOGGLE SWITCHES

SELECTION TABLE

FLUSH SCREW TERMINALS



CIRCUIT WITH LEVER IN...			ONE POLE	TWO POLE	FOUR POLE	LEVER SUFFIXES ①		
Up Position	Center Position	Down Position (Keyway)	Catalog Number	Catalog Number	Catalog Number	Shape ②	Color Letter	Suffix Number
			8566K1	8567K1	8568K1	All	White	21
ON	OFF	ON	K9	K9	K9			
ON	NONE	OFF	K4	K4	K4			
ON	NONE	ON	K6	K6	K6			
ON	OFF*	NONE	K8	K8	K8			
ON	NONE	ON*	8566K5	8567K5	8568K5	All	Red	22
ON	OFF	ON	K2	K2	K2			
NONE	OFF	ON*	K7	K7	K7			
ON	NONE	OFF*	K10	K10	K10			
OFF	NONE	ON*	K11	K11	K11			
ON	OFF	ON*	8566K3	8567K3	8568K3	All	Blue	26
*ON	ON	NONE	K12	K12	K12			
ON	ON	NONE	K13	K13	K13			
ON	ON	ON		8567K14	8568K15	All	Black	27
ON	ON	ON*		K15	K16			
ON	ON	ON		K16	K17			

*Momentary contact.

See Page 73 for circuit diagrams.

① A complete catalog number consists of a basic switch number followed by a lever shape suffix letter and a two-digit lever color suffix number. Example: 8566K1C21.

② Select lever shape suffix letter from Page 18.

ECONOSWITCH—ENVIRONMENTALLY SEALED SWITCHES

Series—8530, 8531, 8532

Econoswitch Sealed Toggle Switches

FEATURES	SPECIFICATIONS	CURRENT RATINGS								
		No. of Poles	Catalog Number	Type of Operation	28VDC			115VAC 60 or 400Hz		
					Lamp Load	Resistive Load	Inductive Load	Lamp Load	Resistive Load	Inductive Load
<ul style="list-style-type: none"> Environmentally sealed 1, 2 and 4 pole Circuitry One hole mounting for easy installation Multi-circuits 2 & 3 position with maintained and momentary action Three types of termination offered as standard 	<ul style="list-style-type: none"> Watertight seal per MIL-STD-108E exceeds IP 66/67 UL recognized and CSA certified Three standard types of terminals <ul style="list-style-type: none"> screw 6-32 UNC-2A solder lug .125 [3,17] dia. hole spade .250 [6,35] x .032 [0,81] thick Life: 50,000 operations at rated load. 100,000 operations mechanical life. Temperature Range: -50°F to +150°F (-46°C to +66°C) 	1	8530	Maintained Momentary	5 4	20 15	15 10	3 2	15 15	10 7
		2	8531	Maintained Momentary	7 5	20 18	15 10	4 2	15 11	15 8
		4	8532	Maintained Momentary	5 4	20 18	12 10	4 2	15 11	15 8

For the UL/CSA ratings see page 72.

TOGGLE SWITCHES

STANDARD LEVER SELECTION TABLE

	CIRCUIT WITH LEVER IN...			CATALOG NUMBER		
	Up Position	Center Position	Down Position (Keyway)	Screw Terminals	Solder Lug Terminals	Spade Terminals
<p>8530</p>	ONE POLE					
	ON	OFF	ON	8530K1	8530K91	8530K31
	ON	NONE	OFF	K9	K99	K39
	ON	NONE	ON	K4	K94	K34
	ON	OFF	NONE	K6	K96	K36
	ON	OFF*	NONE	K8	K98	K38
	ON	NONE	ON*	8530K5	8530K95	8530K35
	* ON	OFF	ON*	K2	K92	K32
	NONE	OFF	ON*	K7	K97	K37
	ON	NONE	OFF*	K10	K910	K310
	OFF	NONE	ON*	K11	K911	K311
	ON	OFF	ON*	8530K3	8530K93	8530K33
	* ON	ON	NONE	K12	K912	K312
	ON	ON	NONE	K13	K913	K313
	ON	ON	ON	K14	K914	K314
ON	ON	ON*	K15	K915	K315	
<p>8531</p>	TWO POLE					
	ON	OFF	ON	8531K1	8531K91	8531K31
	ON	NONE	OFF	K9	K99	K39
	ON	NONE	ON	K4	K94	K34
	ON	OFF	NONE	K6	K96	K36
	ON	OFF*	NONE	K8	K98	K38
	ON	NONE	ON*	8531K5	8531K95	8531K35
	* ON	OFF	ON*	K2	K92	K32
	NONE	OFF	ON*	K7	K97	K37
	ON	NONE	OFF*	K10	K910	K310
	OFF	NONE	ON*	K11	K911	K311
	ON	OFF	ON*	8531K3	8531K93	8531K33
	* ON	ON	NONE	K12	K912	K312
	ON	ON	NONE	K13	K913	K313
	ON	ON	ON	K14	K914	K314
ON	ON	ON*	K15	K915	K315	
* ON	ON	ON*	8531K16	8531K916	8531K316	
ON	ON	ON	K17	K917	K317	
ON	ON	ON*	K18	K918	K318	
* ON	ON	ON*	K19	K919	K319	
<p>8532</p>	FOUR POLE					
	ON	OFF	ON	8532K1	8532K91	8532K31
	ON	NONE	OFF	K9	K99	K39
	ON	NONE	ON	K4	K94	K34
	ON	OFF	NONE	K6	K96	K36
	ON	OFF*	NONE	K8	K98	K38
	ON	NONE	ON*	8532K5	8532K95	8532K35
	* ON	OFF	ON*	K2	K92	K32
	NONE	OFF	ON*	K7	K97	K37
	ON	NONE	OFF*	K10	K910	K310
	OFF	NONE	ON*	K11	K911	K311
	ON	OFF	ON*	8532K3	8532K93	8532K33
	* ON	ON	NONE	K12	K912	K312
	ON	ON	NONE	K13	K913	K313
	ON	ON	ON	K15	K915	K315
ON	ON	ON*	K16	K916	K316	
* ON	ON	ON*	K17	K917	K317	

* Momentary contact.
See Page 73 for circuit diagrams.



ECONOSWITCH—ENVIRONMENTALLY SEALED SWITCHES

Series—8536, 8537, 8538

Econoswitch Sealed Leverlock Toggle Switches

FEATURES

- Environmentally sealed
- 1, 2, and 4 pole circuitry
- Locking actuator for safety
- One hole mounting for easy installation
- Over 25 standard locking configurations to choose from
- 2 & 3 position with maintained and momentary action
- Three types of termination offered as standard

SPECIFICATIONS

- Watertight seal per MIL-STD-108E exceeds IP66/67
- UL recognized and CSA certified
- Temperature range: -50°F to +150°F (-46°C to +66°C)
- Life: 50,000 operations at rated load
100,000 operations mechanical life
- Bushing: 15/32" - 32 thread

CURRENT RATINGS

No. of Poles	Catalog Number	Type of Operation	28VDC			115VAC 60 or 400Hz		
			Lamp Load	Resistive Load	Inductive Load	Lamp Load	Resistive Load	Inductive Load
1	8536	Maintained Momentary	5	20	15	3	15	10
			4	15	10	2	15	7
2	8537	Maintained Momentary	7	20	15	4	15	15
			5	18	10	2	11	8
4	8538	Maintained Momentary	5	20	12	4	15	15
			4	18	10	2	11	8

For the UL/CSA ratings see page 72.

TOGGLE SWITCHES

LEVER LOCK SELECTION TABLE

	CIRCUIT WITH LEVER IN...			CATALOG NUMBER			
	Up Position	Center Position	Down Position (Keyway)	Screw Terminals	Solder Lug Terminals	Spade Terminals	Available Locking Configurations
8536 	ONE POLE						
	ON	OFF	ON	8536K1	8536K91	8536K31	ALL
	ON	NONE	OFF	K9	K99	K39	D, F, G
	ON	NONE	ON	K4	K94	K34	D, F, G
	ON	OFF	NONE	K6	K96	K36	E, F, K, M
	ON	OFF*	NONE	K8	K98	K38	F
	ON	NONE	ON*	8536K5	853K95	8536K35	F
	ON	OFF	ON	K2	K92	K32	E, L, N
	NONE	OFF	ON*	K7	K97	K37	E
	ON	NONE	OFF*	K10	K910	K310	F
	OFF	NONE	ON*	K11	K911	K311	F
	ON	OFF	ON*	8536K3	8536K93	8536K33	E, F, K, L, M, N
	*ON	ON	NONE	K12	K912	K312	E
	ON	ON	NONE	K13	K913	K313	E, F, K, M
	8537 	TWO POLE					
ON		OFF	ON	8537K1	8537K91	8537K31	ALL
ON		NONE	OFF	K9	K99	K39	D, F, G
ON		NONE	ON	K4	K94	K34	D, F, G
ON		OFF	NONE	K6	K96	K36	E, F, K, M
ON		OFF*	NONE	K8	K98	K38	F
ON		NONE	ON*	8537K5	8537K95	8537K35	F
ON		OFF	ON	K2	K92	K32	E, L, N
NONE		OFF	ON*	K7	K97	K37	E
ON		NONE	OFF*	K10	K910	K310	F
OFF		NONE	ON*	K11	K911	K311	F
ON		OFF	ON*	8537K3	8537K93	8537K33	E, F, K, L, M, N
*ON		ON	NONE	K12	K912	K312	E
ON		ON	NONE	K13	K913	K313	E, F, K, M
ON		ON	ON	8537K14	8537K914	8537K314	ALL
ON	ON	ON*	K15	K915	K315	E, F, K, L, M, N	
ON	ON	ON	K16	K916	K316	E, L, N	
8538 	FOUR POLE						
	ON	OFF	ON	8538K1	8538K91	8538K31	ALL
	ON	NONE	OFF	K9	K99	K39	D, F, G
	ON	NONE	ON	K4	K94	K34	D, F, G
	ON	OFF	NONE	K6	K96	K36	E, F, K, M
	ON	OFF*	NONE	K8	K98	K38	F
	ON	NONE	ON*	8538K5	8538K95	8538K35	F
	ON	OFF	ON	K2	K92	K32	E, L, N
	NONE	OFF	ON	K7	K97	K37	E
	ON	NONE	OFF*	K10	K910	K310	F
	OFF	NONE	ON*	K11	K911	K311	F
	ON	OFF	ON*	8538K3	8538K93	8538K33	E, F, K, L, M, N
	*ON	ON	NONE	K12	K912	K312	E
	ON	ON	NONE	K13	K913	K313	E, F, K, M
	ON	ON	ON	8538K15	8538K915	8538K315	ALL
ON	ON	ON*	K16	K916	K316	E, F, K, L, M, N	
ON	ON	ON	K17	K917	K317	E, L, N	

* Momentary contact.

Complete part number requires this symbol to be replaced with a locking configuration letter—selected from Page 24.

Example: **8536K31** Δ **E** **8536K31E**
 Basic Switch Locking Style Complete Part Number

See page 73 for circuit diagrams.

ECONOSWITCH—ENVIRONMENTALLY SEALED SWITCHES

Series—8533, 8534, 8535

Econoswitch Sealed Designerline Toggle Switches

FEATURES	SPECIFICATIONS	CURRENT RATINGS								
		No. of Poles	Catalog Number	Type of Operation	28VDC			115VAC 60 or 400Hz		
					Lamp Load	Resistive Load	Inductive Load	Lamp Load	Resistive Load	Inductive Load
<ul style="list-style-type: none"> Environmentally sealed 1, 2, and 4 pole circuitry One hole mounting for easy installation Variety of lever styles and colors Coded shaped levers for operator feel and cosmetic appearance. 2 & 3 position with maintained and momentary action Three types of termination offered as standard Also available with toggle and lever lock actuators. For details see page 19 for toggles and 22 for lever locks. 	<ul style="list-style-type: none"> Watertight seal per MIL-STD-108E exceeds IP 66/67 UL recognized and CSA certified Bushing: 15/32" - 32 thread Temperature range: -50°F to +150°F (-46°C to +66°C) Life: 50,000 operations at rated load 100,000 operations mechanical life 	1	8533	Maintained Momentary	5 4	20 15	15 10	3 2	15 15	10 7
		2	8534	Maintained Momentary	7 5	20 18	15 10	4 2	15 11	15 8
		4	8535	Maintained Momentary	5 4	20 18	12 10	4 2	15 11	15 8

For the UL/CSA ratings see page 72.

TOGGLE SWITCHES

SELECTION TABLE

	CIRCUIT WITH LEVER IN...			CATALOG NUMBER					
	Up Position	Center Position	Down Position (Keyway)	Screw Terminals ①	Solder Lug Terminals ①	Spade Terminals ①	Shape Suffix ②	Color Letter	Suffix Number
<p>8533</p>	ONE POLE								
	ON	OFF	ON	8533K1	8533K91	8533K31			
	ON	NONE	OFF	K9	K99	K39			
	ON	NONE	ON	K4	K94	K34	All	White	21
	ON	OFF	NONE	K6	K96	K36		Grey	23
	ON	OFF*	NONE	K8	K98	K38			
	ON	NONE	ON*	8533K5	8533K95	8533K35	All	Red	22
	ON	OFF	ON	K2	K92	K32		Green	24
	NONE	OFF	ON*	K7	K97	K37			
	ON	NONE	OFF*	K10	K910	K310		Yellow	25
	OFF	NONE	ON*	K11	K911	K311	All	Black	27
	ON	OFF	ON*	8533K3	8533K93	8533K33		Blue	26
*ON	ON	NONE	K12	K912	K312				
ON	ON	NONE	K13	K913	K313				
<p>8534</p>	TWO POLE								
	ON	OFF	ON	8534K1	8534K91	8534K31			
	ON	NONE	OFF	K9	K99	K39			
	ON	NONE	ON	K4	K94	K34	All	White	21
	ON	OFF	NONE	K6	K96	K36			
	ON	OFF*	NONE	K8	K98	K38			
	ON	NONE	ON*	8534K5	8534K95	8534K35		Grey	23
	ON	OFF	ON	K2	K92	K32			
	NONE	OFF	ON*	K7	K97	K37	All	Red	22
	ON	NONE	OFF*	K10	K910	K310		Green	24
	OFF	NONE	ON*	K11	K911	K311			
	ON	OFF	ON*	8534K3	8534K93	8534K33		Yellow	25
*ON	ON	NONE	K12	K912	K312	All	Black	27	
ON	ON	NONE	K13	K913	K313		Blue	26	
ON	ON	ON	8534K14	8534K914	8534K314				
ON	ON	ON*	K15	K915	K315				
ON	ON	ON	K16	K916	K316				
<p>8535</p>	FOUR POLE								
	ON	OFF	ON	8535K1	8535K91	8535K31			
	ON	NONE	OFF	K9	K99	K39			
	ON	NONE	ON	K4	K94	K34	All	White	21
	ON	OFF	NONE	K6	K96	K36		Grey	23
	ON	OFF*	NONE	K8	K98	K38			
	ON	NONE	ON*	8535K5	8535K95	8535K35			
	ON	OFF	ON	K2	K92	K32	All	Red	22
	NONE	OFF	ON*	K7	K97	K37			
	ON	NONE	OFF*	K10	K910	K310		Green	24
	OFF	NONE	ON*	K11	K911	K311			
	ON	OFF	ON*	8535K3	8535K93	8535K33		Yellow	25
*ON	ON	NONE	K12	K912	K312	All	Black	27	
ON	ON	NONE	K13	K913	K313		Blue	26	
ON	ON	ON	8535K15	8535K915	8535K315				
ON	ON	ON*	K16	K916	K316				
ON	ON	ON	K17	K917	K317				

* Momentary contact.

① A complete catalog number consists of a basic switch number followed by a lever shape suffix letter and a two-digit lever color suffix number. Example: 8533K91E27
See page 73 for circuit diagrams.

② Select lever shape suffix letter from Page 27.



MILITARY—ENVIRONMENTALLY SEALED SWITCHES

Series—8500, 8501, 8502

MIL-S-3950 Toggle Switches

FEATURES	SPECIFICATIONS	CURRENT RATINGS								
		No. of Poles	Catalog Number	Type of Operation	28VDC			115VAC 60 or 400Hz		
					Lamp Load	Resistive Load	Inductive Load	Lamp Load	Resistive Load	Inductive Load
<ul style="list-style-type: none"> Environmentally sealed 1, 2, and 4 pole circuitry 2 & 3 position with maintained and momentary action Molded-in terminal inserts and terminal numbers Environmentally sealed per MIL-S-3950 	<ul style="list-style-type: none"> MS approved and QPL'd per MIL-S-3950 Thermoset molding materials meet flame retardant requirements Bushing: 15/32" - 32 thread Temperature Range: -85°F to +160°F (-65°C to +71°C) Life: 20,000 operations at rated load 40,000 operations mechanical life 	1	8500	Maintained Momentary	5	20	15	3	15	10
					4	15	10	2	15	7
		2	8501	Maintained Momentary	7	20	15	4	15	15
					5	18	10	2	11	8
		4	8502	Maintained Momentary	5	20	12	4	15	15
					4	18	10	2	11	8

Minimum Rating: "Intermediate Current" per MIL-S-3950

TOGGLE SWITCHES

STANDARD LEVER SELECTION TABLE



CIRCUIT WITH LEVER IN...			ONE POLE		TWO POLE		FOUR POLE	
Up Position	Center Position	Down Position (Keyway)	MS Part Number	Catalog Number	MS Part Number	Catalog Number	MS Part Number	Catalog Number
ON	OFF	ON	MS24523-21	8500K1	MS24524-21	8501K1	MS24525-21	8502K1
ON	NONE	OFF	-22	K9	-22	K9	-22	K9
ON	NONE	ON	-23	K4	-23	K4	-23	K4
ON	OFF	NONE	-24	K6	-24	K6	-24	K6
ON	OFF *	NONE	-25	K8	-25	K8	-25	K8
ON	NONE	ON *	MS24523-26	8500K5	MS24524-26	8501K5	MS24525-26	8502K5
*ON	OFF	ON *	-27	K2	-27	K2	-27	K2
NONE	OFF	ON *	-28	K7	-28	K7	-28	K7
ON	NONE	OFF *	-29	K10	-29	K10	-29	K10
OFF	NONE	ON *	-30	K11	-30	K11	-30	K11
ON	OFF	ON *	MS24523-31	8500K3	MS24524-31	8501K3	MS24525-31	8502K3
*ON	ON	NONE	-32	K12	-32	K12	-32	K12
ON	ON	NONE	-33	K13	-33	K13	-33	K13
ON	ON	ON	-	-	MS27407-1	8501K14	MS27406-1	8502K15
ON	ON	ON *	-	-	-2	K15	-2	K16
*ON	ON	ON *	-	-	-3	K16	-3	K17
ON	ON	ON	-	-	-4	K17	-	-
ON	ON	ON *	-	-	-5	K18	-	-
*ON	ON	ON *	-	-	-6	K19	-	-

* Momentary contact.
See Page 73 for circuit diagrams.

MILITARY—ENVIRONMENTALLY SEALED SWITCHES

Series—8503, 8504, 8505

MIL-S-3950 Lever Lock Switches

FEATURES	SPECIFICATIONS	CURRENT RATINGS								
		No. of Poles	Catalog Number	Type of Operation	28VDC			115VAC 60 or 400Hz		
Lamp Load	Resistive Load				Inductive Load	Lamp Load	Resistive Load	Inductive Load		
<ul style="list-style-type: none"> Environmentally sealed 1, 2, and 4 pole circuitry 2 & 3 position with maintained and momentary action Locking actuator for safety Molded-in terminal inserts and terminal numbers 	<ul style="list-style-type: none"> Environmentally sealed per MIL-S-3950 MS approved and OPL'd per MIL-S-3950 Thermoset molding materials meet flame retardant requirements of Bushing: 15/32" - 32 thread Temperature Range: -85°F to +160°F (-65°C to +71°C) Life: 20,000 operations at rated load 40,000 operations mechanical life 	1	8503	Maintained Momentary	5	20	15	3	15	10
					4	15	10	2	15	7
					7	20	15	4	15	15
		2	8504	Maintained Momentary	5	18	10	2	11	8
					4	18	10	2	11	8
		4	8505	Maintained Momentary	5	20	12	4	15	15
					4	18	10	2	11	8

Minimum Rating: "Intermediate Current" per MIL-S-3950

TOGGLE SWITCHES

LEVER LOCK SELECTION TABLE



CIRCUIT WITH LEVER IN...			ONE POLE		TWO POLE		FOUR POLE		
Up Position	Center Position	Down Position (Keyway)	Lever Lock Bushing Style	Flush Screw Terminals		Flush Screw Terminals		Flush Screw Terminals	
				MS Part Number	Catalog Number	MS Part Number	Catalog Number	MS Part Number	Catalog Number
ON →	← OFF →	← ON	A	MS24658-21A	8503K1	MS24659-21A	8504K1	MS24660-21A	8505K1
ON	← OFF →	← ON	B	-21B	K27	-21B	K27	-21B	K27
ON →	← OFF →	← ON	D	-21D	K5	-21D	K5	-21D	K5
ON	← OFF →	ON	E	-21E	K2	-21E	K2	-21E	K2
ON →	OFF	ON	F	-21F	K28	-21F	K28	-21F	K28
ON	OFF	← ON	G	MS24658-21G	8503K3	MS24659-21G	8504K3	MS24660-21G	8505K3
ON →	OFF →	ON	H	-21H	K29	-21H	K29	-21H	K29
ON	← OFF →	← ON	J	-21J	K30	-21J	K30	-21J	K30
ON →	← OFF →	ON	K	-21K	K31	-21K	K31	-21K	K31
ON	OFF →	ON	L	-21L	K32	-21L	K32	-21L	K32
ON →	← OFF	ON	M	MS24658-21M	8503K33	MS24659-21M	8504K33	MS24660-21M	8505K33
ON	← OFF	ON	N	-21N	K4	-21N	K4	-21N	K4
ON	OFF →	← ON	P	-21P	K34	-21P	K34	-21P	K34
ON →	← OFF	← ON	D	-22D	K10	-22D	K10	-22D	K10
ON →	NONE	← OFF	F	-22F	K35	-22F	K35	-22F	K35
ON	← OFF	ON	G	MS24658-22G	8503K9	MS24659-22G	8504K9	MS24660-22G	8505K9
ON →	NONE	← ON	D	-23D	K6	-23D	K6	-23D	K6
ON →	NONE	ON	F	-23F	K36	-23F	K36	-23F	K36
ON	← OFF	← ON	G	-23G	K7	-23G	K7	-23G	K7
ON	← OFF	NONE	E	-24E	K16	-24E	K16	-24E	K16
ON →	OFF	NONE	F	MS24658-24F	8503K37	MS24659-24F	8504K37	MS24660-24F	8505K37
ON →	← OFF →	NONE	K	-24K	K38	-24K	K38	-24K	K38
ON →	← OFF →	NONE	M	-24M	K11	-24M	K11	-24M	K11
ON →	OFF *	NONE	F	-25F	K22	-25F	K22	-25F	K22
ON →	NONE	ON *	F	-26F	K20	-26F	K20	-26F	K20
* ON	← OFF →	ON *	E	MS24658-27E	8503K12	MS24659-27E	8504K12	MS24660-27E	8505K12
* ON	OFF →	ON *	L	-27L	K39	-27L	K39	-27L	K39
* ON	← OFF →	ON *	N	-27N	K14	-27N	K14	-27N	K14
NONE	OFF →	ON *	E	-28E	K15	-28E	K15	-28E	K15
ON →	NONE	OFF *	F	-29F	K21	-29F	K21	-29E	K21
OFF →	NONE	ON *	F	MS24658-30F	8503K19	MS24659-30F	8504K19	MS24660-30F	8505K19
ON	← OFF →	ON *	E	-31E	K18	-31E	K18	-31E	K18
ON →	OFF	ON *	F	-31F	K40	-31F	K40	-31F	K40
ON →	← OFF →	ON *	K	-31K	K41	-31K	K41	-31K	K41
ON	OFF →	ON *	L	-31L	K13	-31L	K13	-31L	K13

* Momentary contact.
→ Indicates direction against which lever is locked.

See page 73 for circuit diagrams.
① Reference bushing styles on Page 34.

X-ON Electronics

Largest Supplier of Electrical and Electronic Components

Click to view similar products for [Toggle Switches](#) category:

Click to view products by [Safran Labinal Power Systems](#) manufacturer:

Other Similar products are found below :

[8A1-C-222](#) [60012L](#) [6006L](#) [6663](#) [7101MD9V30GE](#) [7101SPDV30BE](#) [7103SDV30BE](#) [7105D](#) [7108P3YAV2BE](#) [71YY50282](#)
[7201MD9AVBE](#) [7301K38](#) [7306K36](#) [7310K36](#) [7314K36](#) [7506K4](#) [7592K6](#) [7691K14](#) [7700K1](#) [8396K108](#) [8824K14](#) [8828K13](#) [G2VX](#) [G3VX](#)
[PS83-121G](#) [A101MD9AB04](#) [A101SD9AB04](#) [A101SDCQ04](#) [A103SD9AQ04](#) [A107TZB04](#) [A123P32YZQ](#) [A123S1YZG](#) [A127S1YCQ](#) [1-](#)
[1825192-0](#) [A131S1YZQ](#) [A201SCWZB04](#) [A207SYCB04](#) [A208J61ZQ0004](#) [A221K12KAG](#) [A221S1YZQ](#) [A221T1TCQ](#) [A232K12KZQ](#)
[A232M1YCQ](#) [A323S1CWZQ](#) [A423S1CWZG-M8](#) [A423S1YZQ](#) [12149A-3V](#) [12156AX408](#) [12147AGKX679](#) [12149AD2G0383VX408](#)