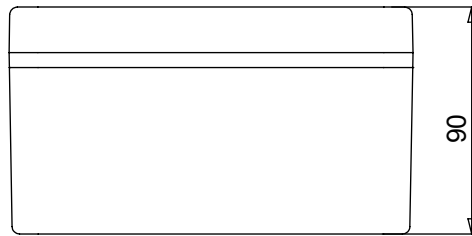
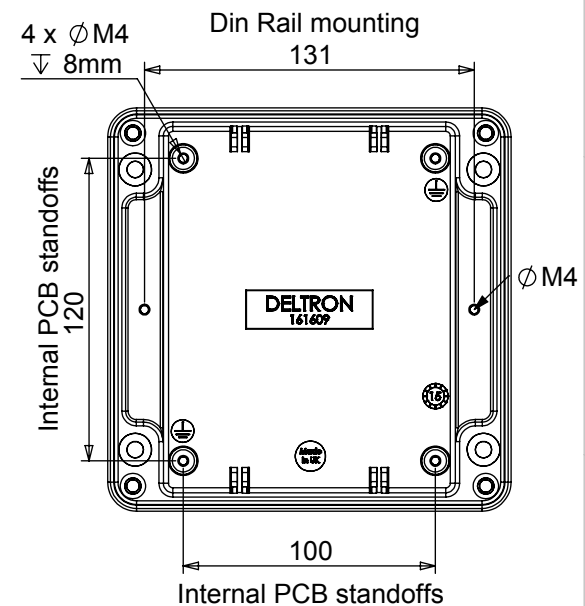
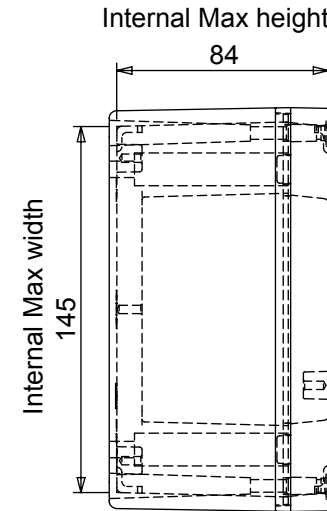
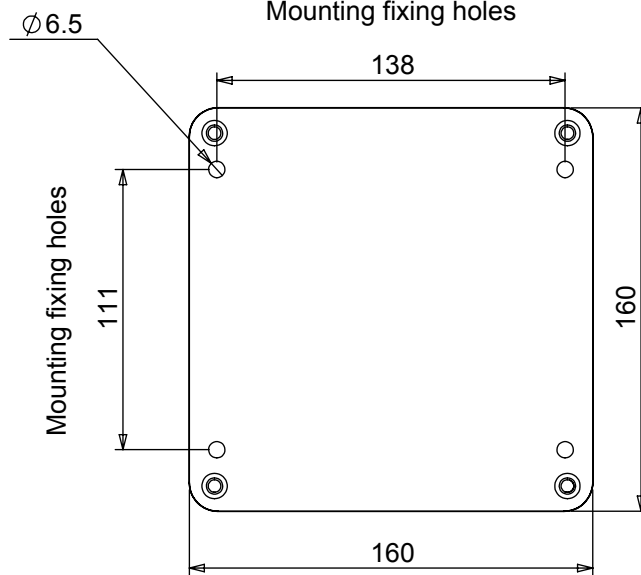
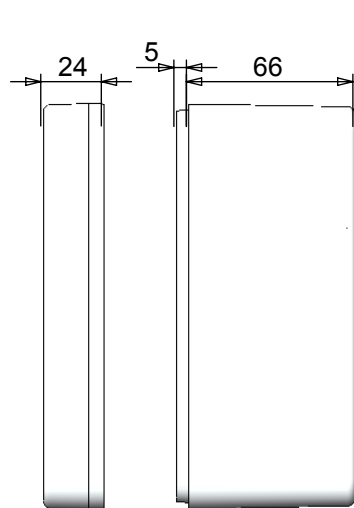


Length	Width	Height	Un-Painted	Powder Coat	Nylon Coat
160	160	90	486-161609	487-161609*	488-161609*
Box Dimensions in mm			Colour Option - Colour suffix * - Grey= A / Blue= B / Black= E		



Die cast aluminium enclosure sealed to

- Min enclosure wall thickness 3mm
- Min enclosure lid thickness 3mm
- PCB maximum dimensions 111mm length 1.7mm width
- Enclosures can be supplied Machined to your specifications
- Made in the UK



Tel No. +44(0)1724 273200 Website www.dem-uk.com



PROPRIETARY AND CONFIDENTIAL
 THE INFORMATION CONTAINED IN THIS DRAWING IS THE SOLE PROPERTY OF
 ALPHA 3 MANUFACTURING.
 ANY REPRODUCTION IN PART OR AS A WHOLE WITHOUT THE WRITTEN PERMISSION OF
 ALPHA 3 MANUFACTURING IS PROHIBITED.
 DEM Manufacturing, Deltron Emcon House
 Hargreaves Way, Sawcliffe Ind. Park,
 Scunthorpe, North Lincolnshire, DN15 8RF, UK

UNLESS OTHERWISE SPECIFIED:
 DIMENSIONS ARE IN MILLIMETRES.
 TOLERANCE:
NO DECIMAL PLACES ±0.2mm
1 DECIMAL PLACE ±0.1mm
2 DECIMAL PLACES ±0.05mm
ANGULAR TOLERANCE: ±1°

FINISH - See paint code for colour
 DEBURR AND BREAK SHARP EDGES
 DRAWN BY SPB
 APPROVED BY WC
 THIRD ANGLE PROJECTION
 IF IN DOUBT ASK
 DO NOT SCALE DRAWING
 MATERIAL LM24/LM2

SCALE 1:3
 A4

SHEET 1 OF 1
 SCALE 1:3
 A4

TITLE Heavy Duty Die-Cast Enclosure
 DRAWING NO. 486-161609
 ISSUE 02
 Release

X-ON Electronics

Largest Supplier of Electrical and Electronic Components

Click to view similar products for [deltron](#) manufacturer:

Other Similar products are found below :

[610-0700](#) [651-0800](#) [342-0000](#) [W127G](#) [066541F](#) [066542D](#) [W205C](#) [W106C](#) [611-0700](#) [717-0400](#) [456-0020](#) [460-0070](#) [479-0020-5](#) [486-121209-66](#) [480-C010](#) [490-170805E-68](#) [459-0080](#) [459-0140](#) [590-0700](#) [MDU14S](#) [4MP2616](#) [461-0050](#) [571-0400-01](#) [480-C040](#) [462-0020E](#) [4DR3522](#) [487-261612E-66](#) [486-261609-68](#) [466-0050](#) [356-0200](#) [702-0500](#) [711-0500](#) [552-0600](#) [WHT](#) [800-0400](#) [487-261609E-66](#) [487-221209E-68](#) [462-0040A](#) [461-0070](#) [456-0030](#) [461-0070E](#) [490-040503A-68](#) [486-S68-2616](#) [4ELM6](#) [483-0100](#) [483-0030](#) [480-0010](#) [466-0150](#) [455-0020](#) [461-0030](#) [461-0090](#)